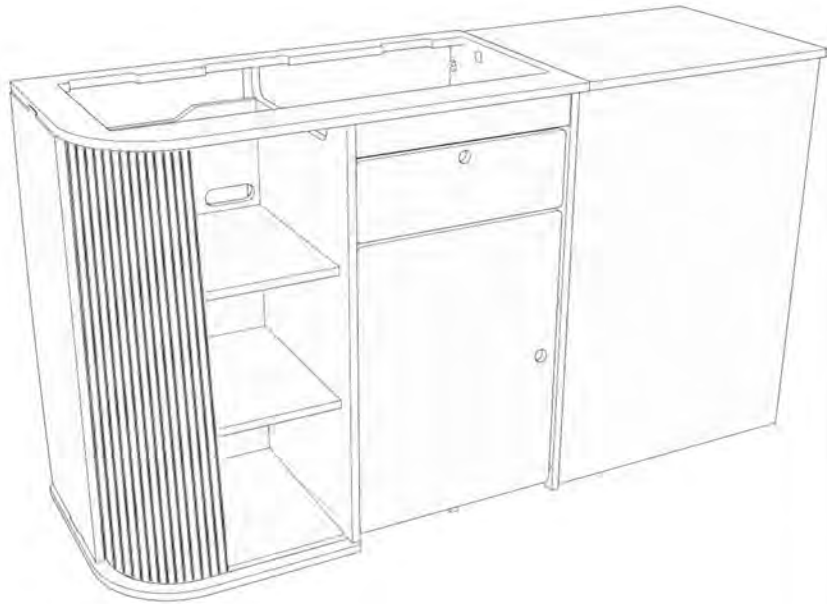

















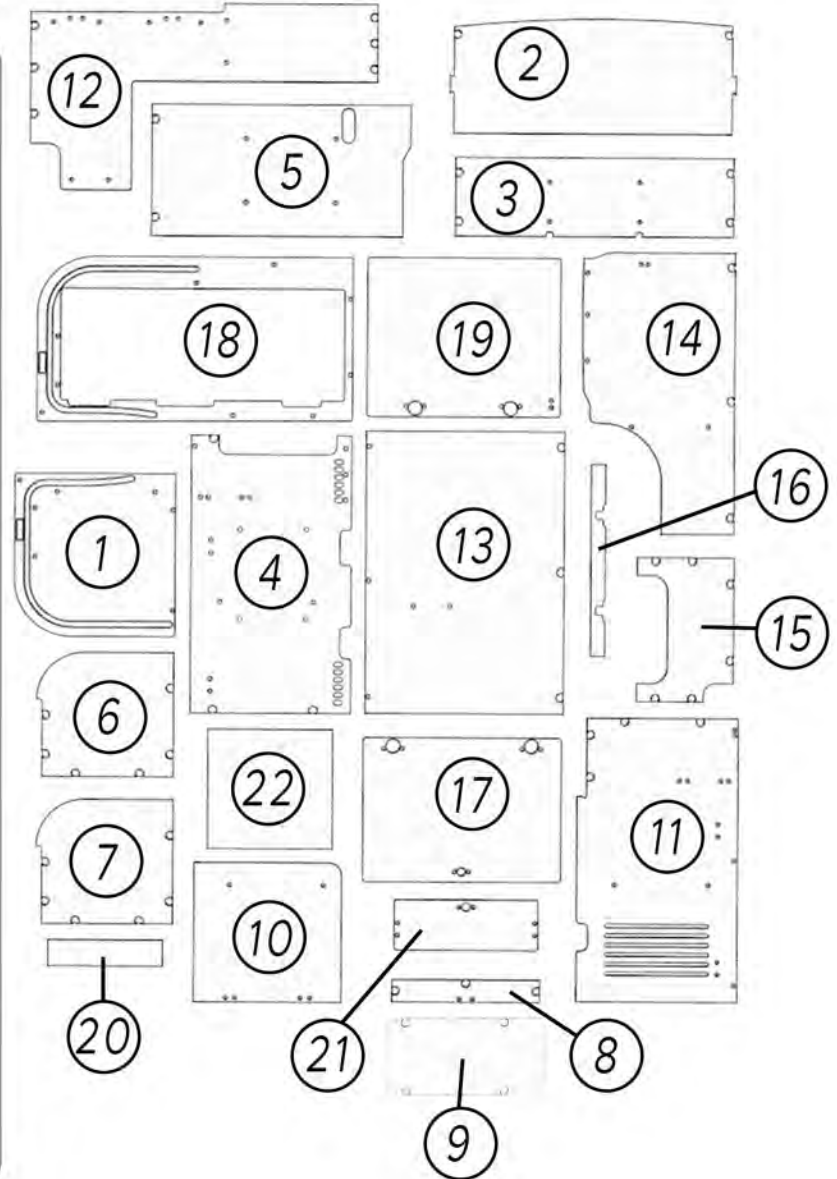
SWB-curved Coastline

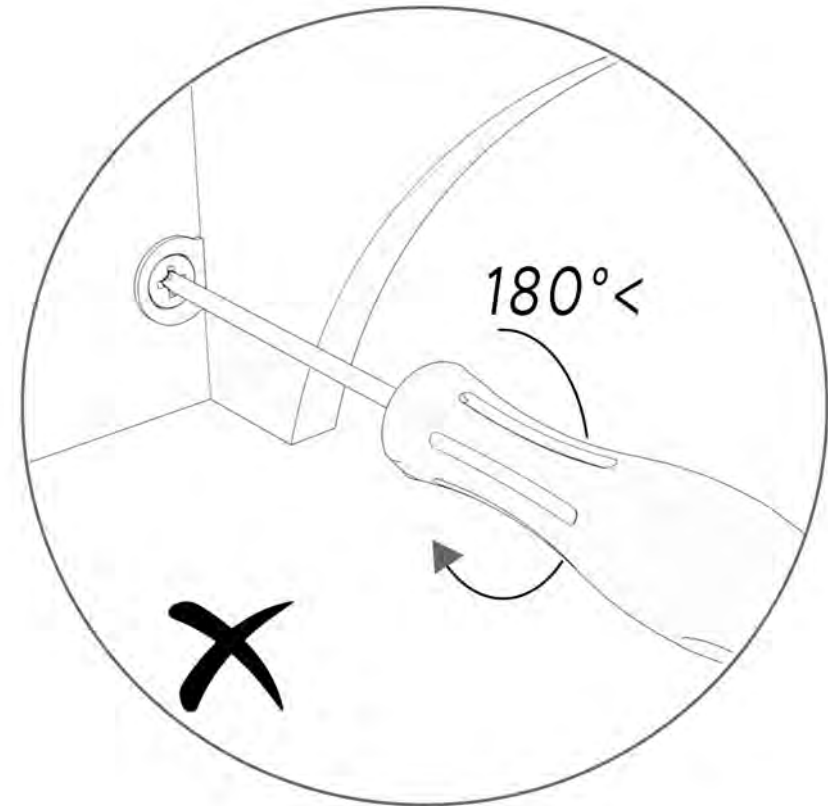
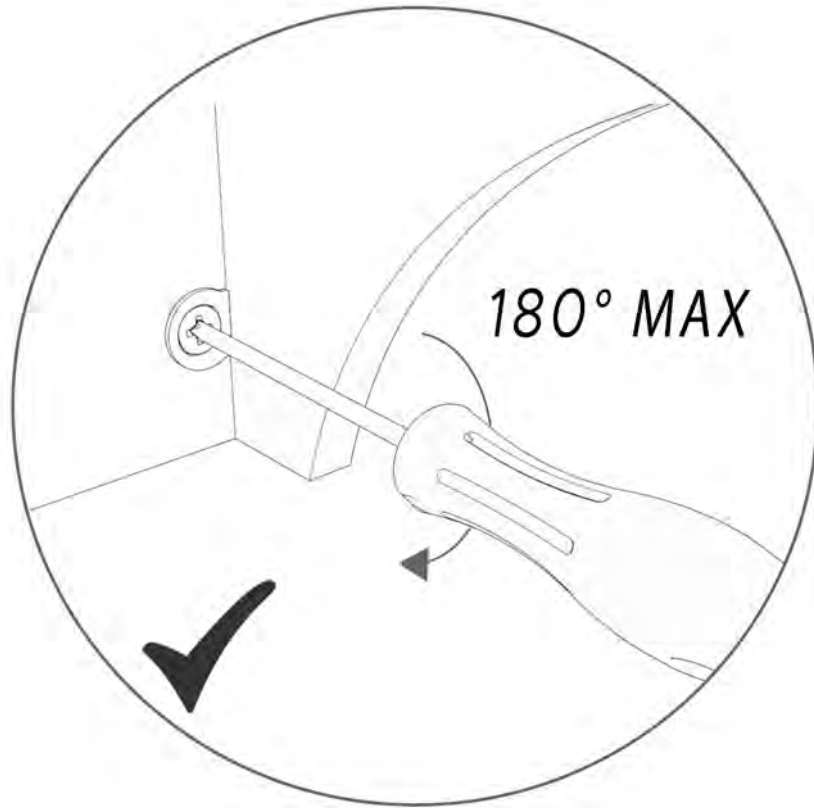


Kitline Design
Flatpack Campervan Units



- | | |
|--|---|
|  40x (A) 8mm Grommet |  52x (B) One Fix |
|  40x (C) 15mm screws |  2x (D) Push button Case |
|  2x (E) Push Button Rosette |  2x (F) Push button |
|  4x (I) Mounting Plate |  1x (H) striker plate |
|  2x (N) (450) Tambour Track |  4x (P) Flat Hinge |
|  1x (M) striker plate flat |  1x (L) Tambour door Curved |
|  2x (Q) ScrewBlock |  2x (R) ScrewBlock Cap |
|  2x (G) Cranked Hinge | |



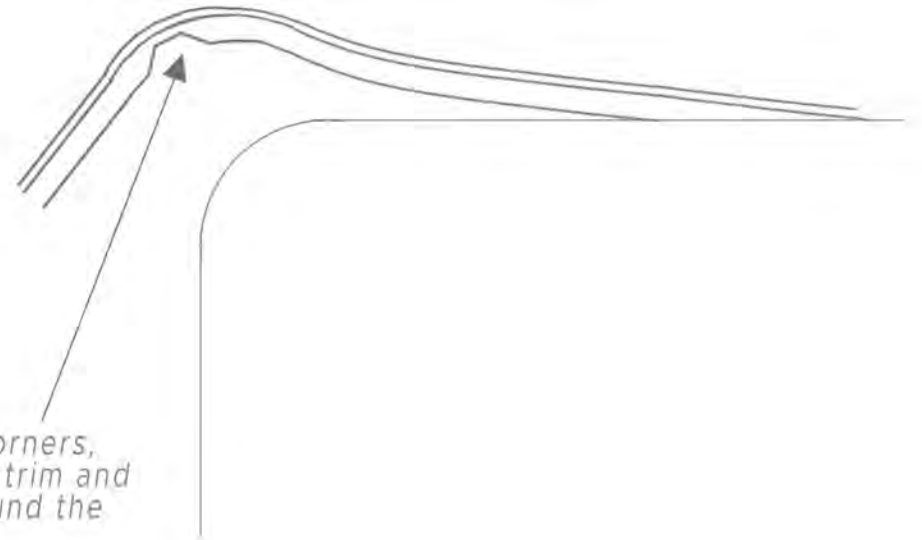
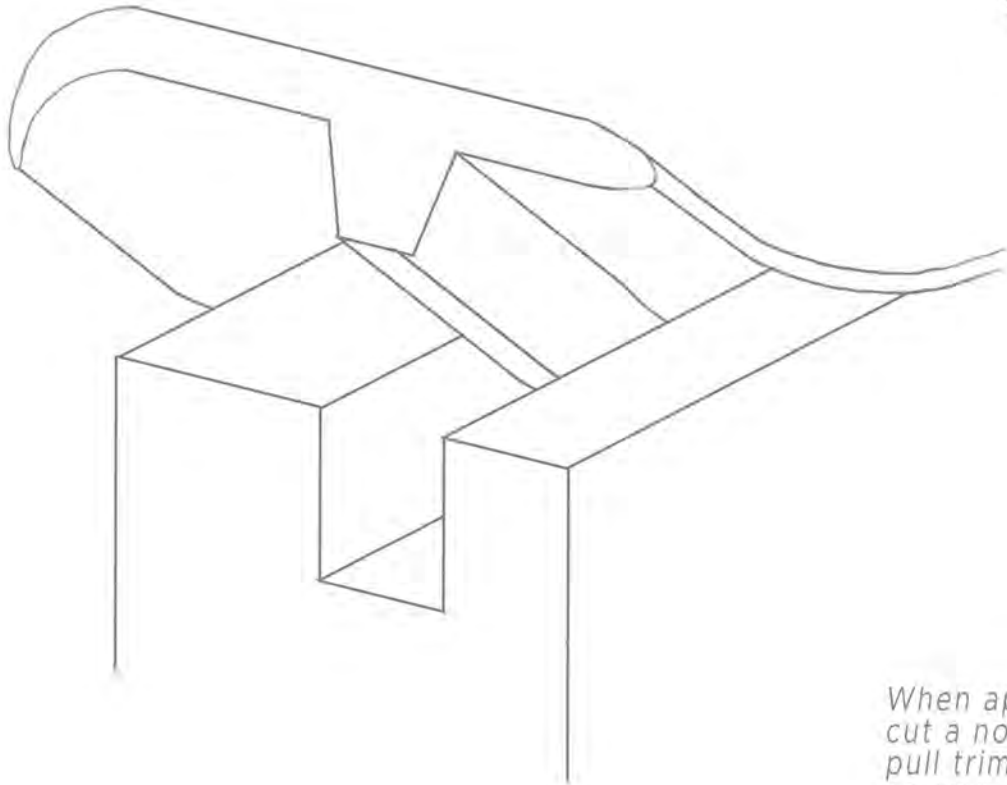
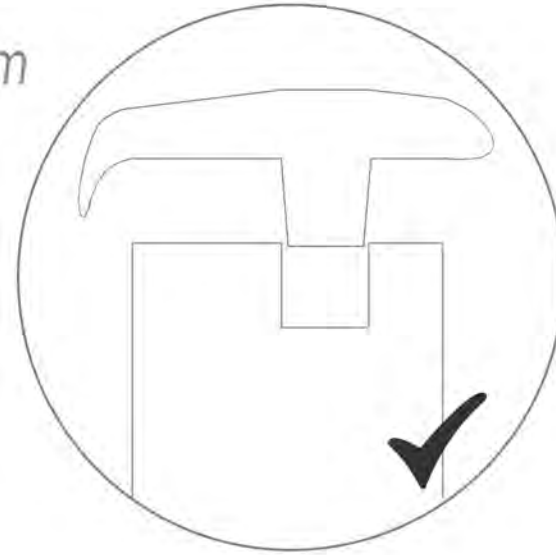


*Do not over tighten Onefix
Connectors!*

1.

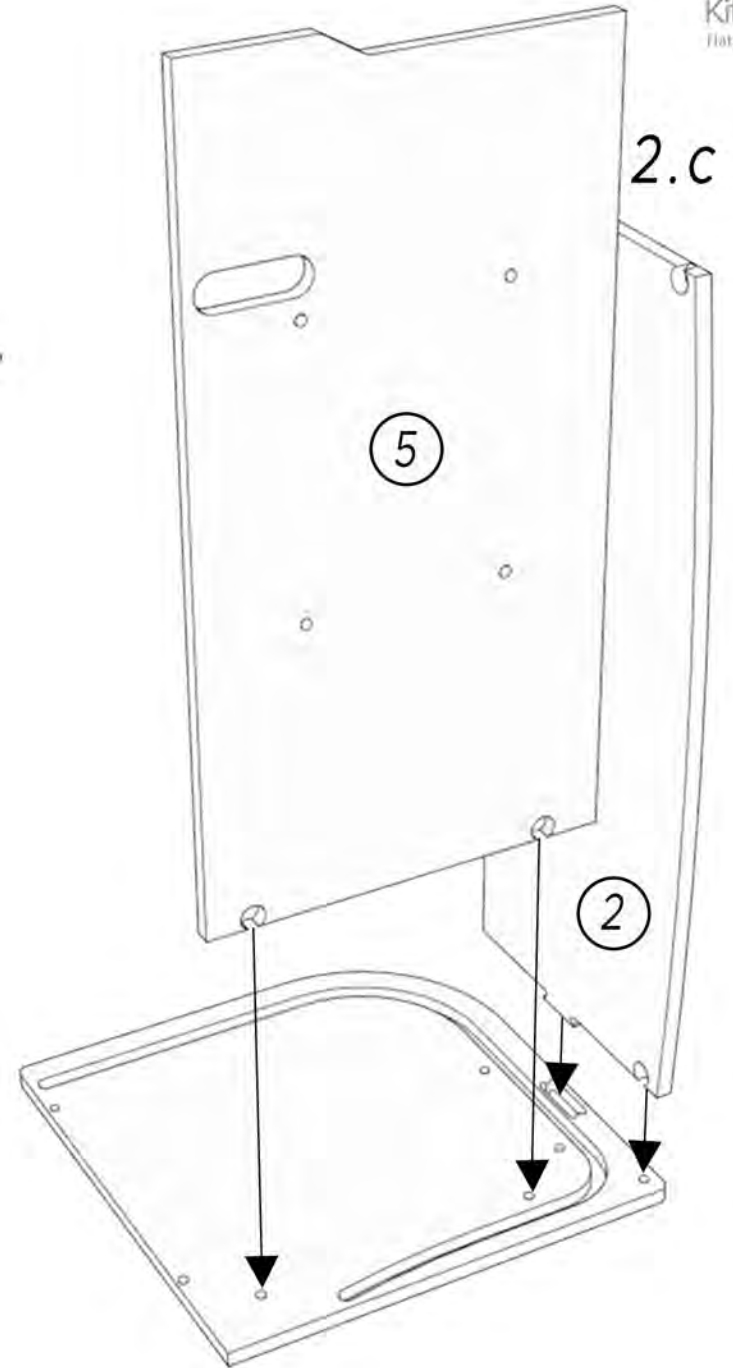
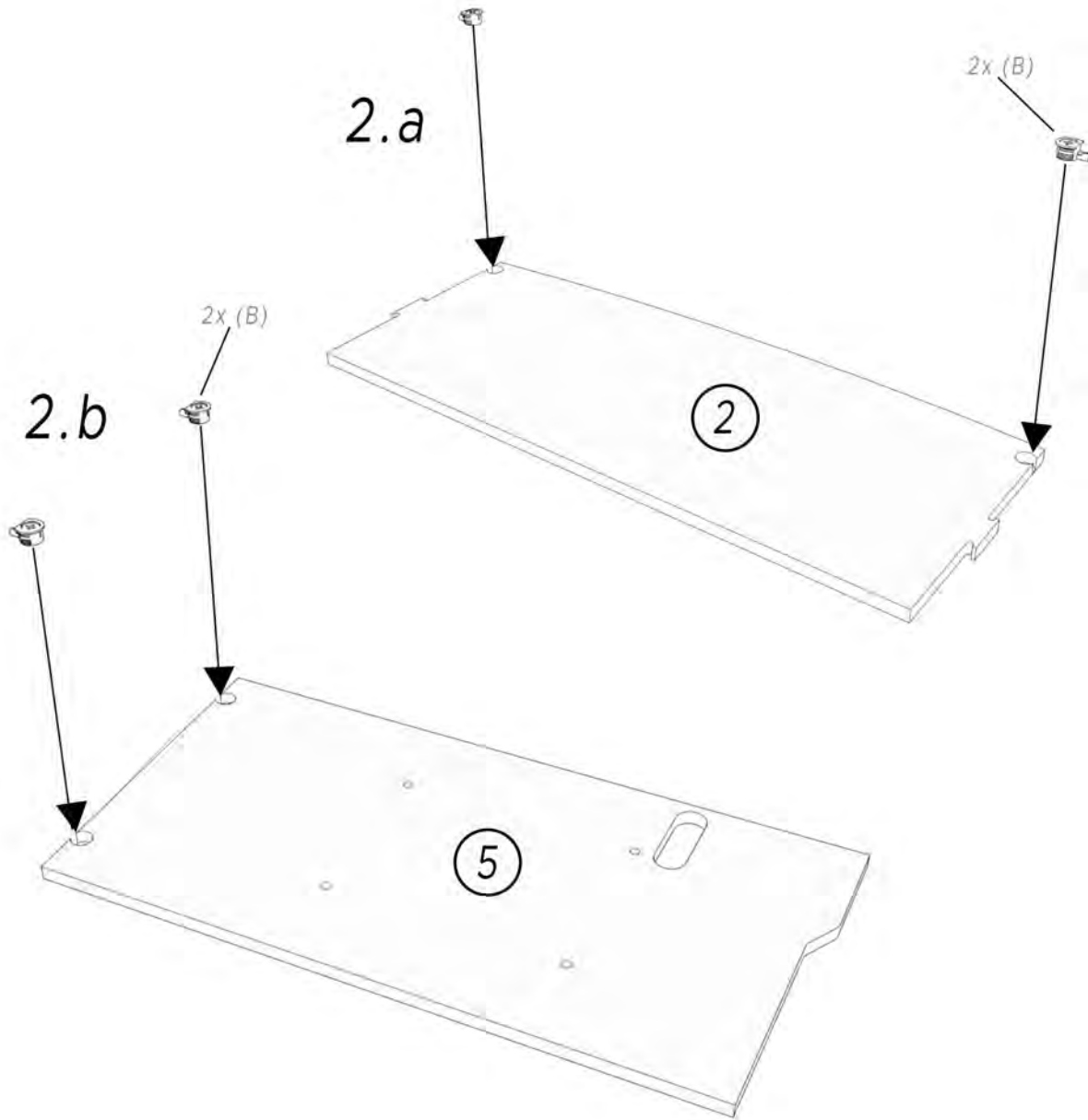
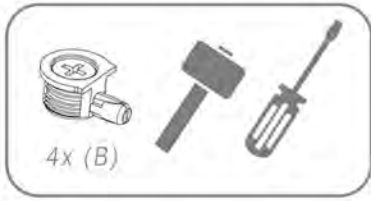


All pieces should have T-Trim applied before assembly!

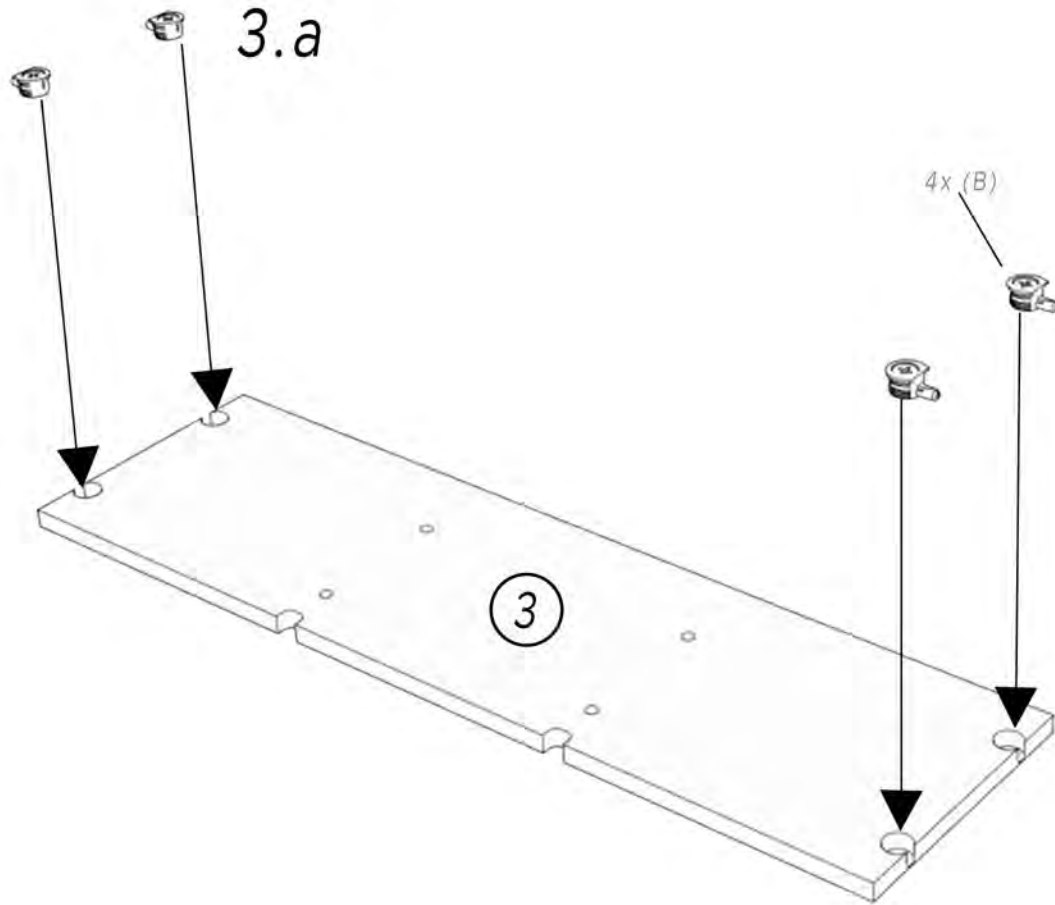
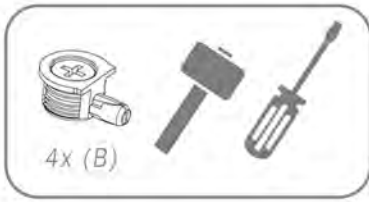


When applying to corners, cut a notch into the trim and pull trim tightly around the corner.

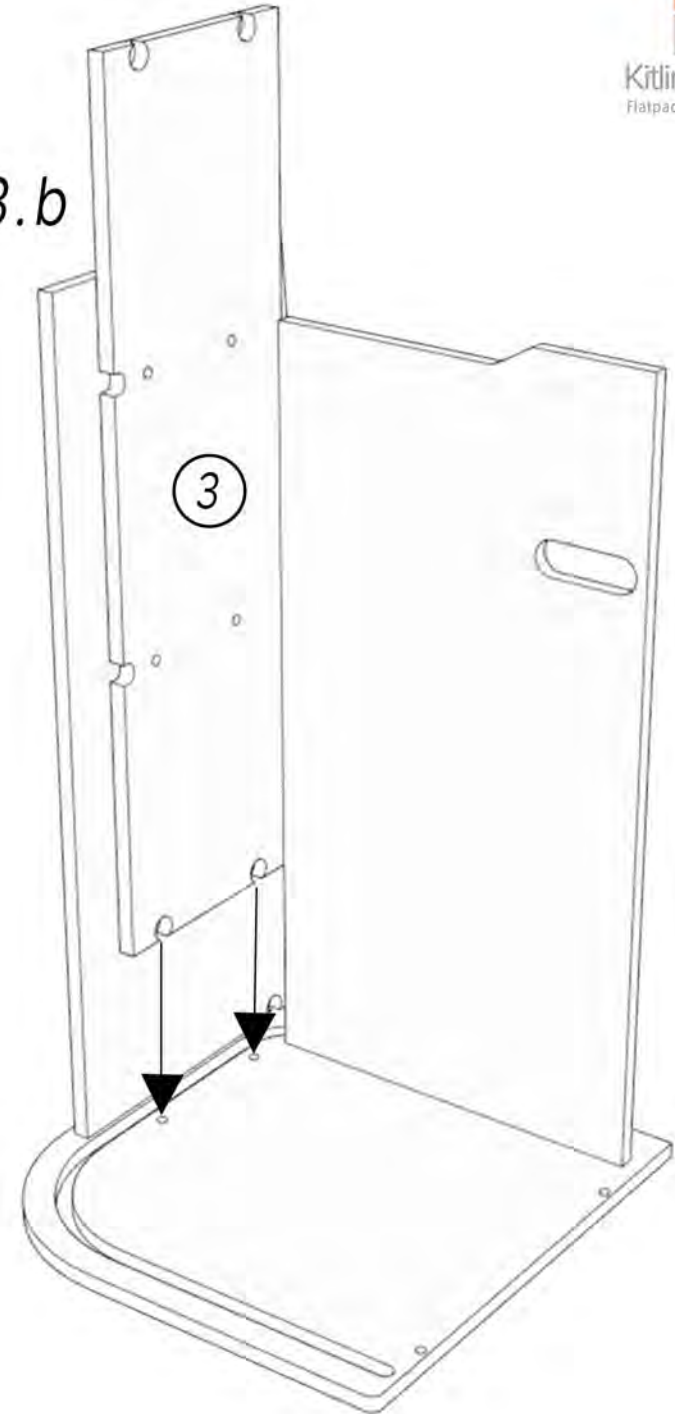
2.



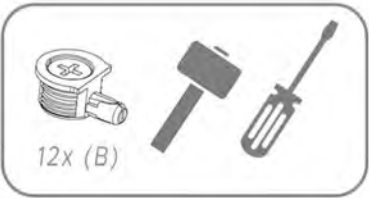
3.



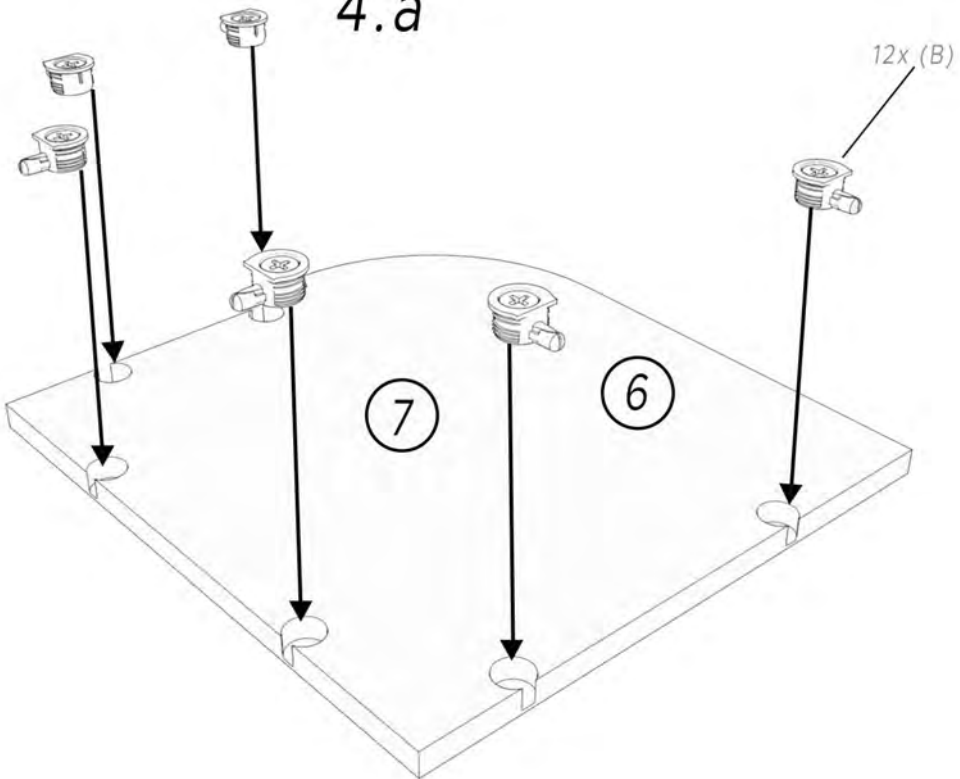
3.b



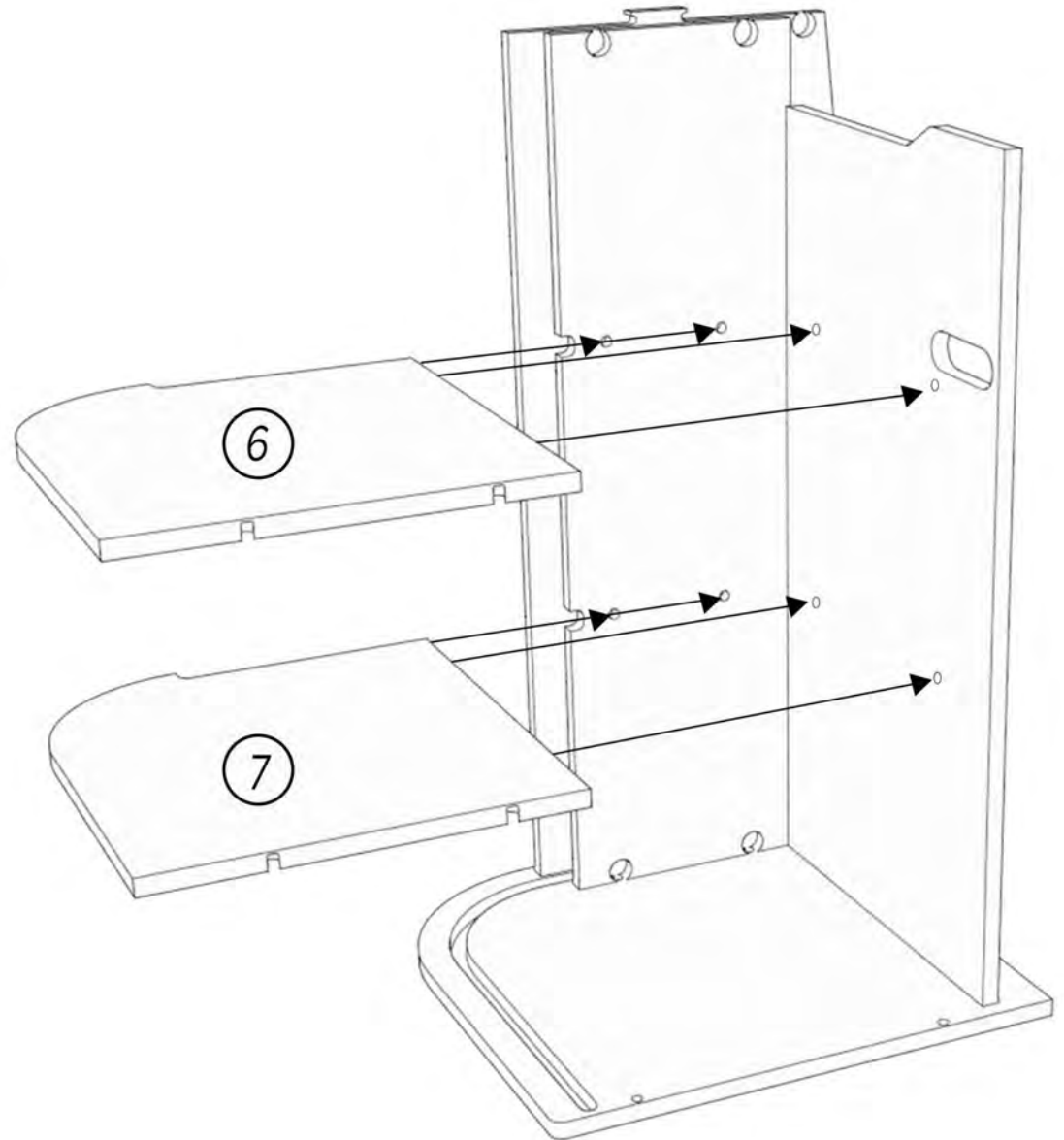
4.



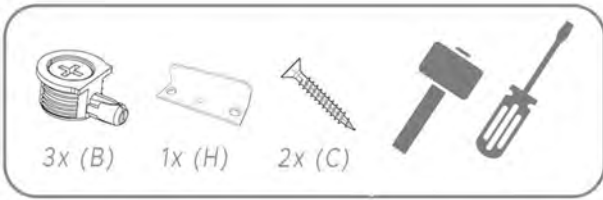
4.a



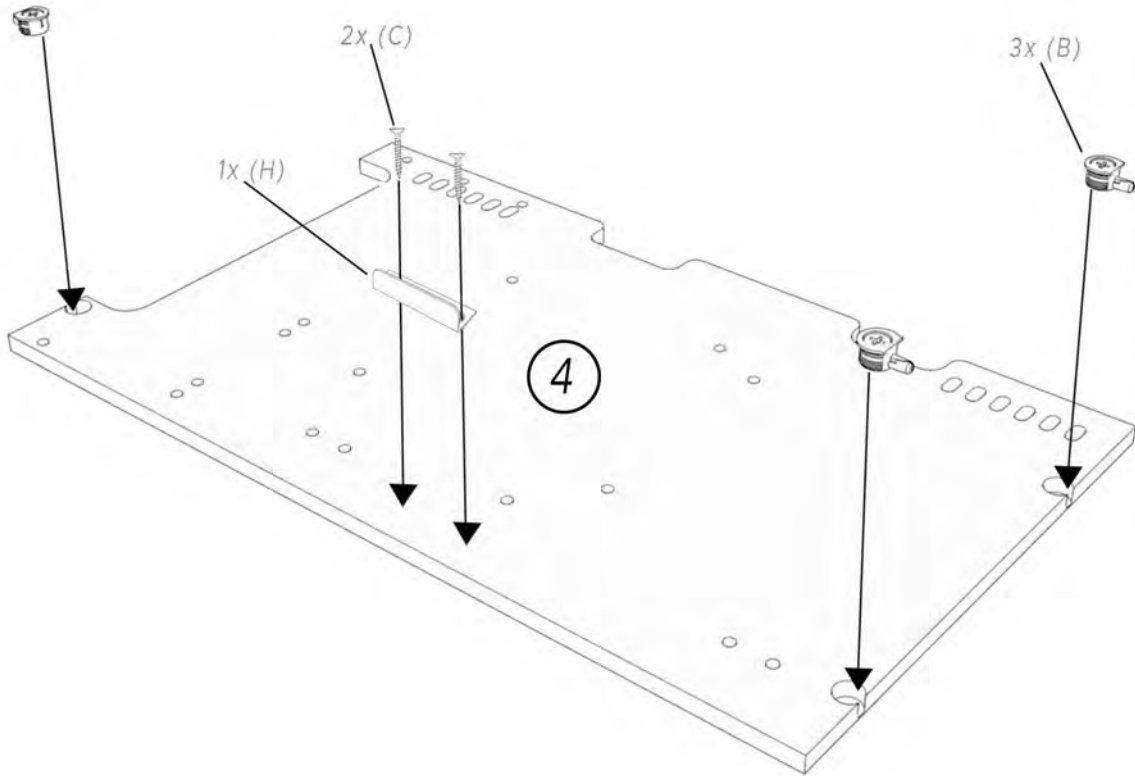
4.b



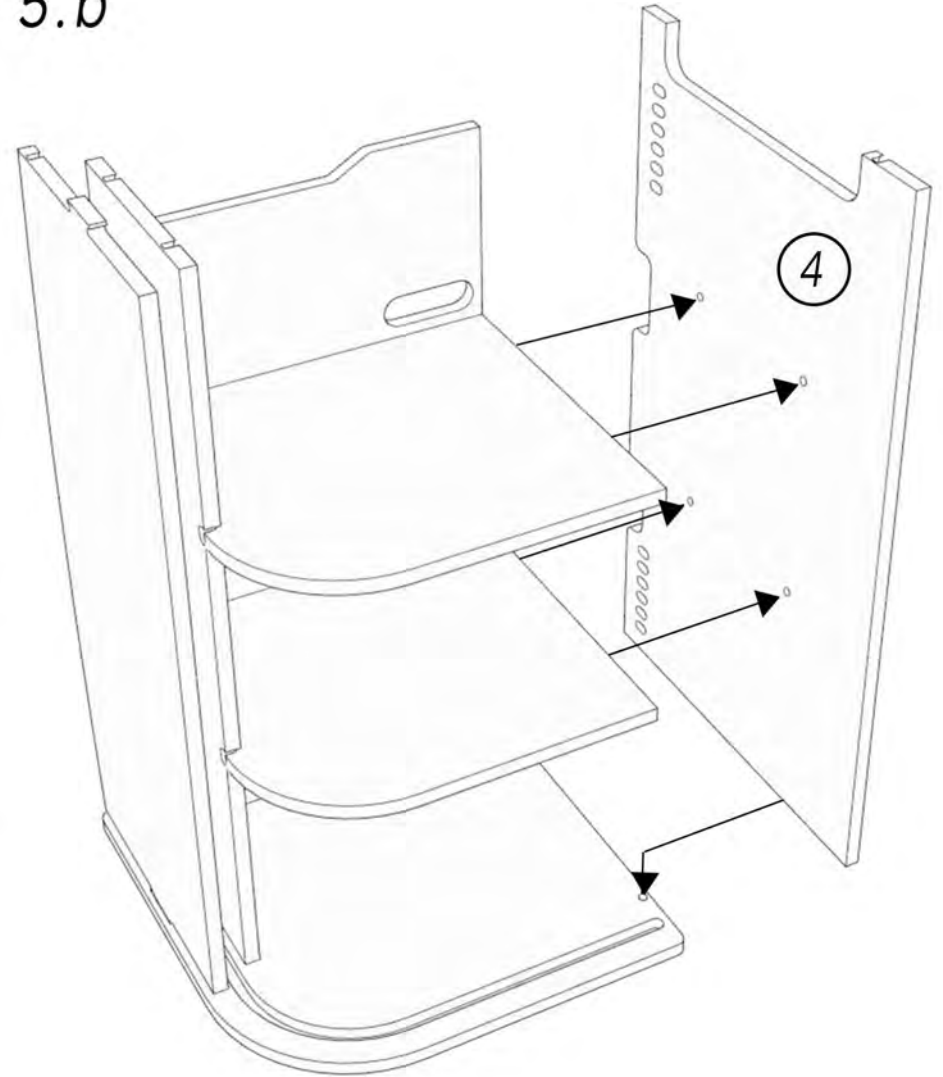
5.



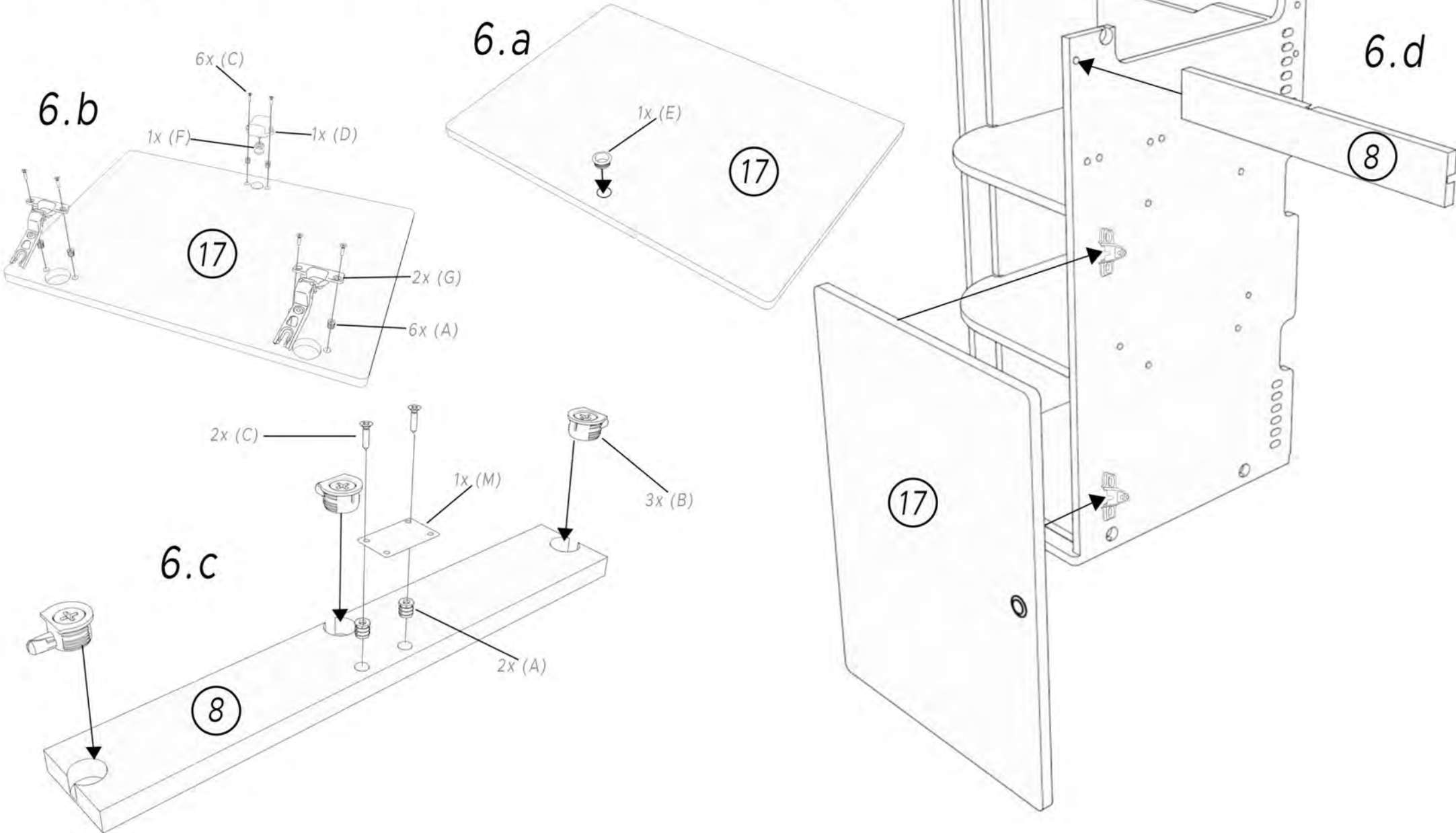
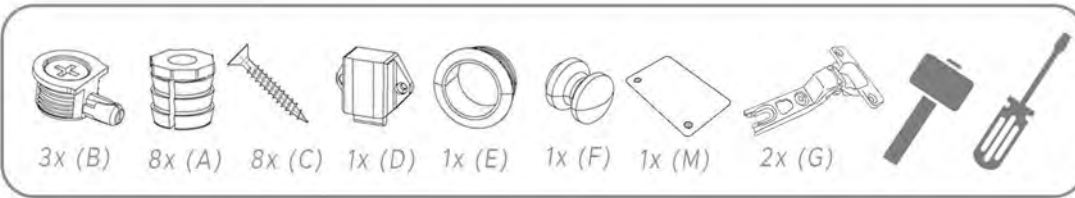
5.a



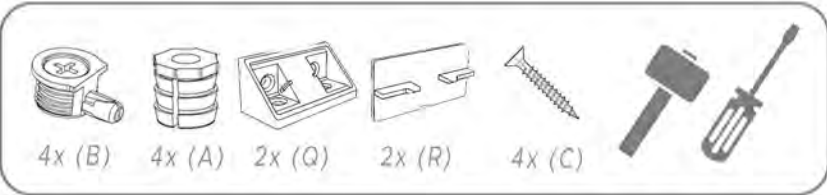
5.b



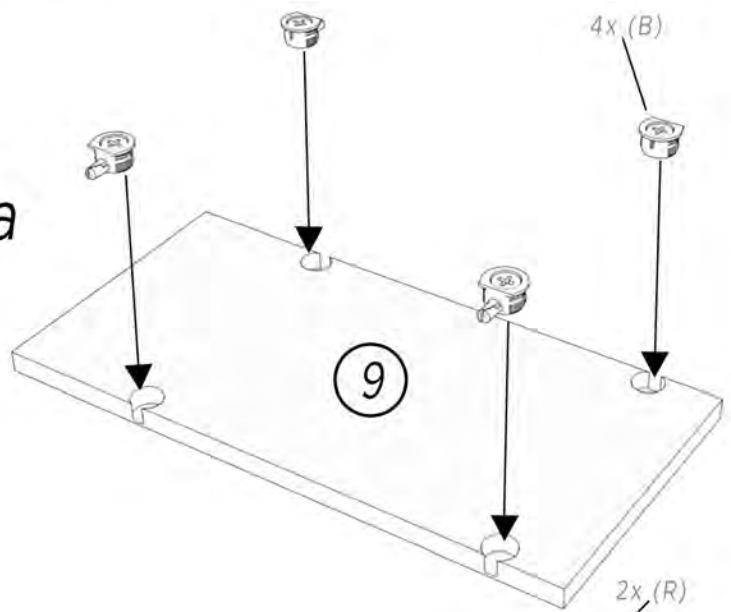
6.



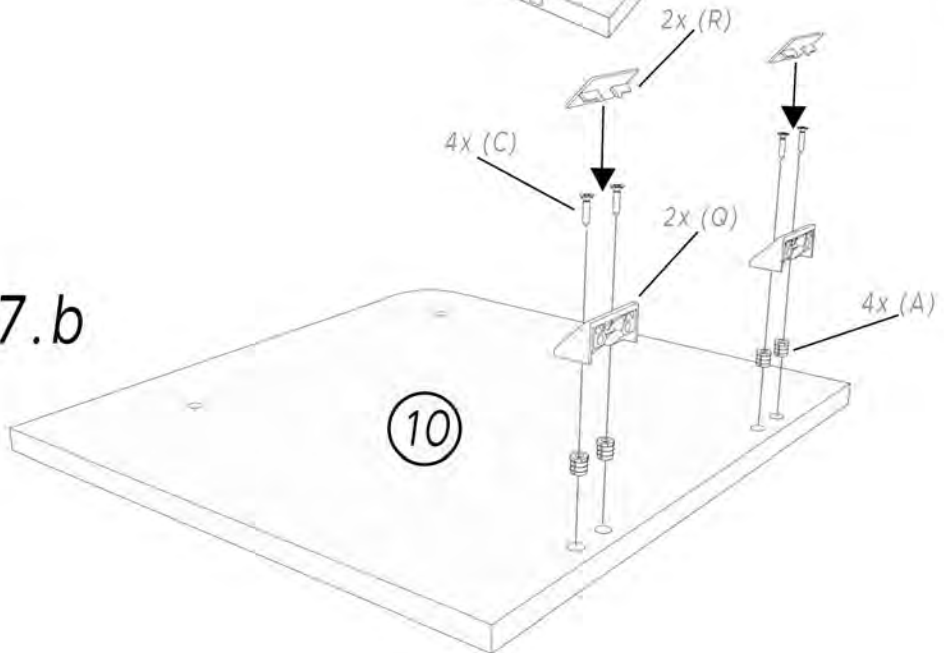
7.



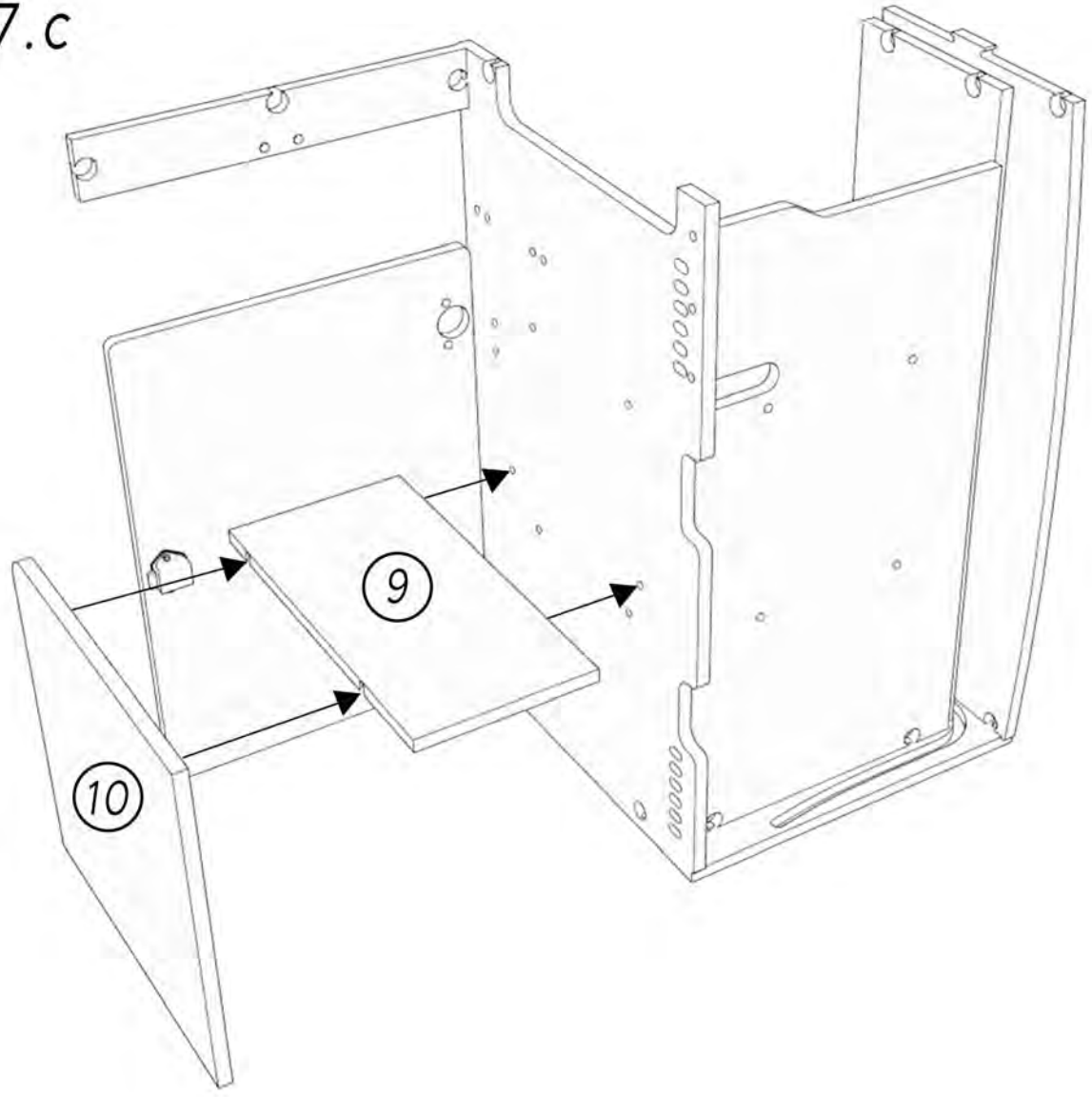
7.a



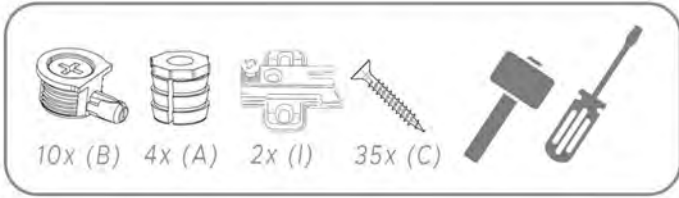
7.b



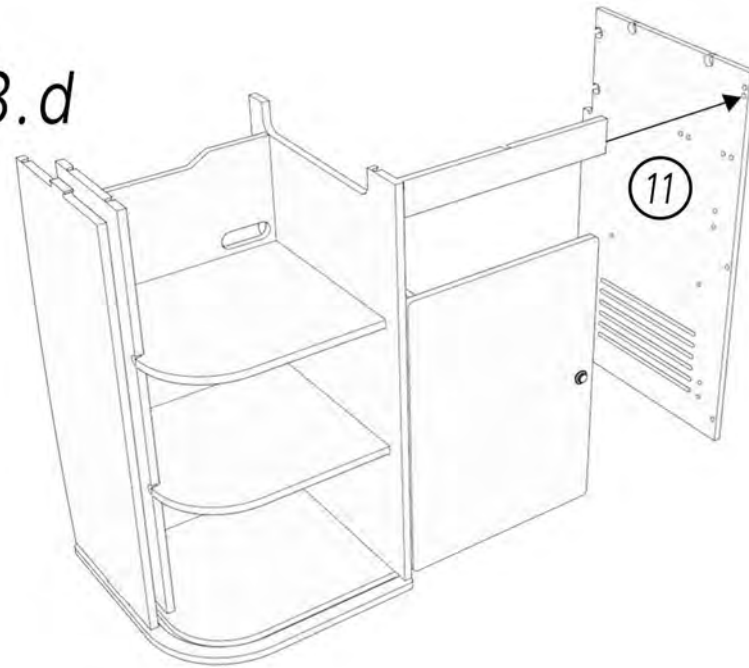
7.c



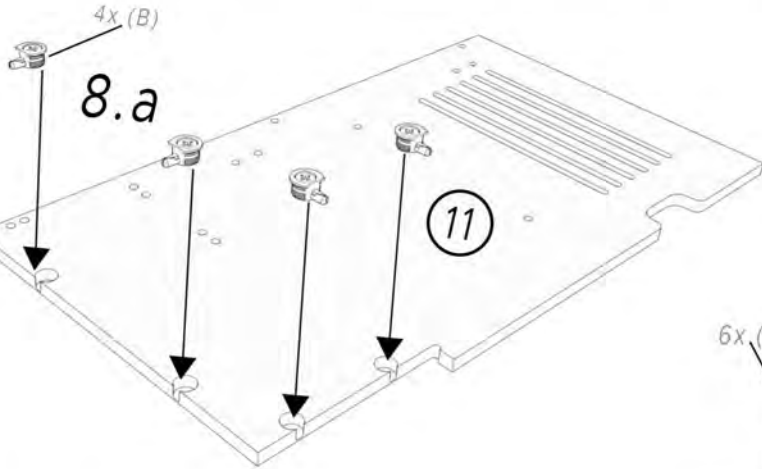
8.



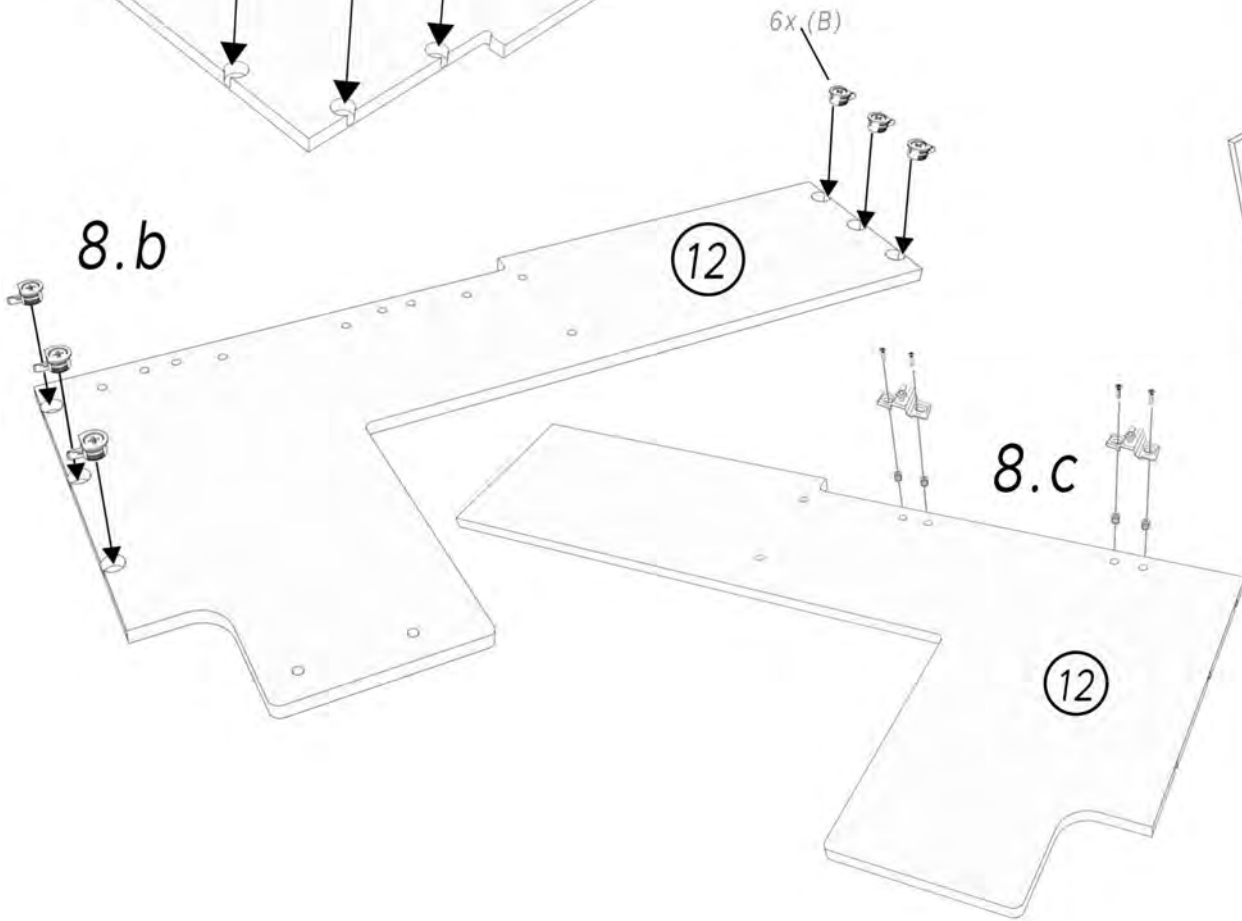
8.d



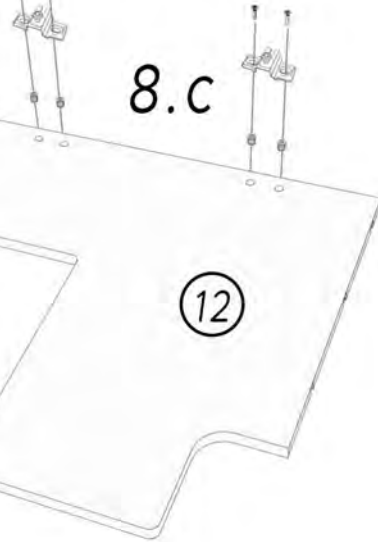
8.a



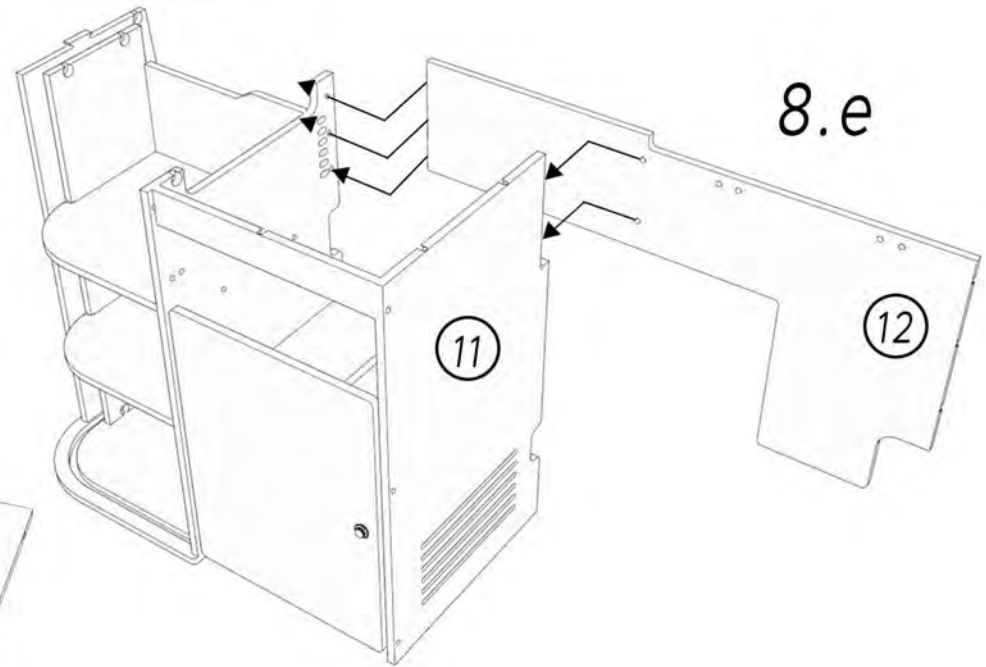
8.b



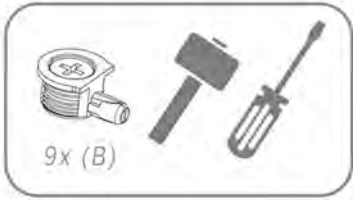
8.c



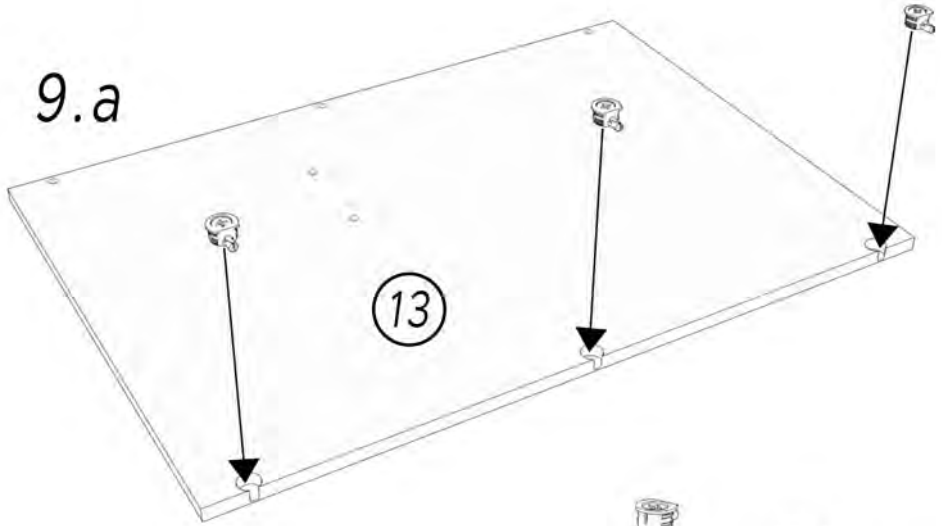
8.e



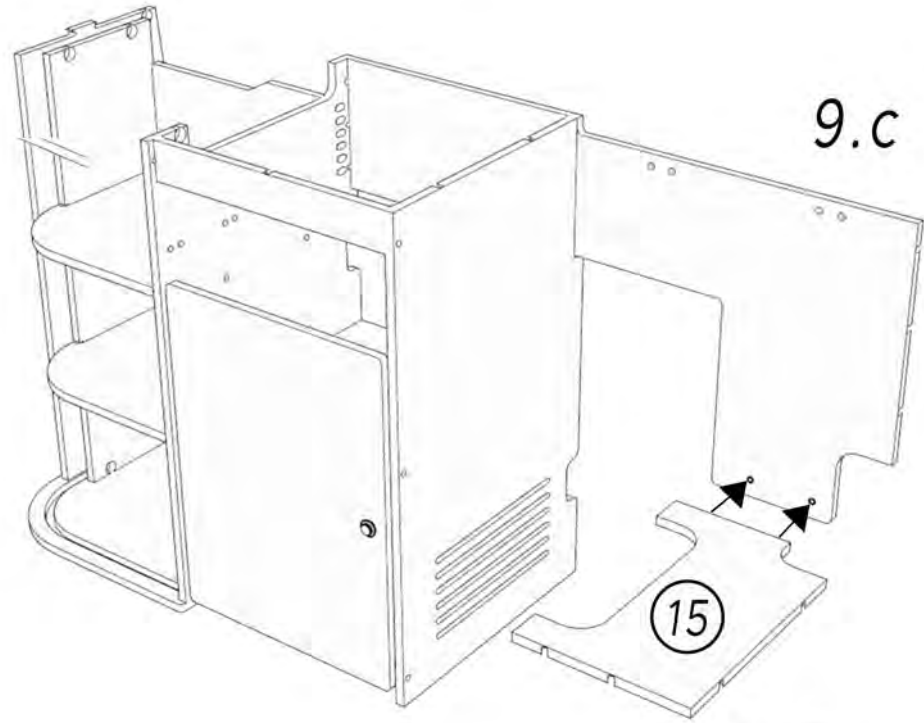
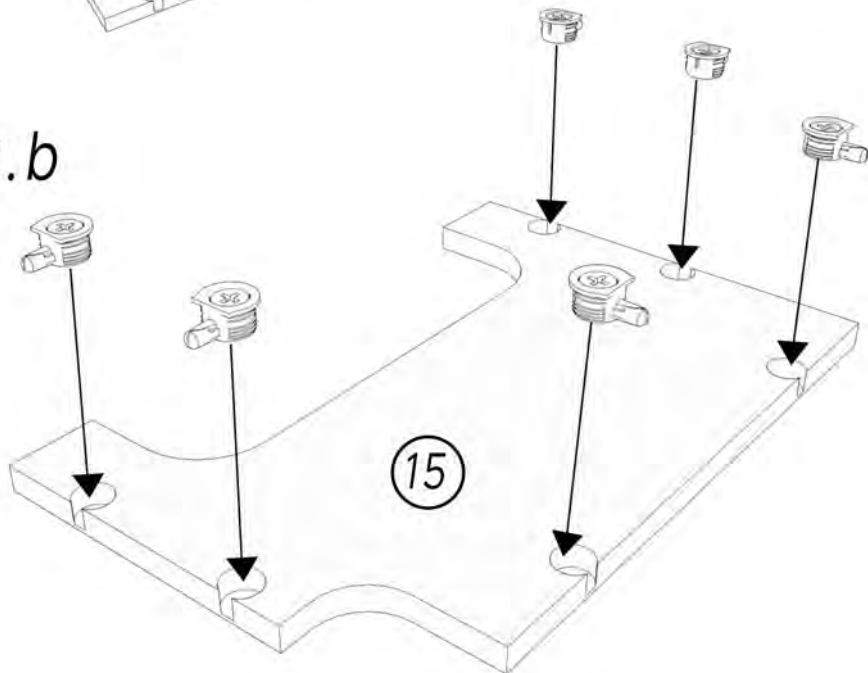
9.



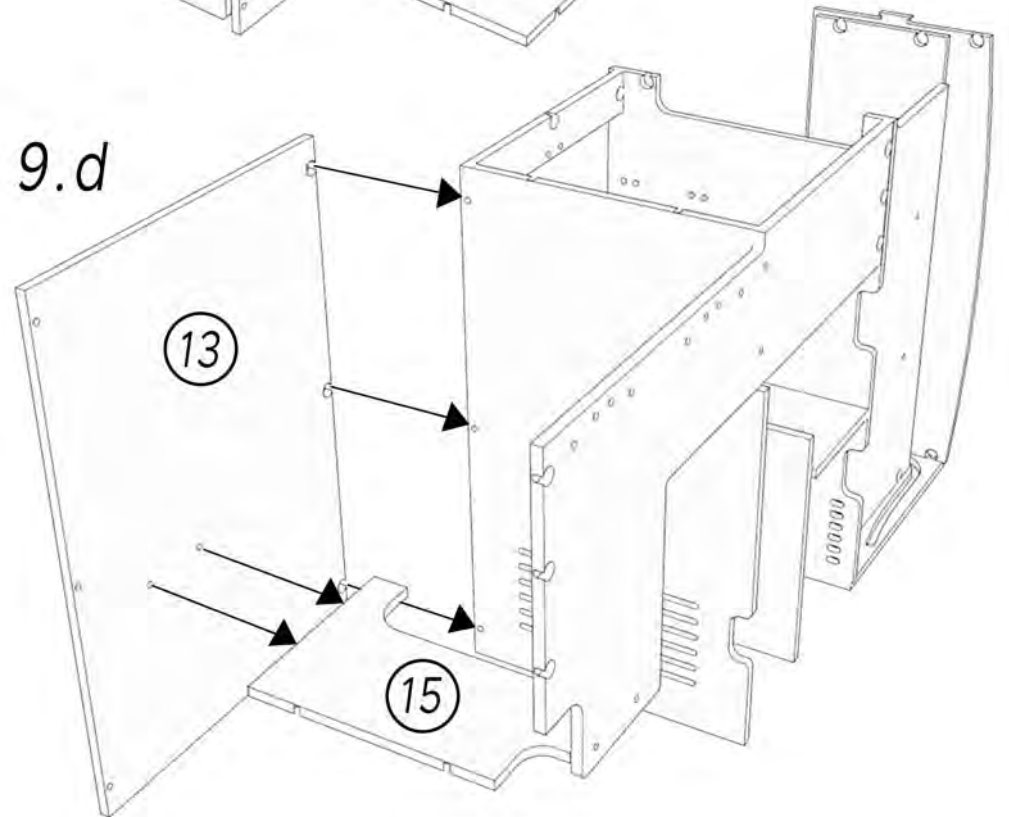
9.a



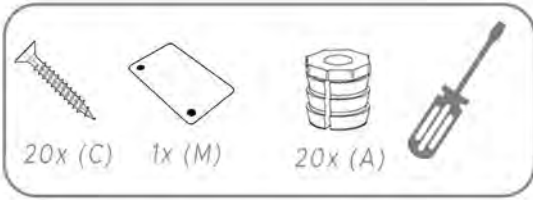
9.b



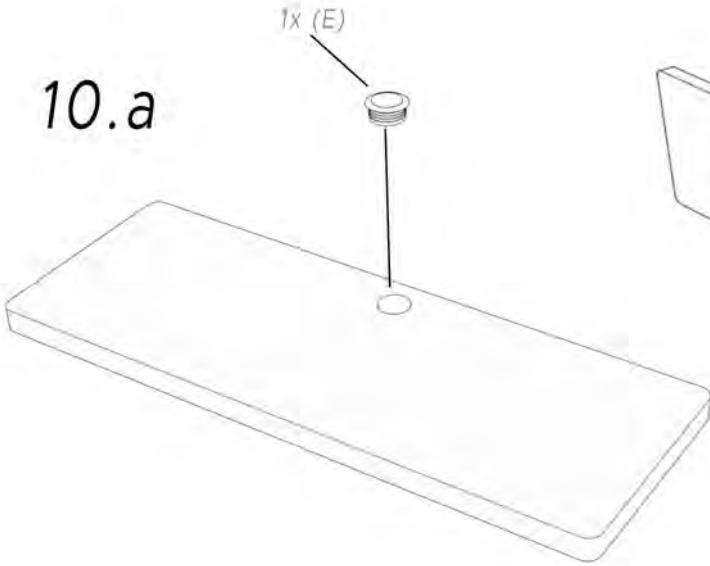
9.d



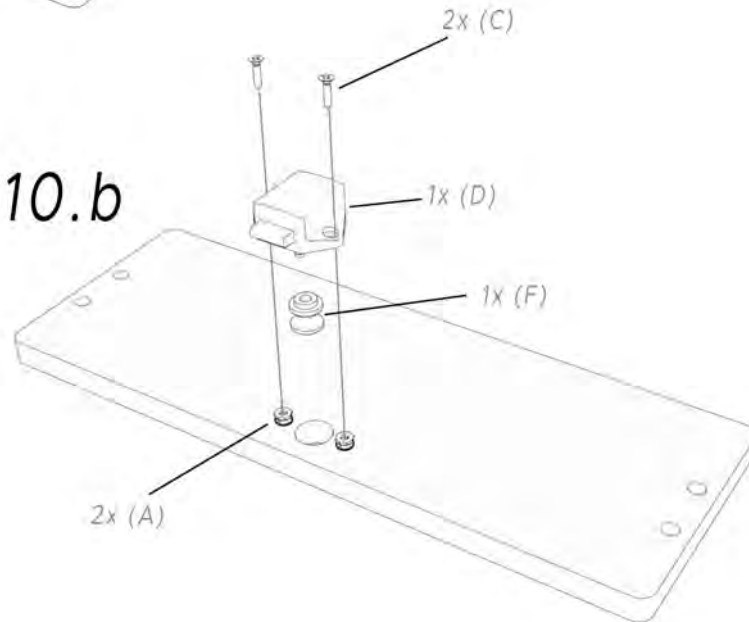
10.



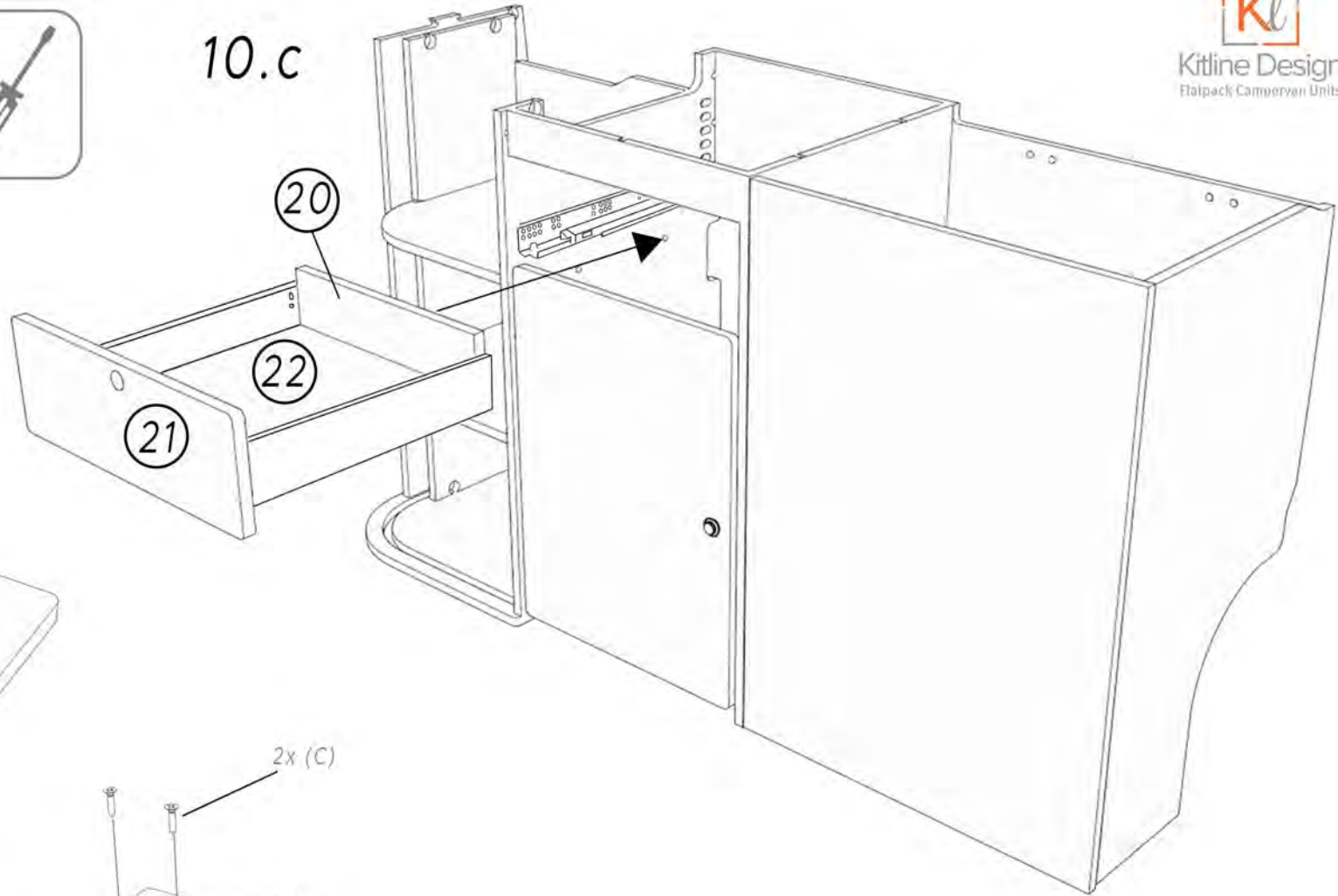
10.a



10.b

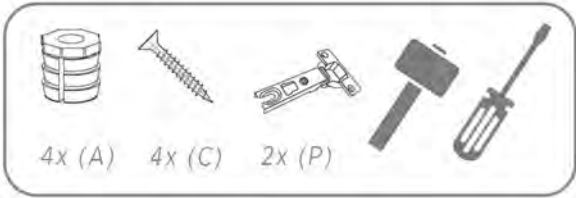


10.c

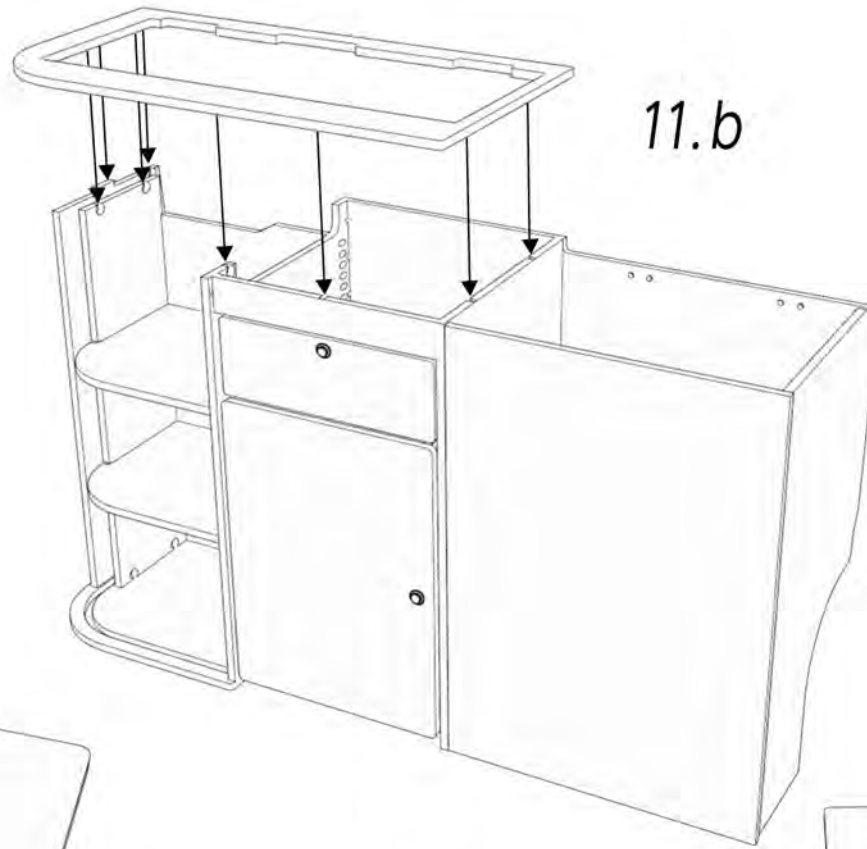
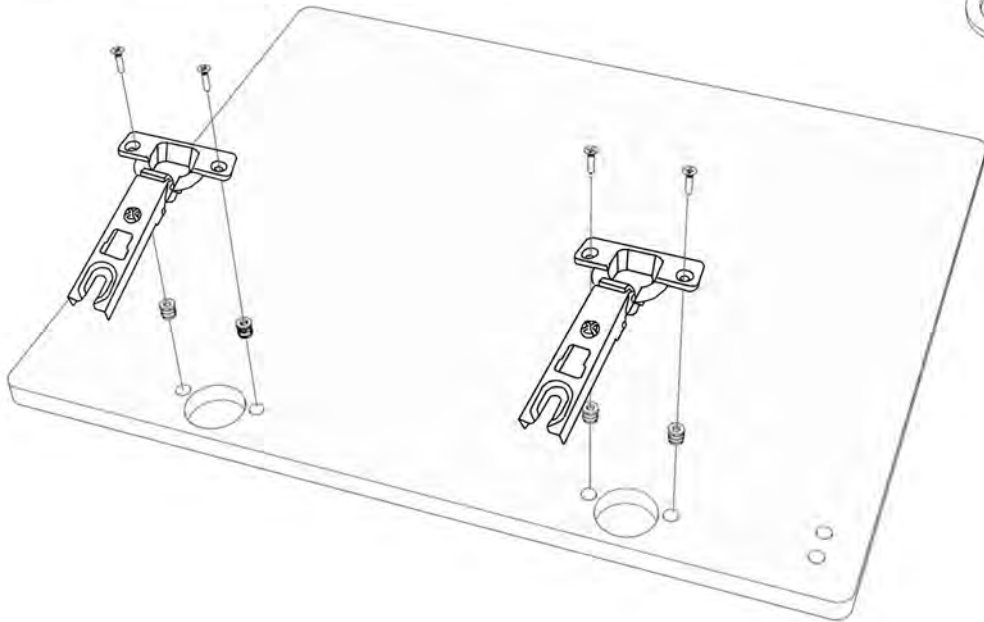


Assemble drawer using manufacturer's instructions provided with drawer set.

11.



11.a



11.b

11.c



13.



Tambour doors should be fitted
BEFORE installing the unit
into the van.

13.a

