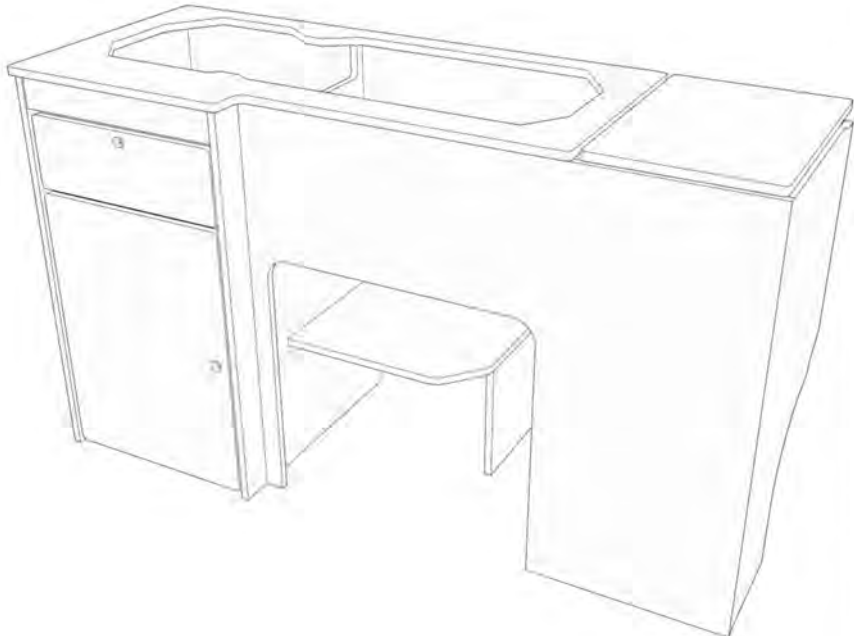


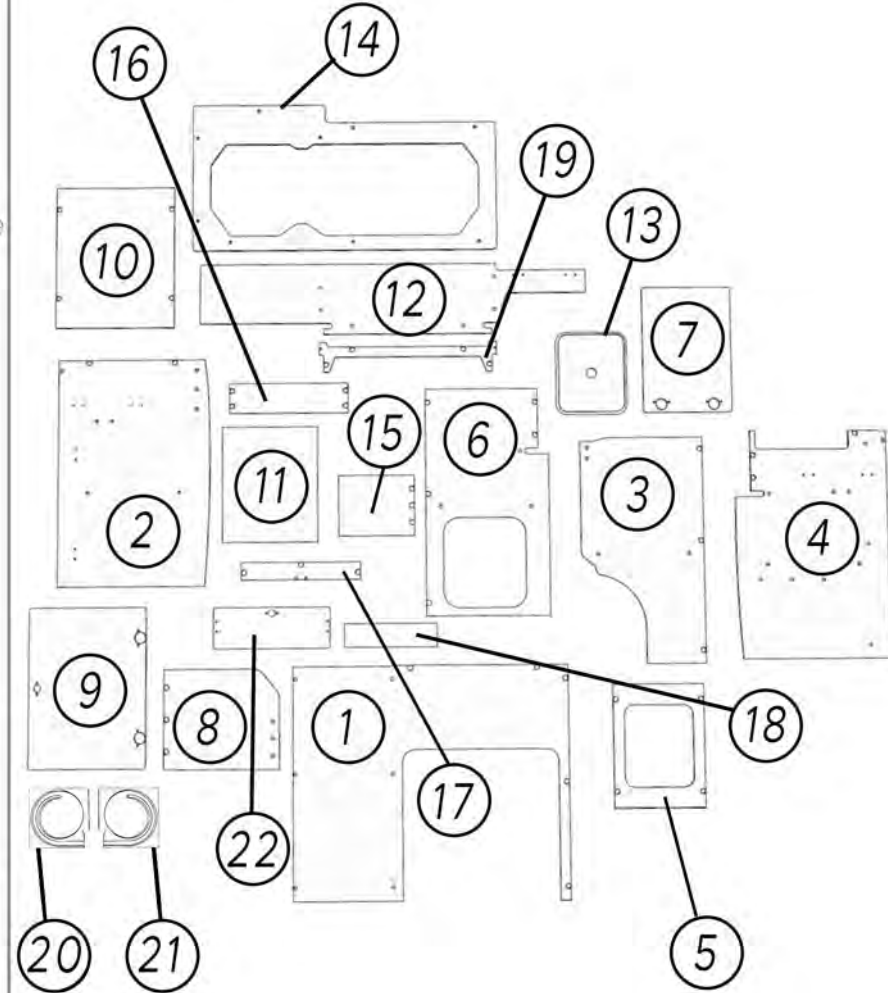
# SWB-Square Coastline

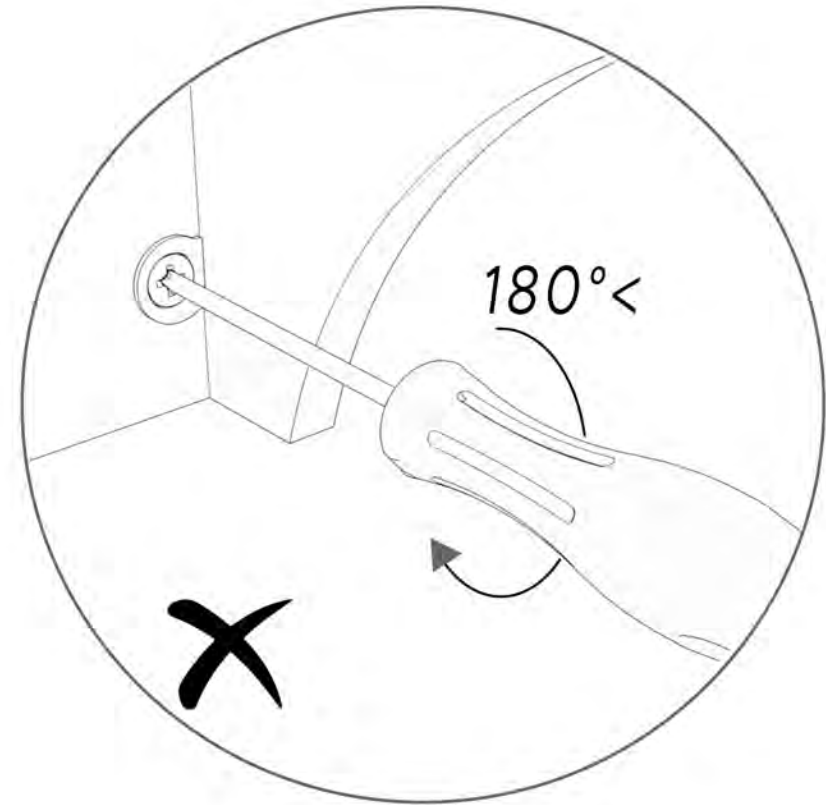
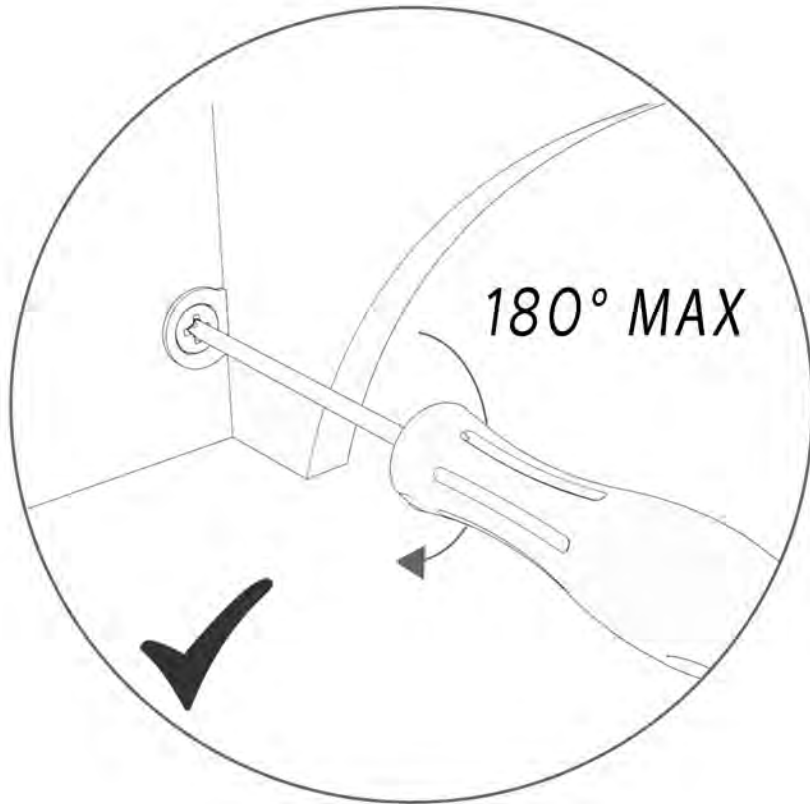


Kitline Design  
Flatpack Campervan Units



- |   |                            |
|---|----------------------------|
|   |                            |
| 60x (A)<br>8mm Grommet                    | 43x (B)<br>One Fix         |
| <br>                                      |                            |
| 60x (C) 15mm screws<br>4x (O) 30mm screws | 1x (D)<br>Push button Case |
|   |                            |
| 1x (E)<br>Push Button<br>Rosette          | 1x (F)<br>Push button      |
|   |                            |
| 4x (G)<br>tambour Corner                  | 1x (H)<br>striker plate    |
|   |                            |
| 2x (I)<br>Mounting Plate                  | 2x (J)<br>Cranked Hinge    |
|   |                            |
| 2x (N) (450)<br>Tambour Track             | 1x (L)<br>Tambour door     |
|   |                            |
| 1x (M)<br>striker plate flat              | 2x (P)<br>Tambour door     |



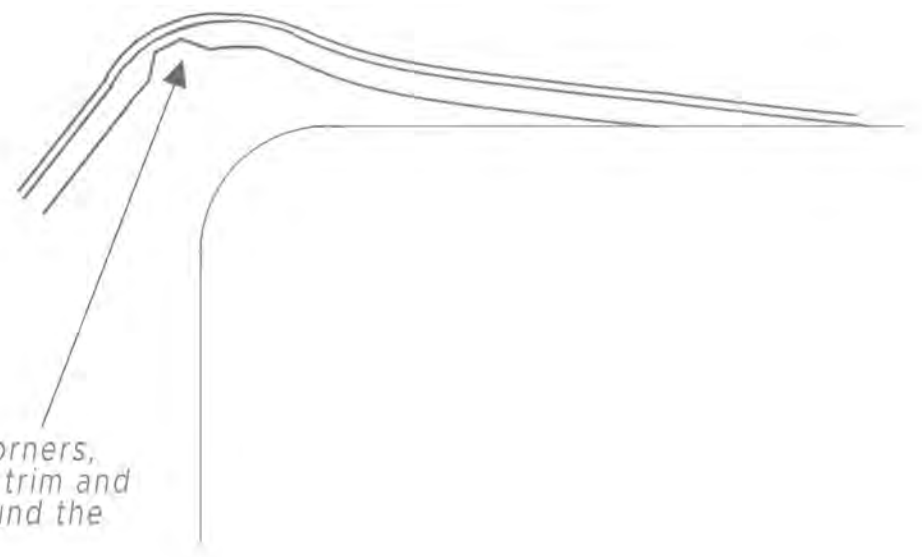
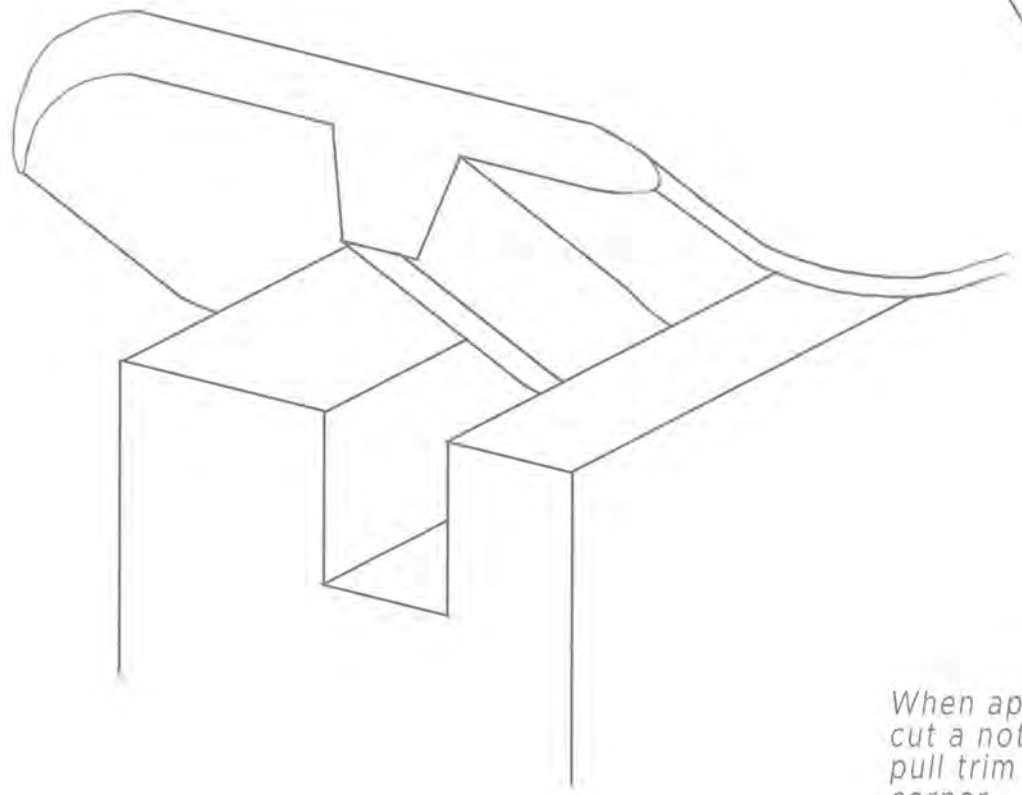
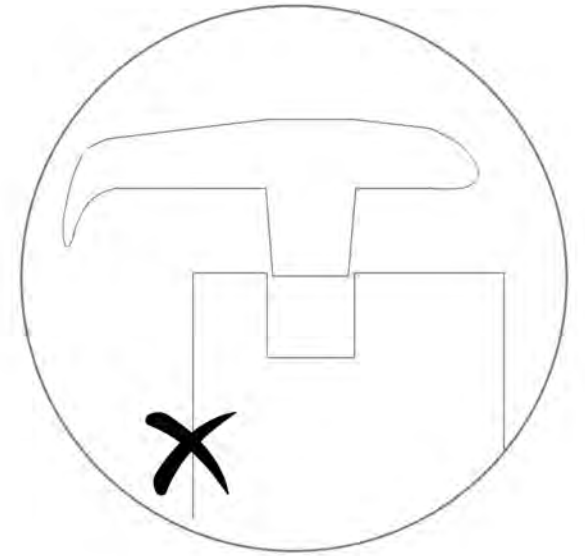
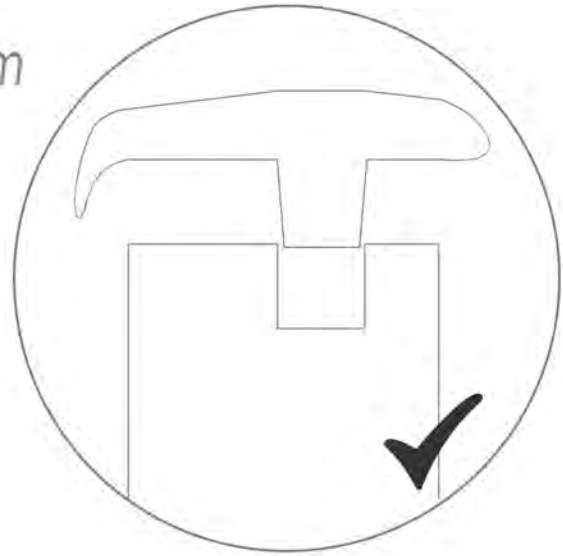


Do not over tighten Onefix  
Connectors!

1.

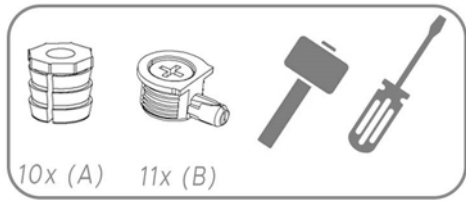


*All pieces should have T-Trim applied before assembly!*

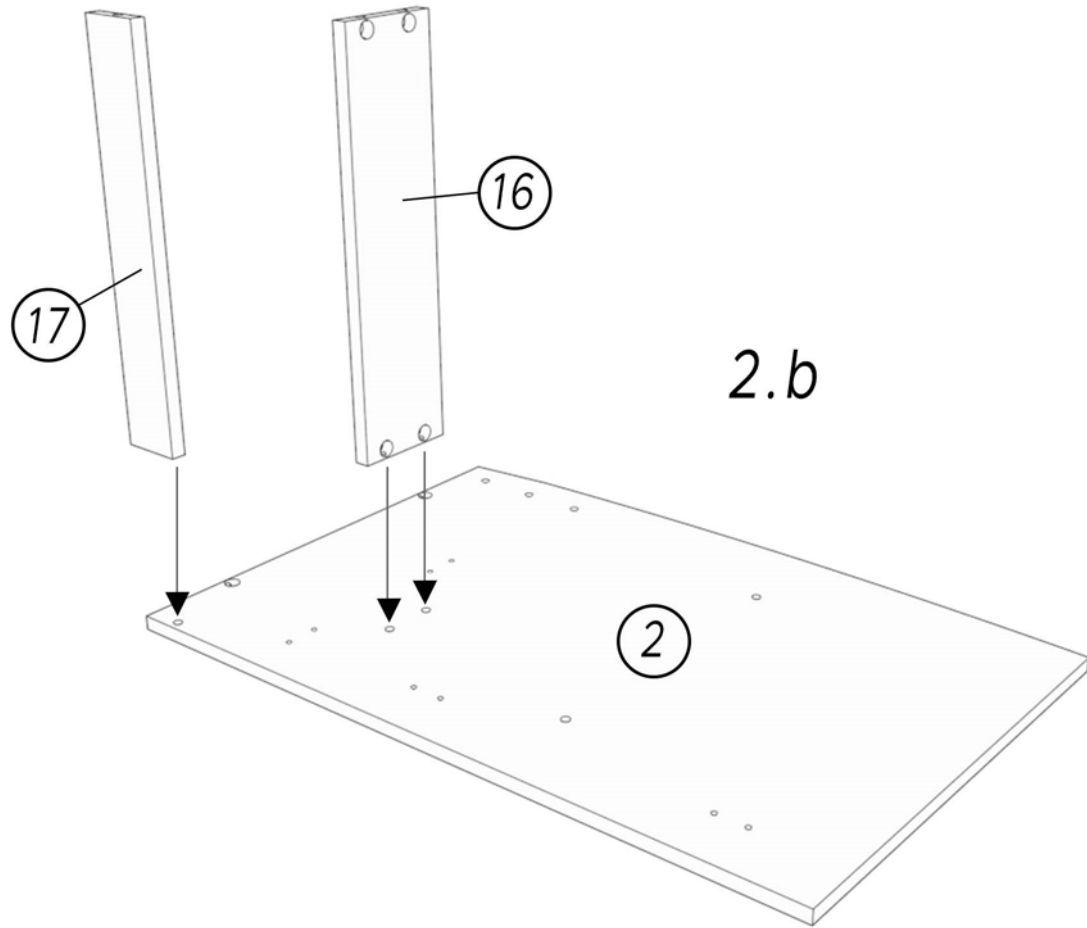
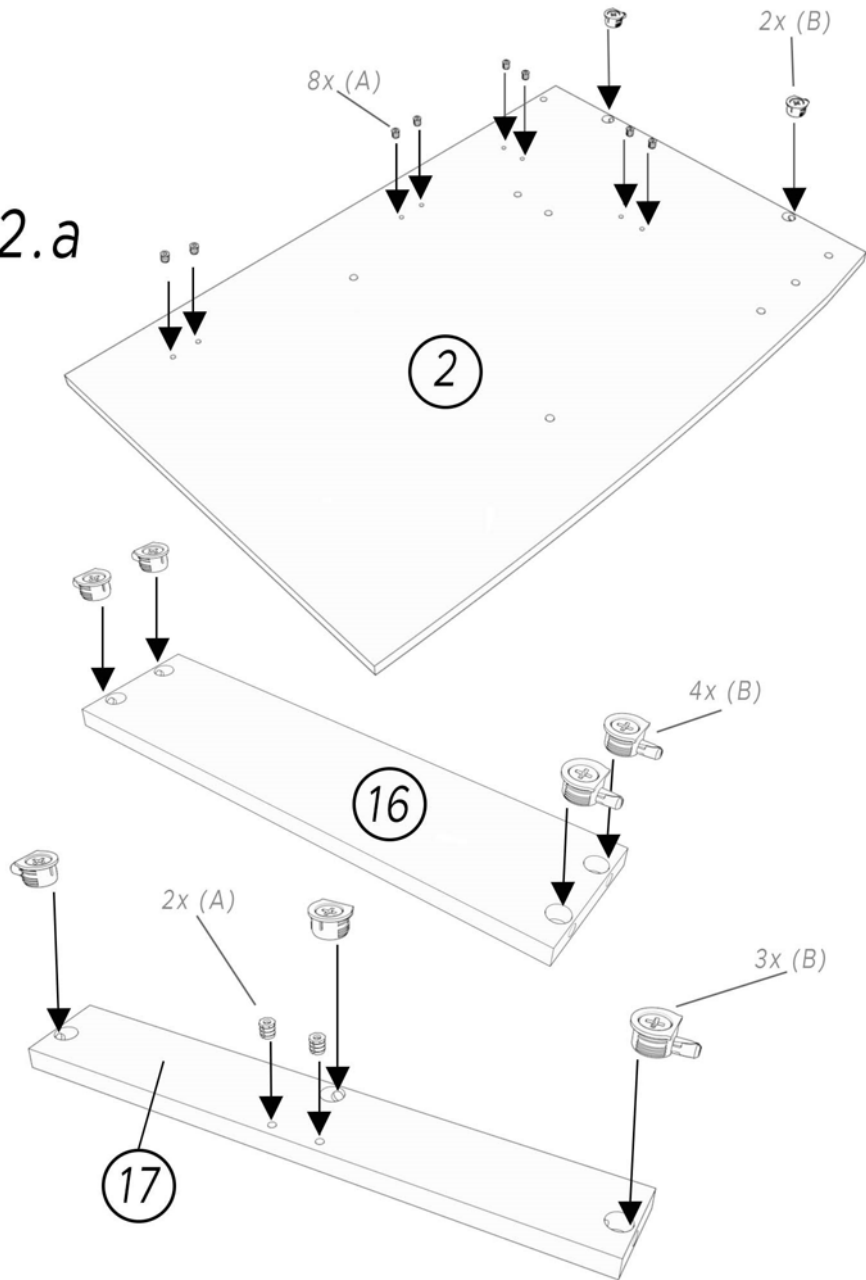


*When applying to corners, cut a notch into the trim and pull trim tightly around the corner.*

# 2.

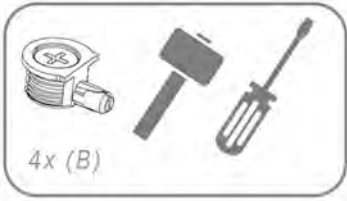


## 2.a

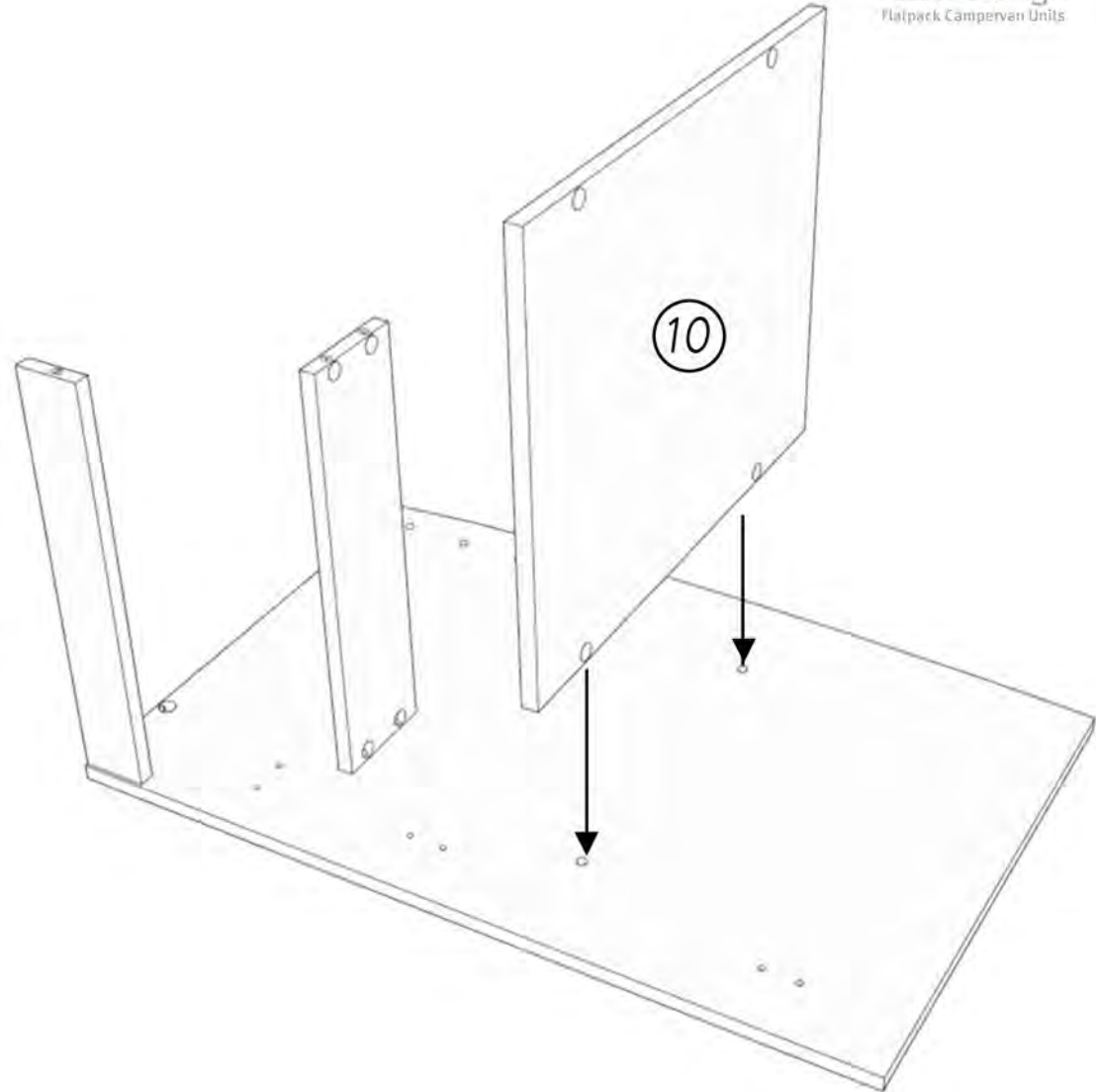
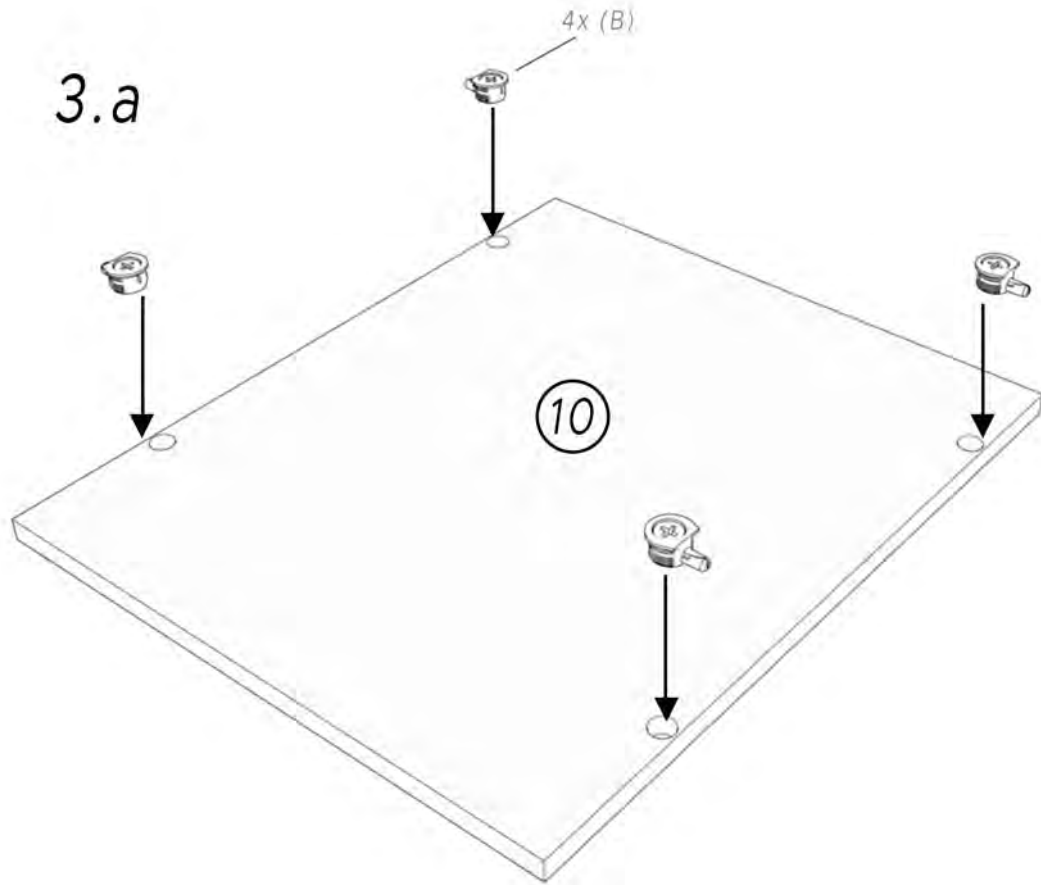


## 2.b

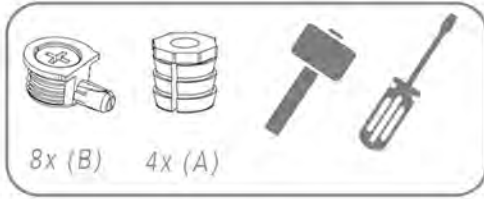
3.



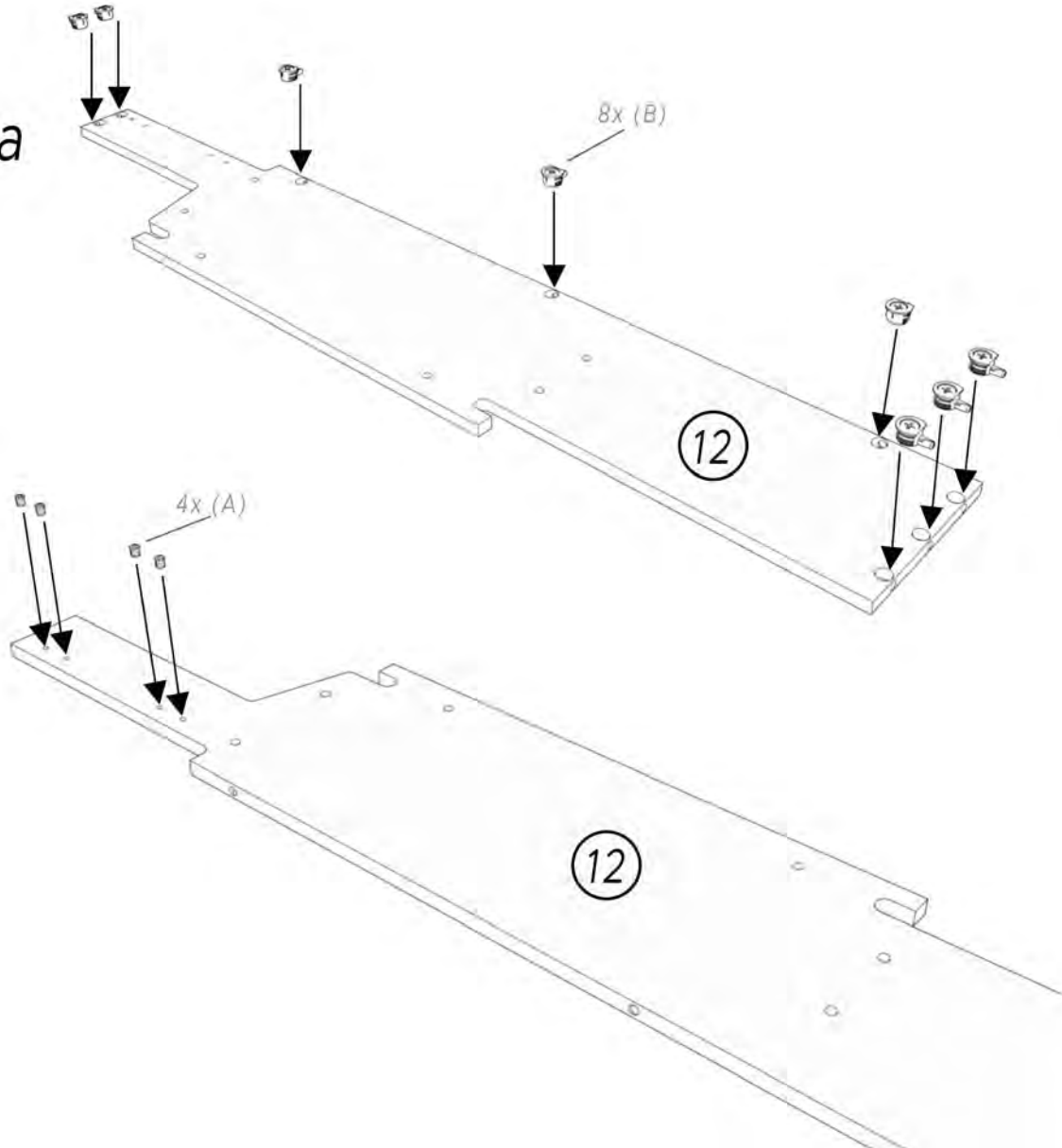
3.a



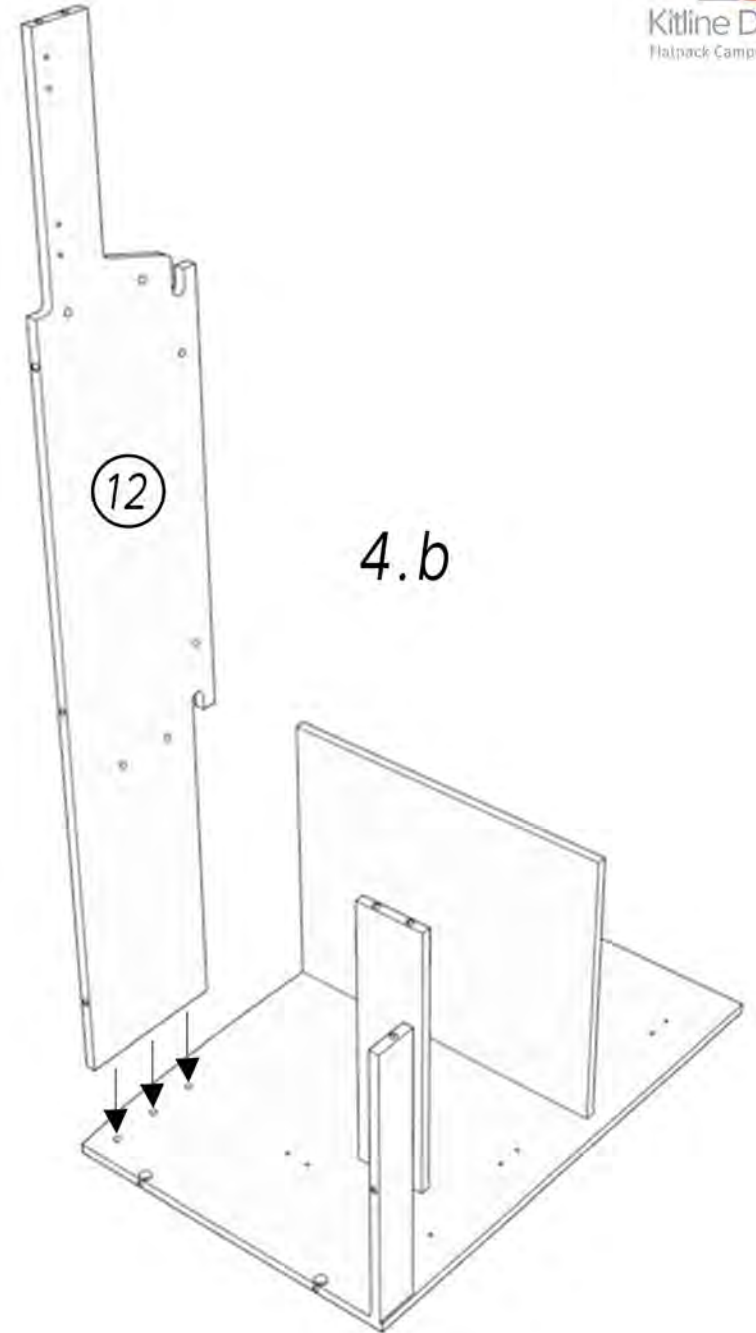
4.



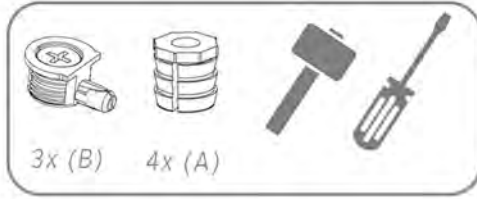
4.a



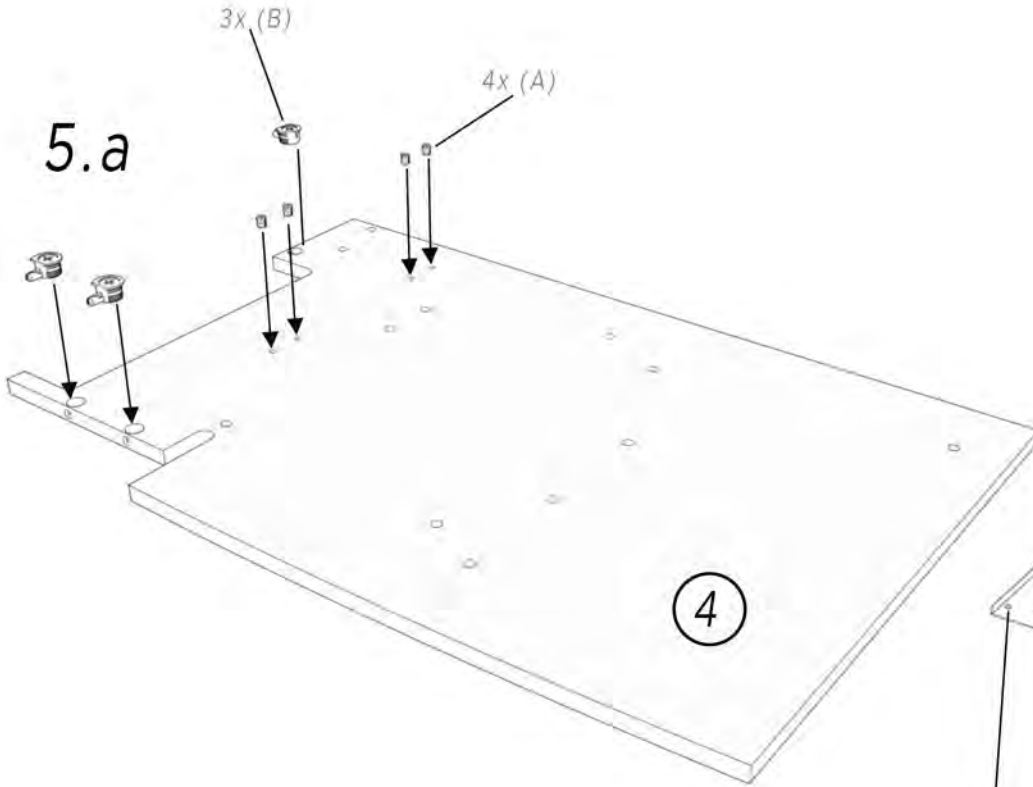
4.b



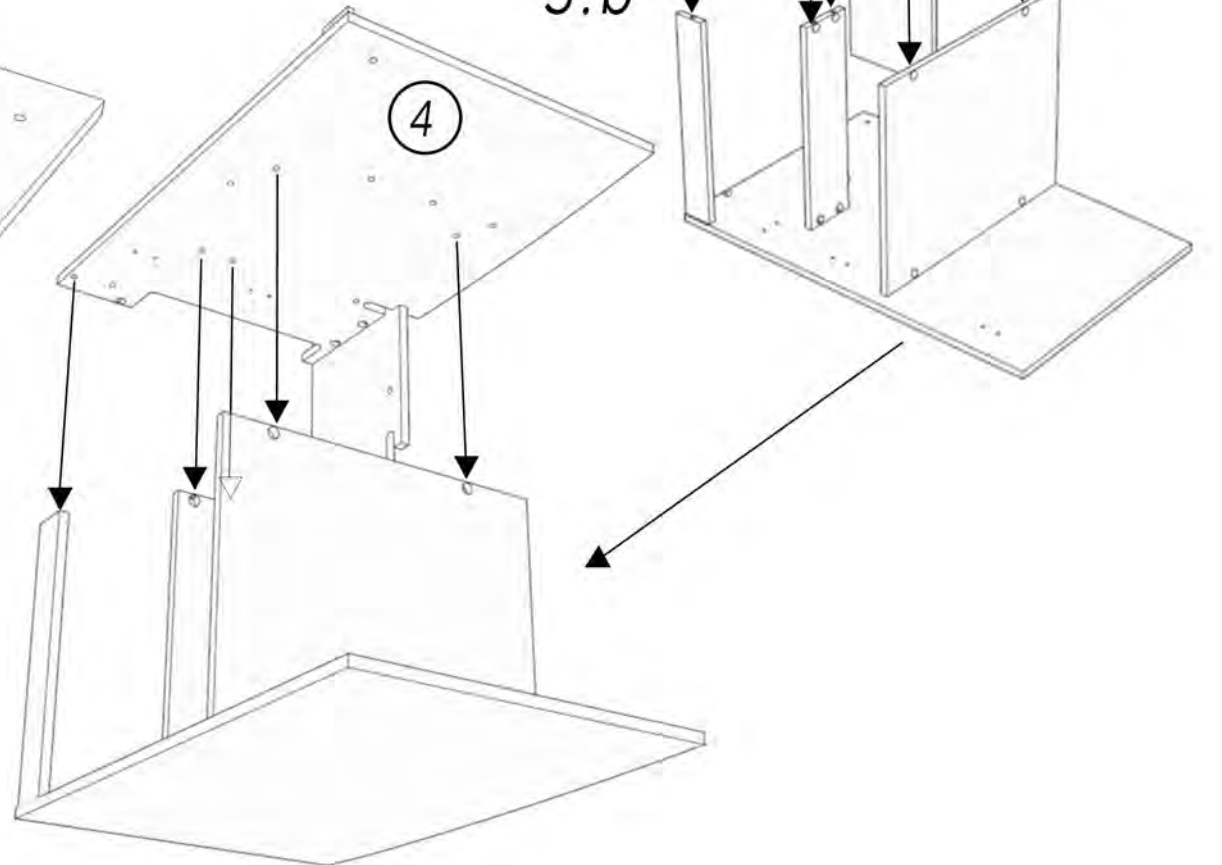
5.



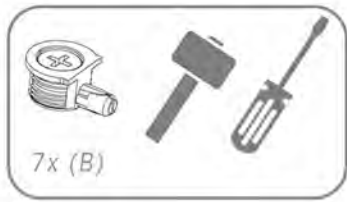
5.a



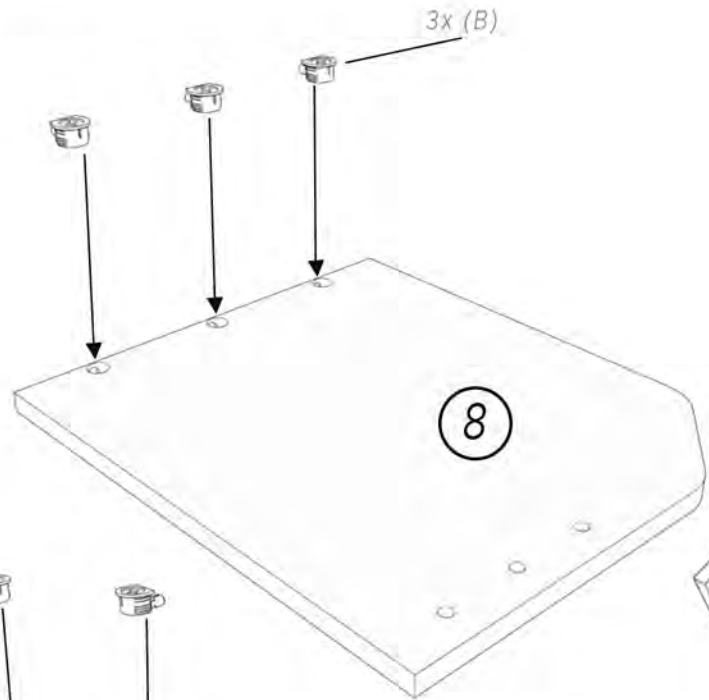
5.b



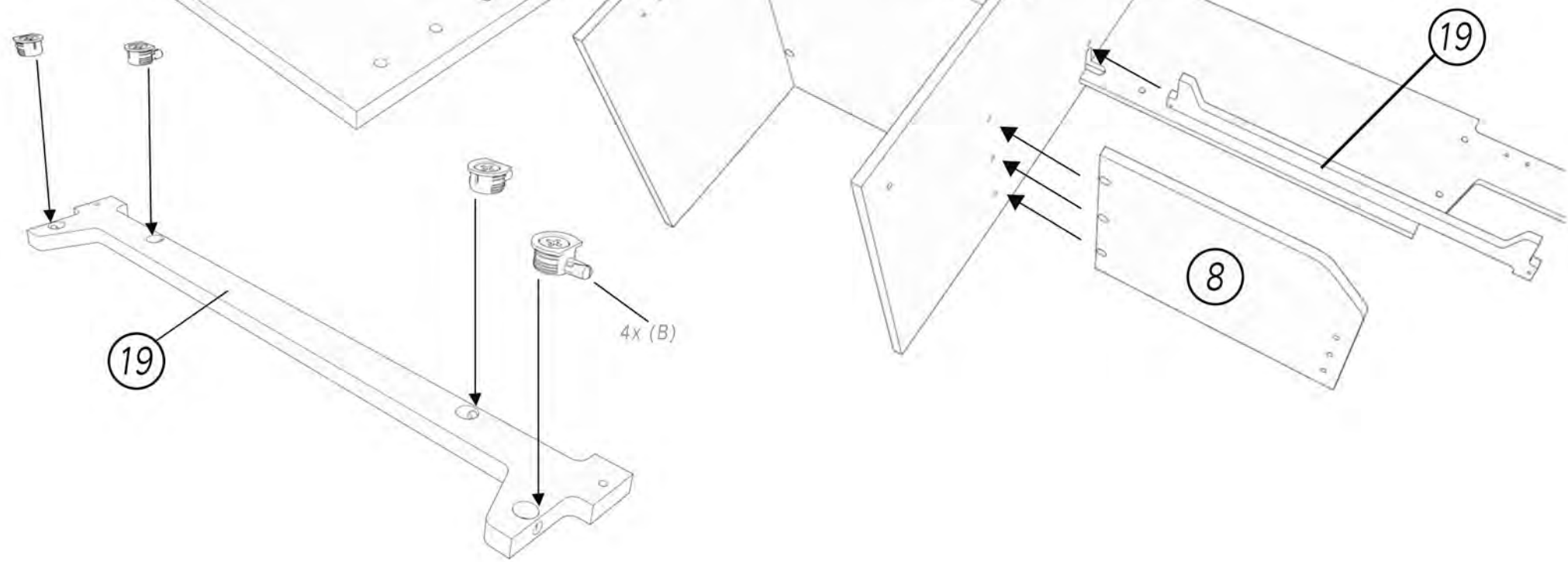
6.



6.a



6.b

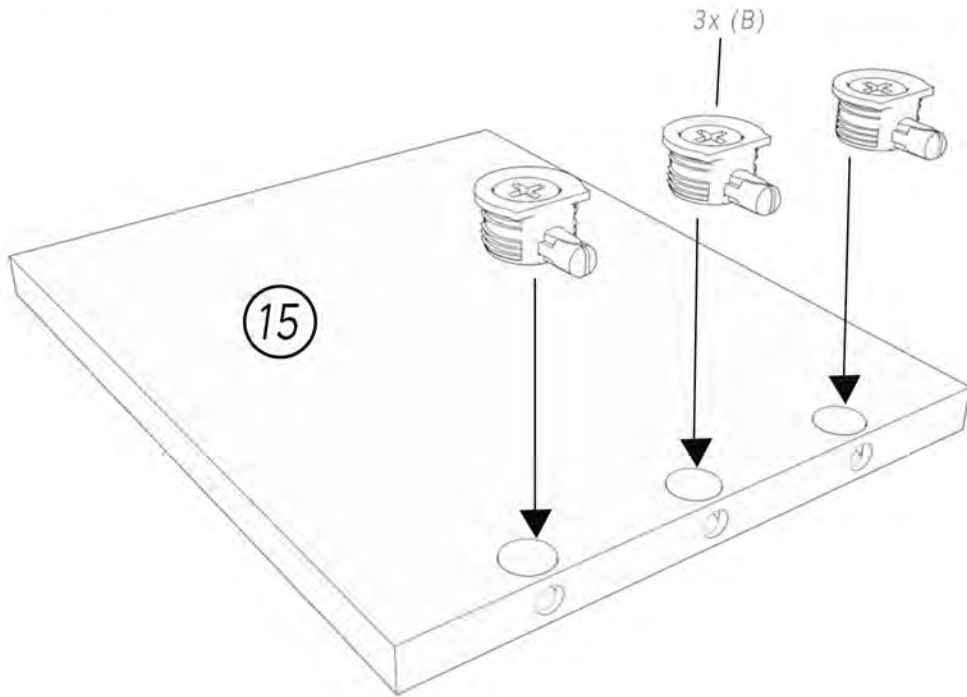




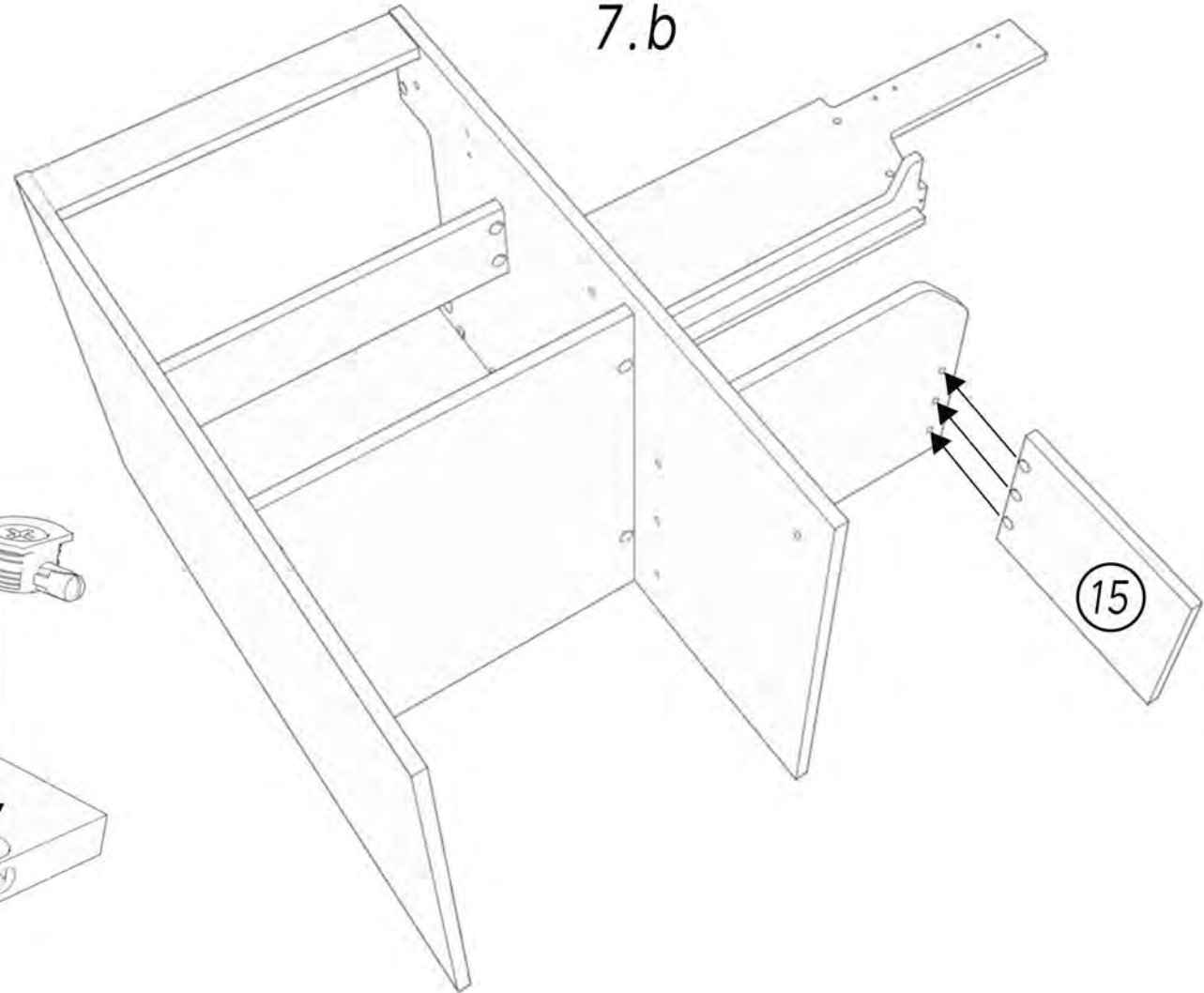
7.



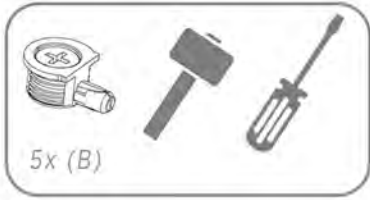
7.a



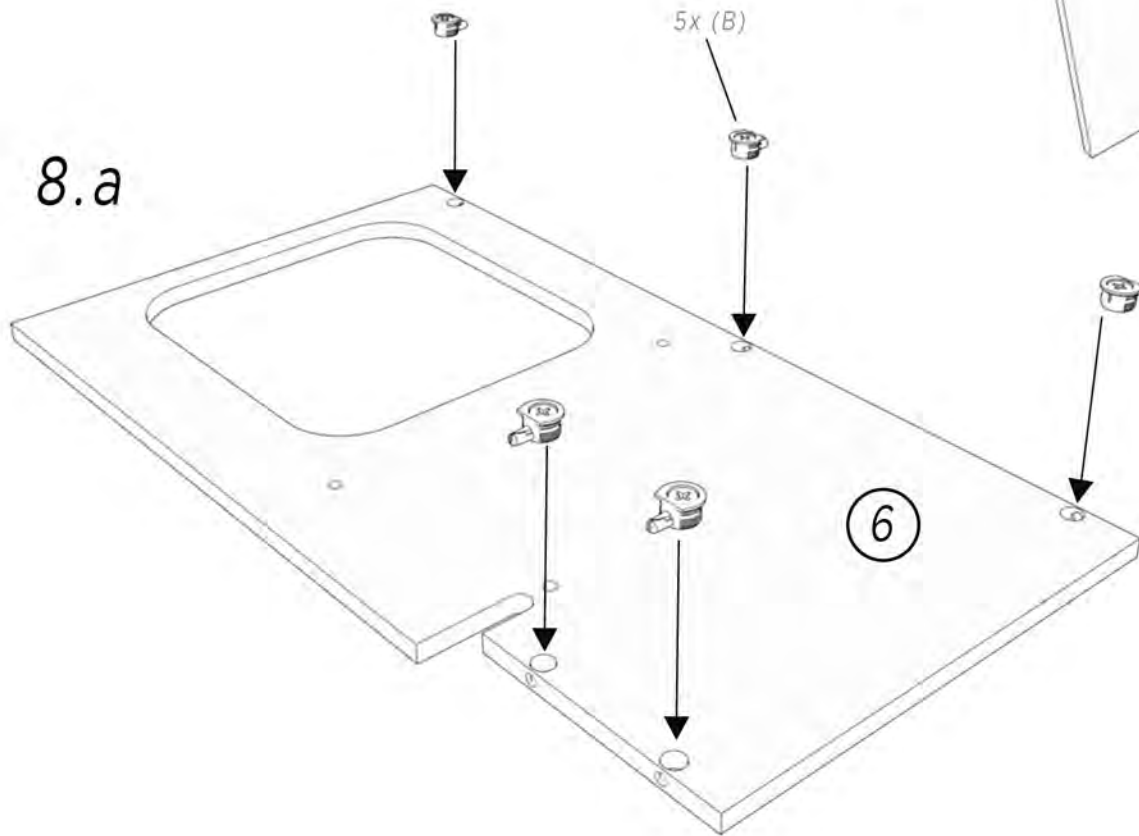
7.b



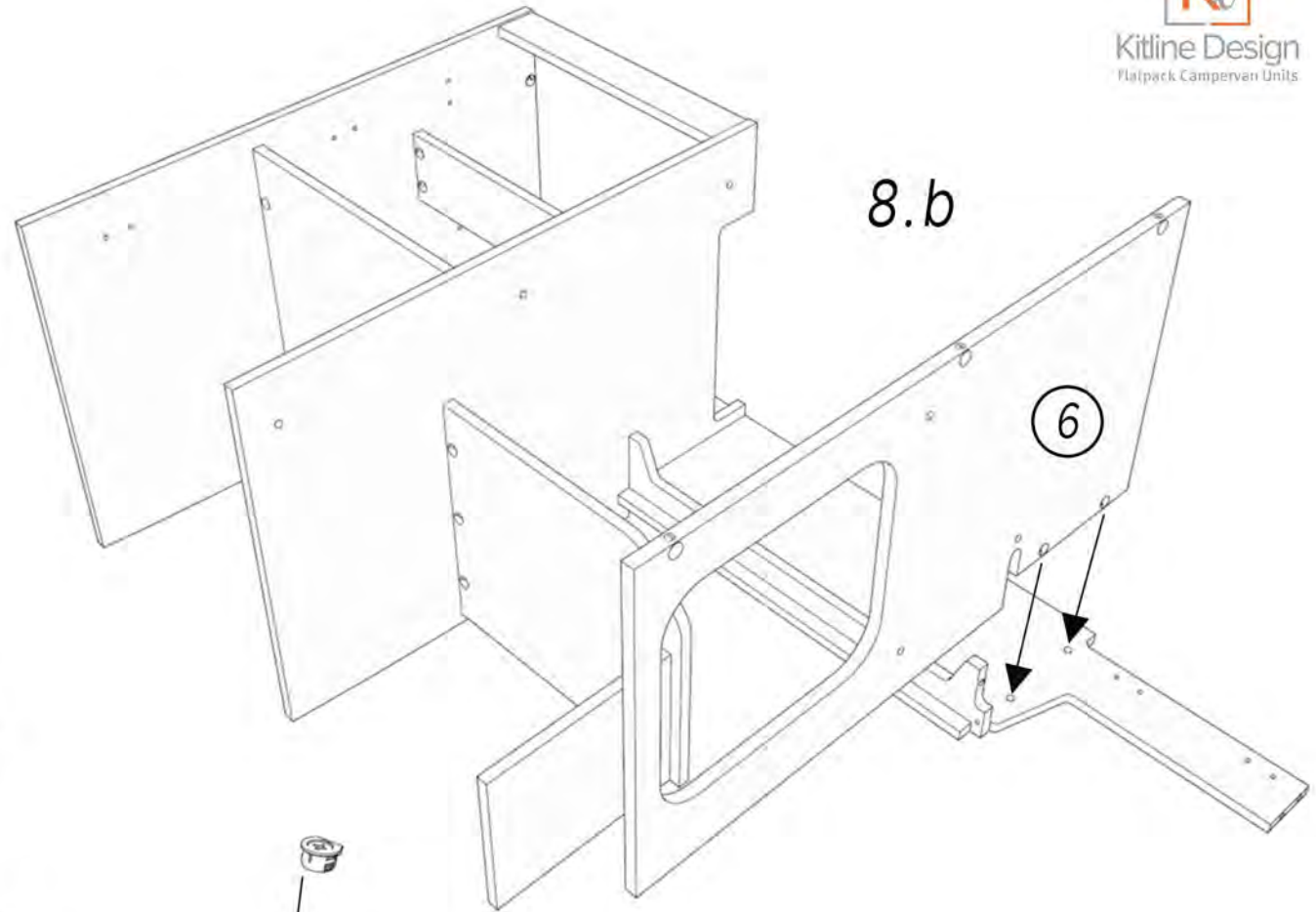
8.



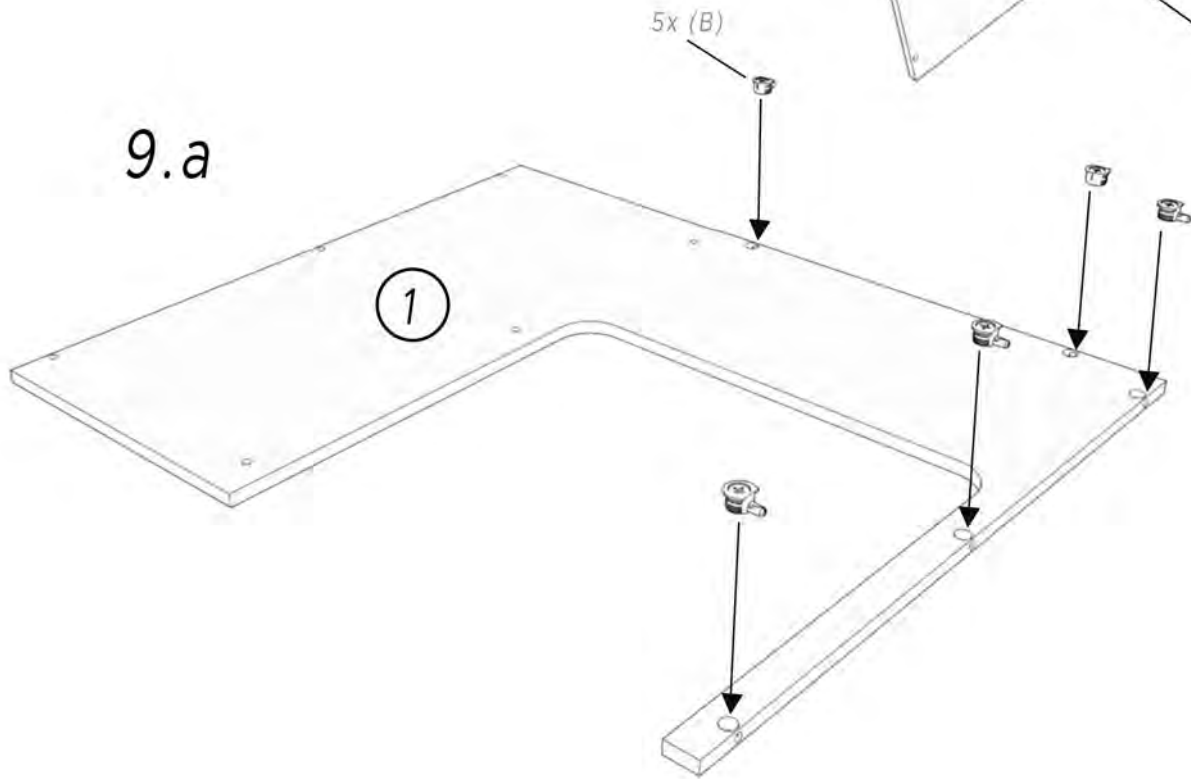
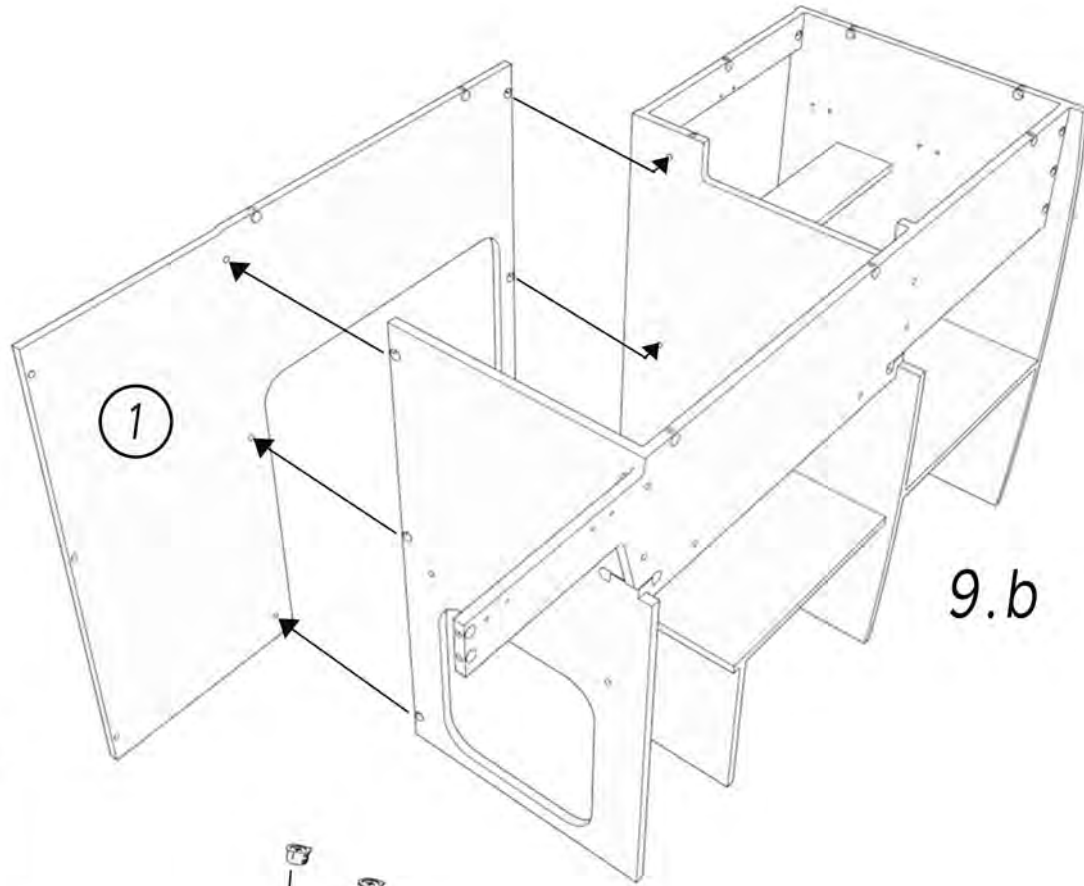
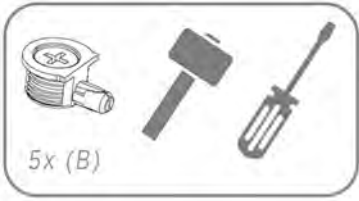
8.a



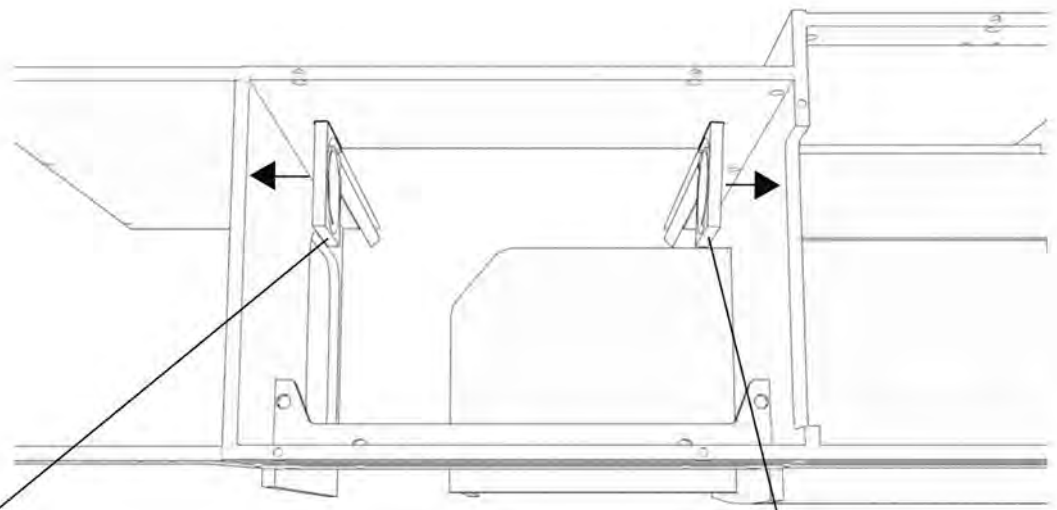
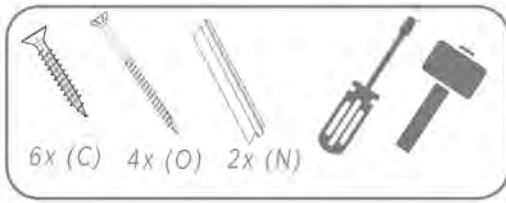
8.b



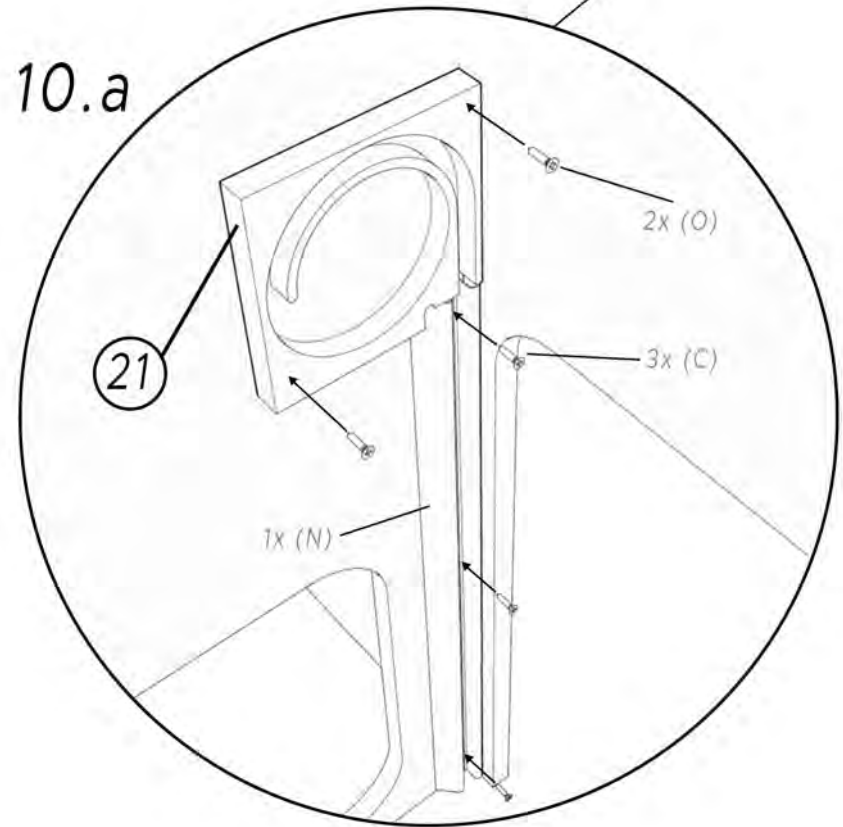
9.



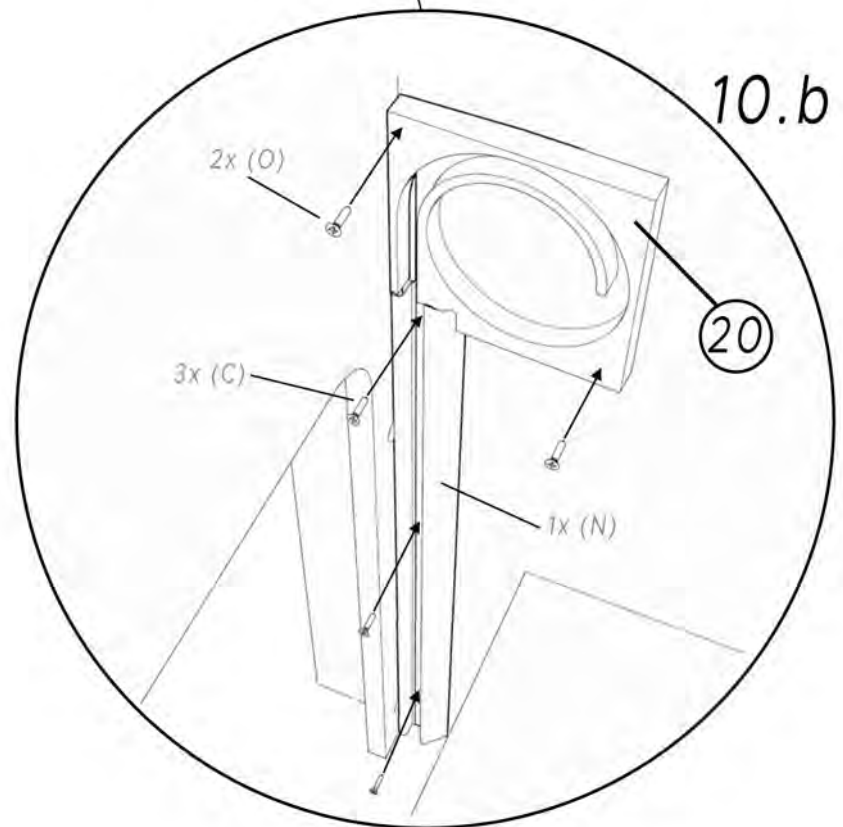
# 10.



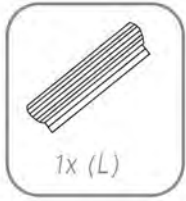
## 10.a



## 10.b



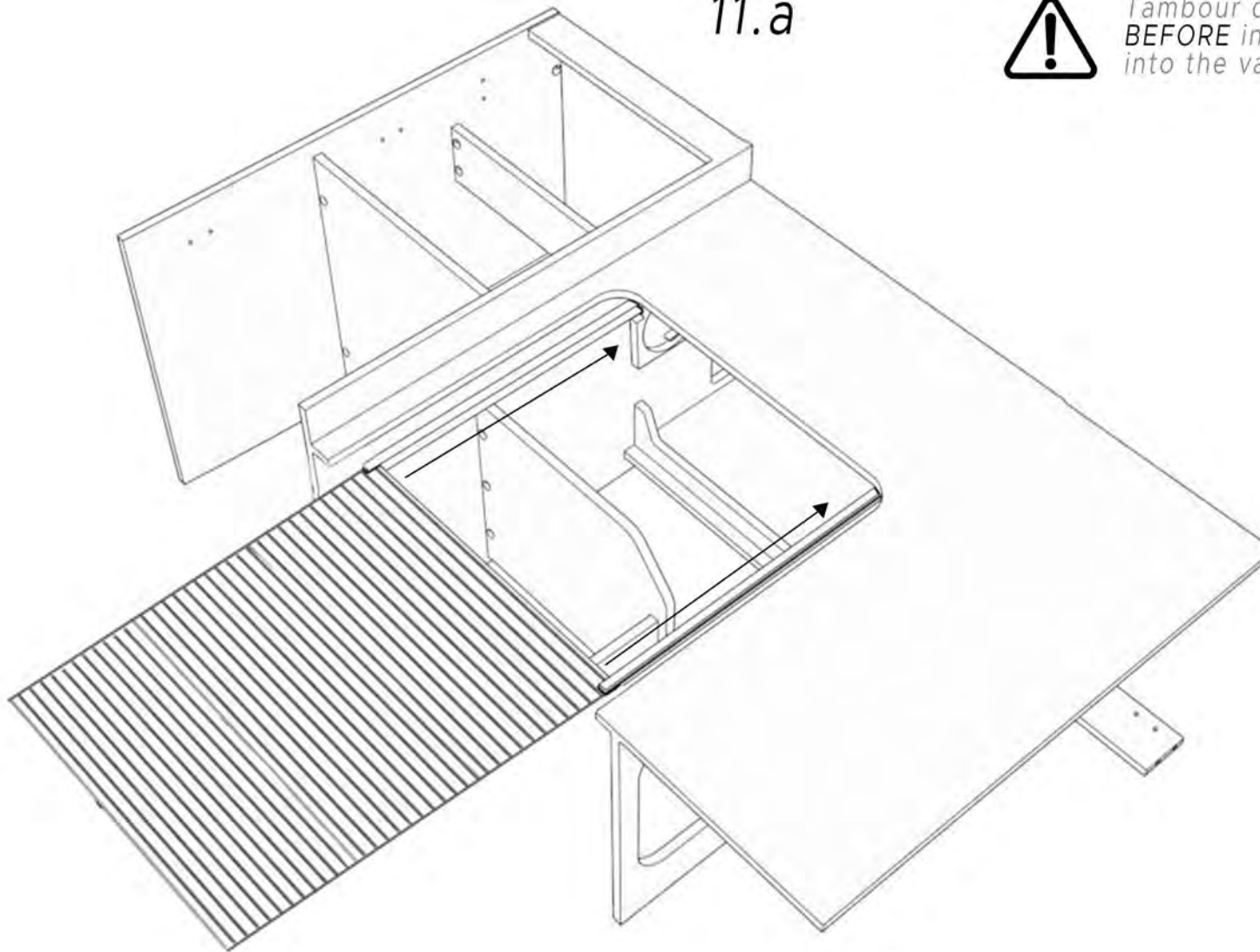
11.



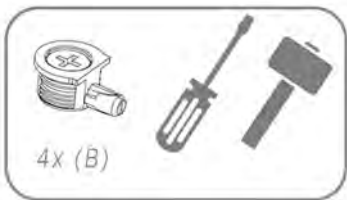
11.a



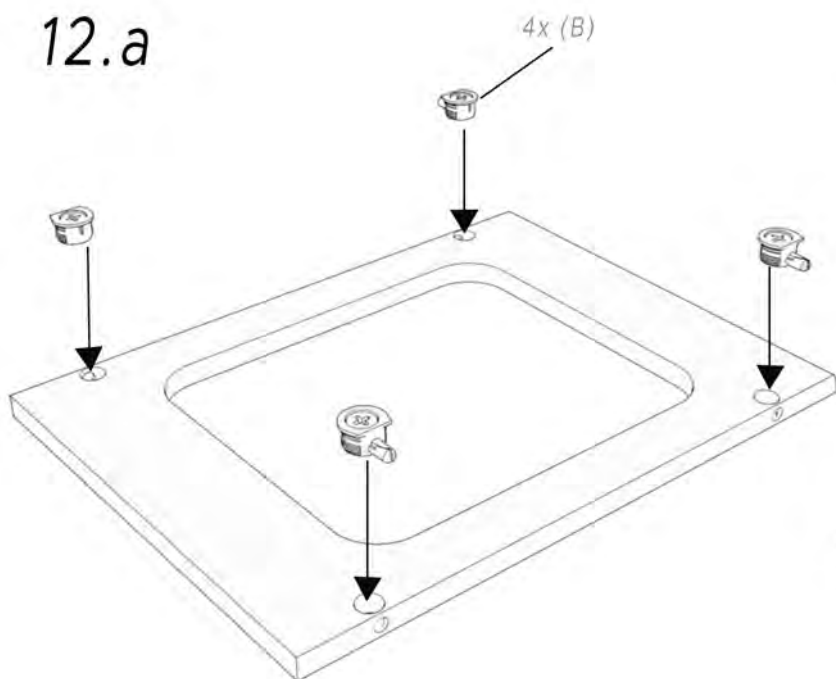
*Tambour doors should be fitted  
**BEFORE** installing the unit  
into the van.*



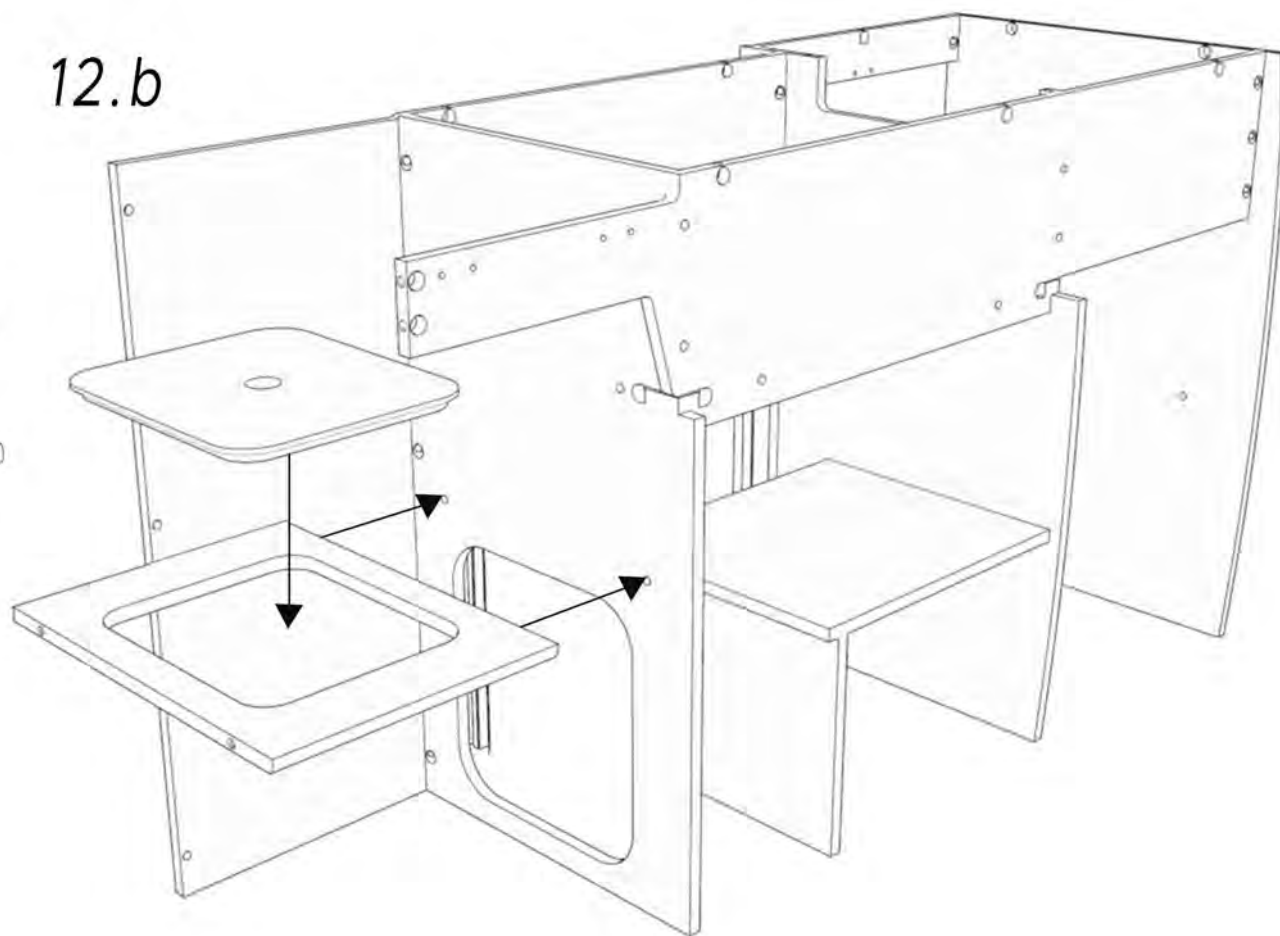
# 12.



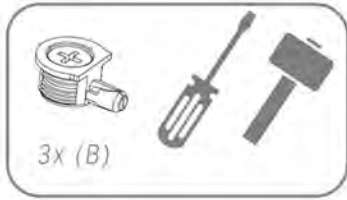
## 12.a



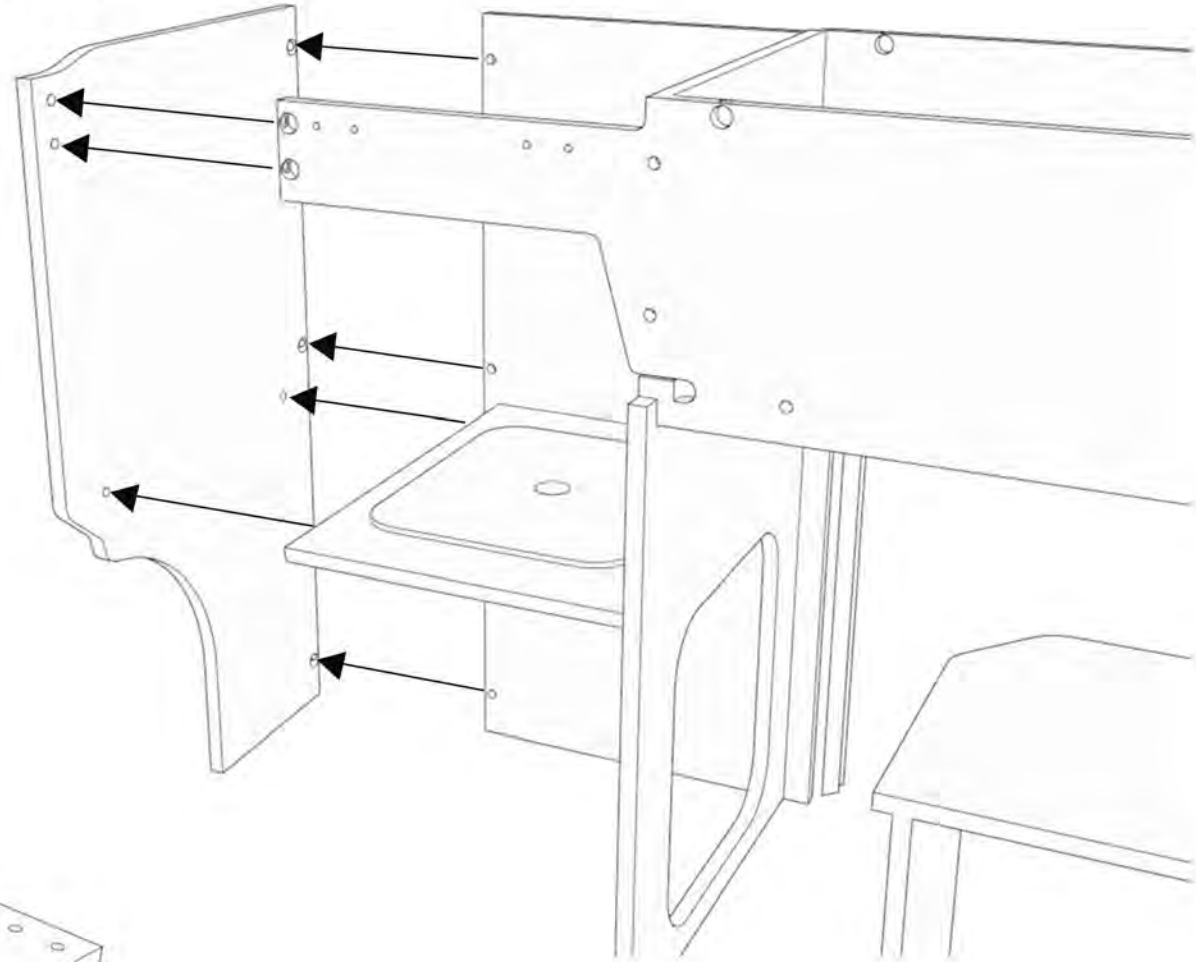
## 12.b



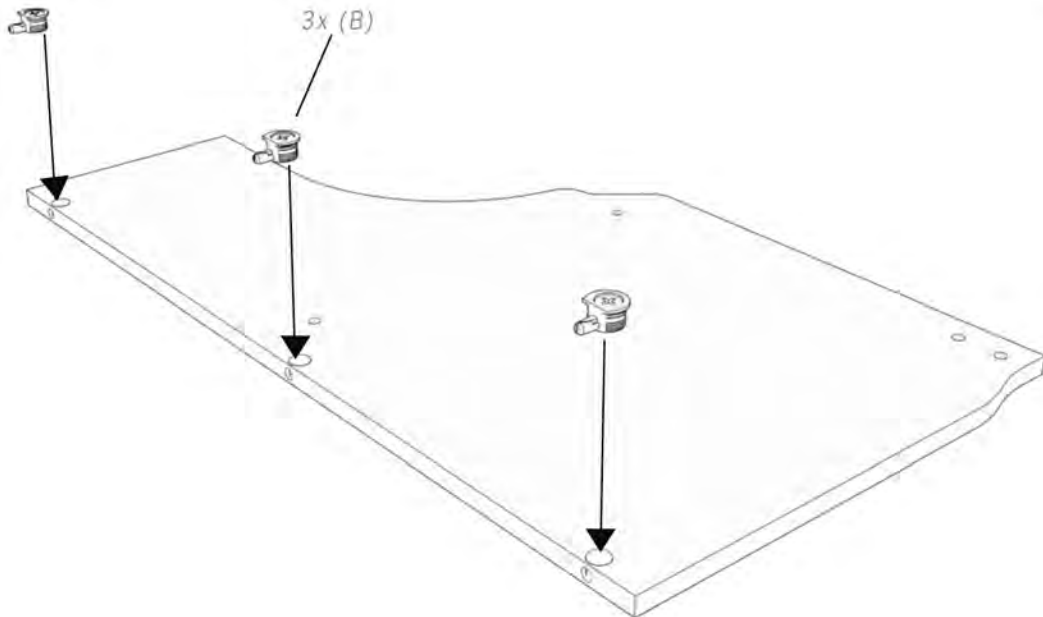
# 13.



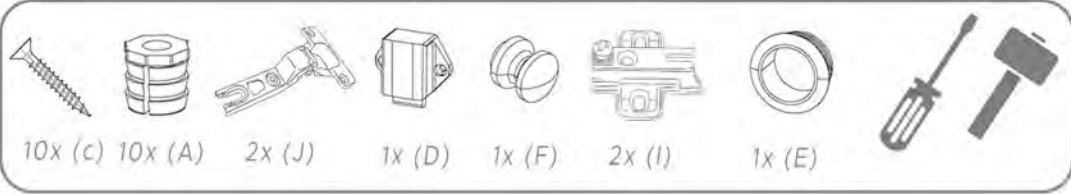
## 13.b



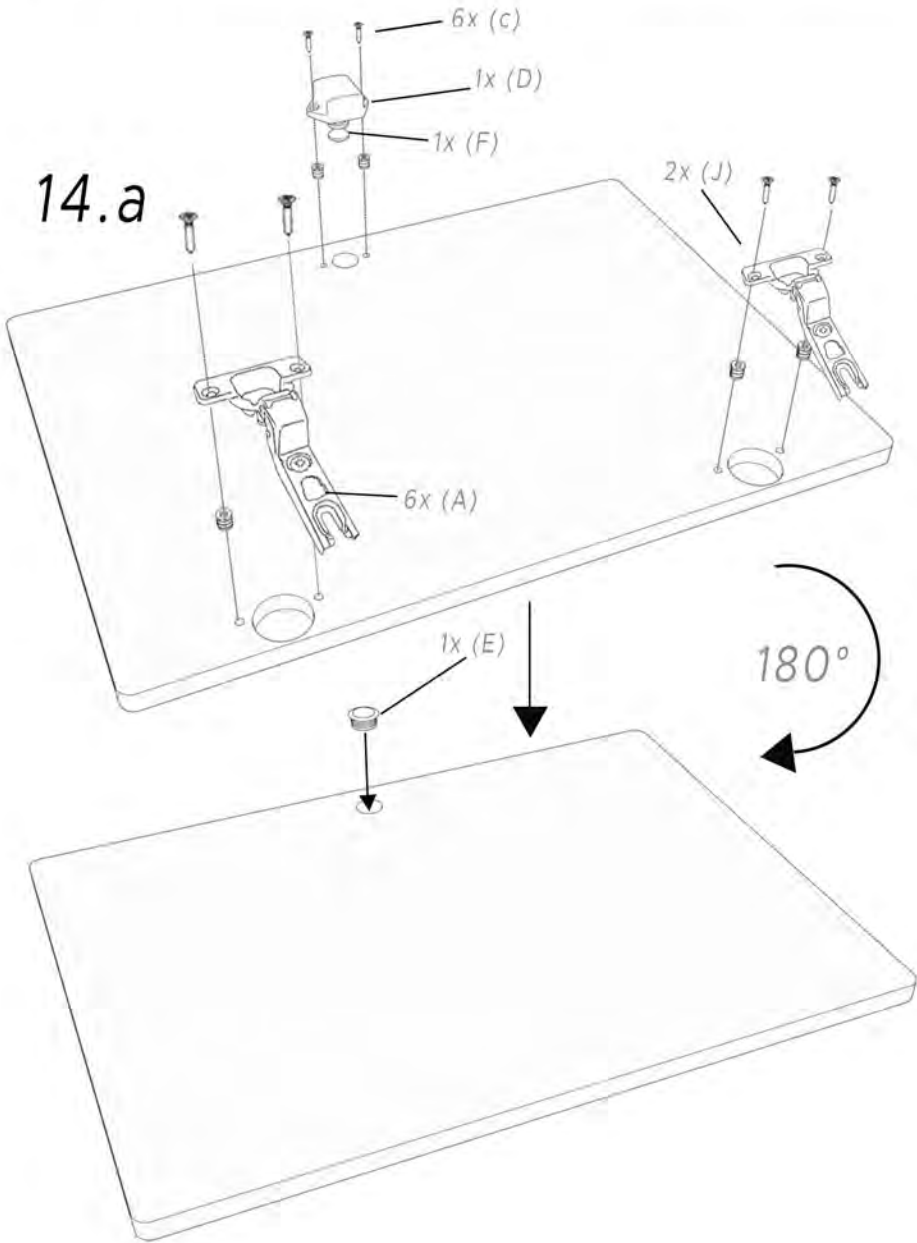
## 13.a



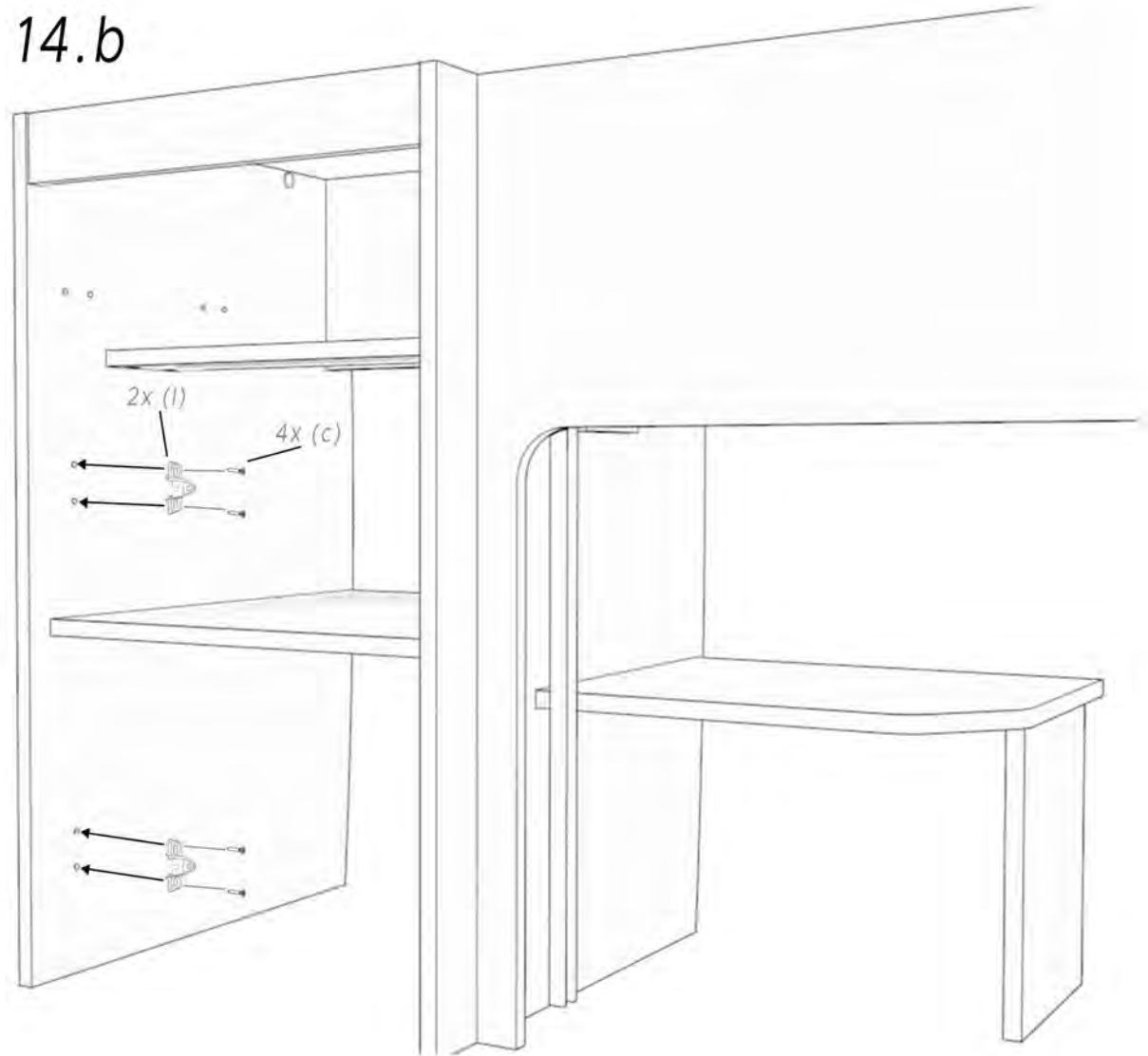
# 14.



## 14.a

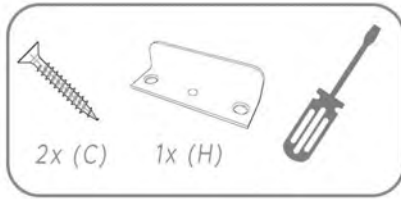


## 14.b

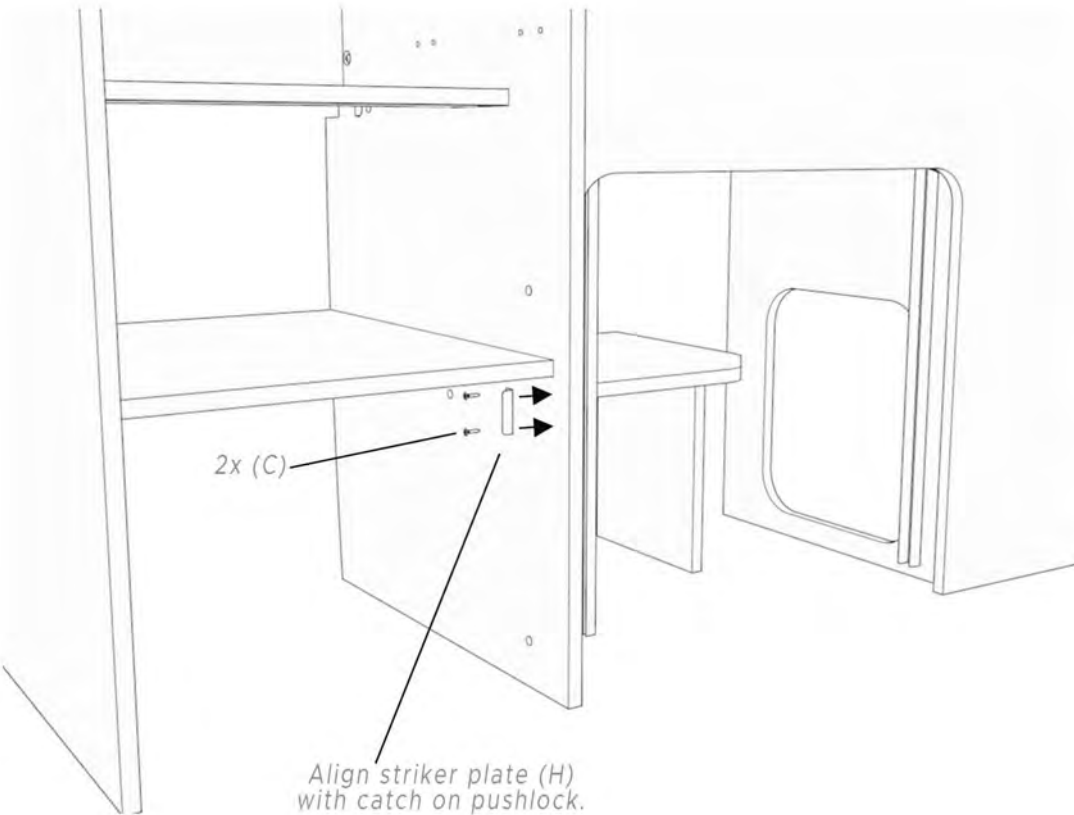




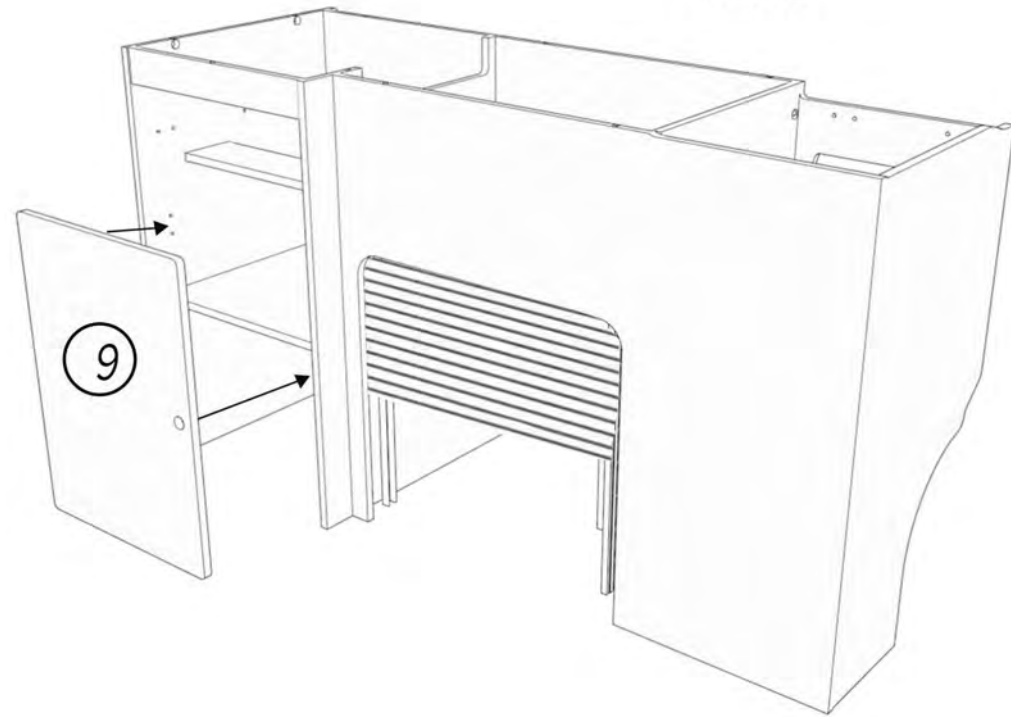
# 15.



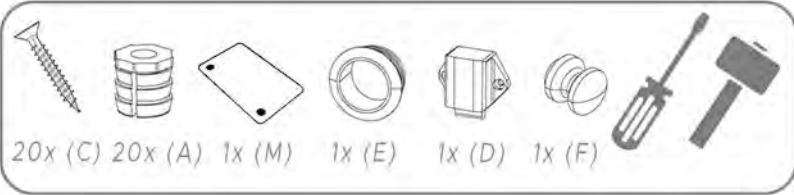
## 15.a



## 15.b



# 16.

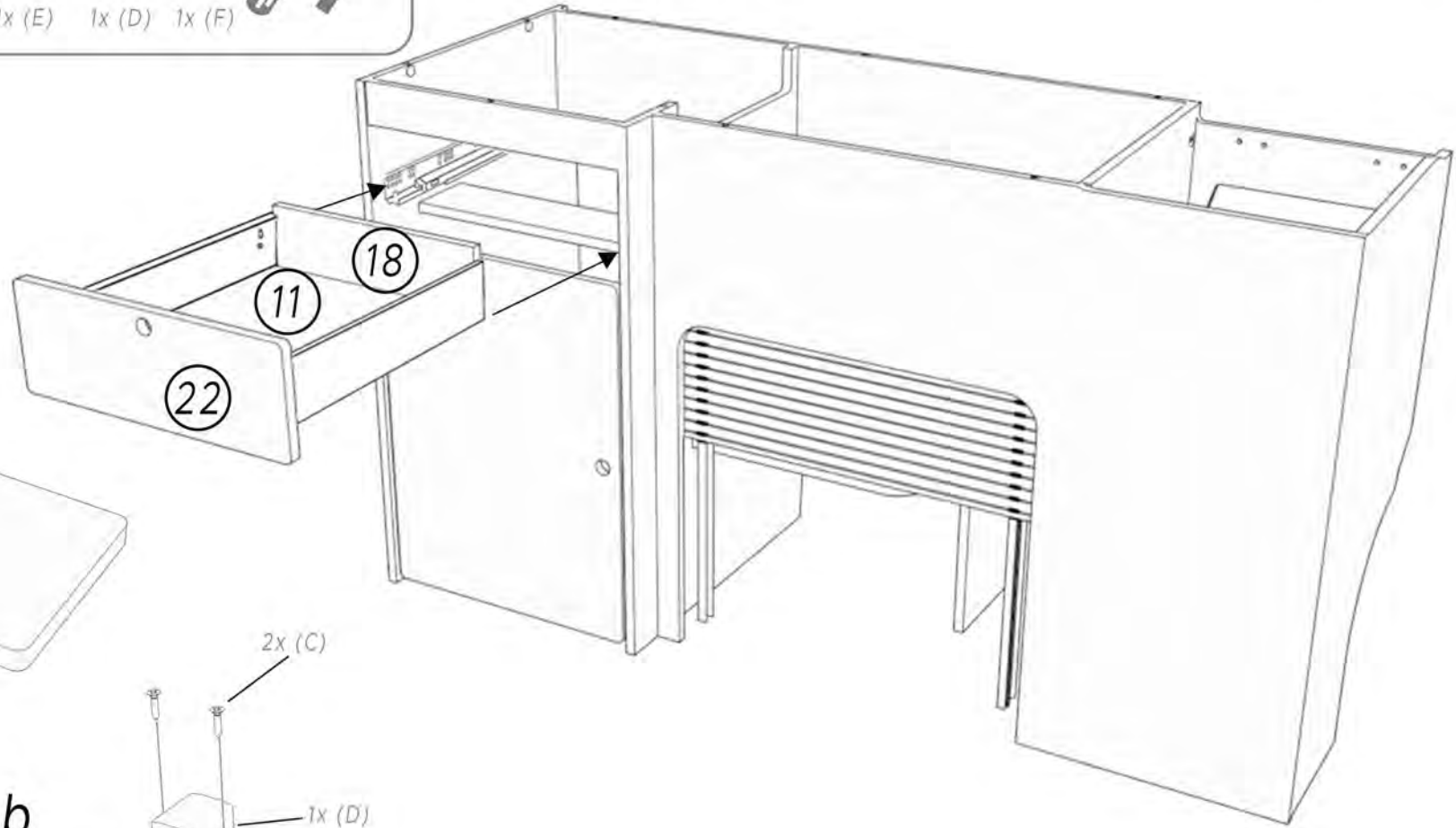
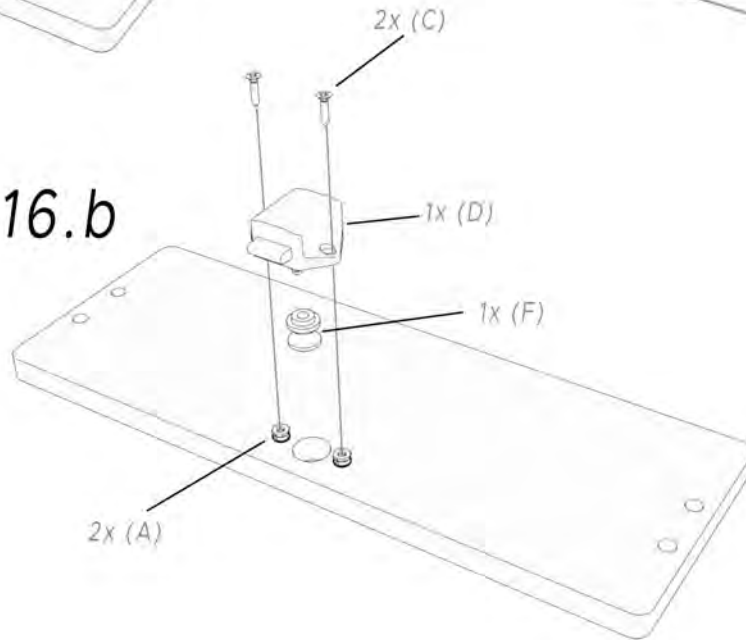


# 16.c

## 16.a

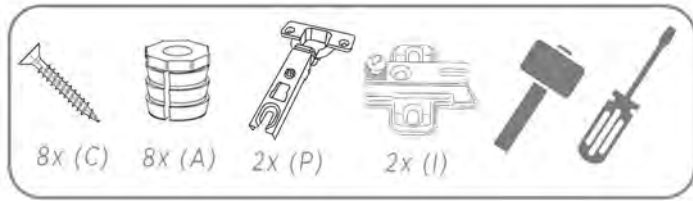


## 16.b

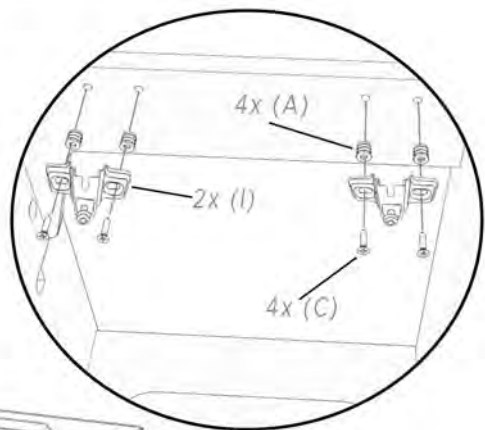
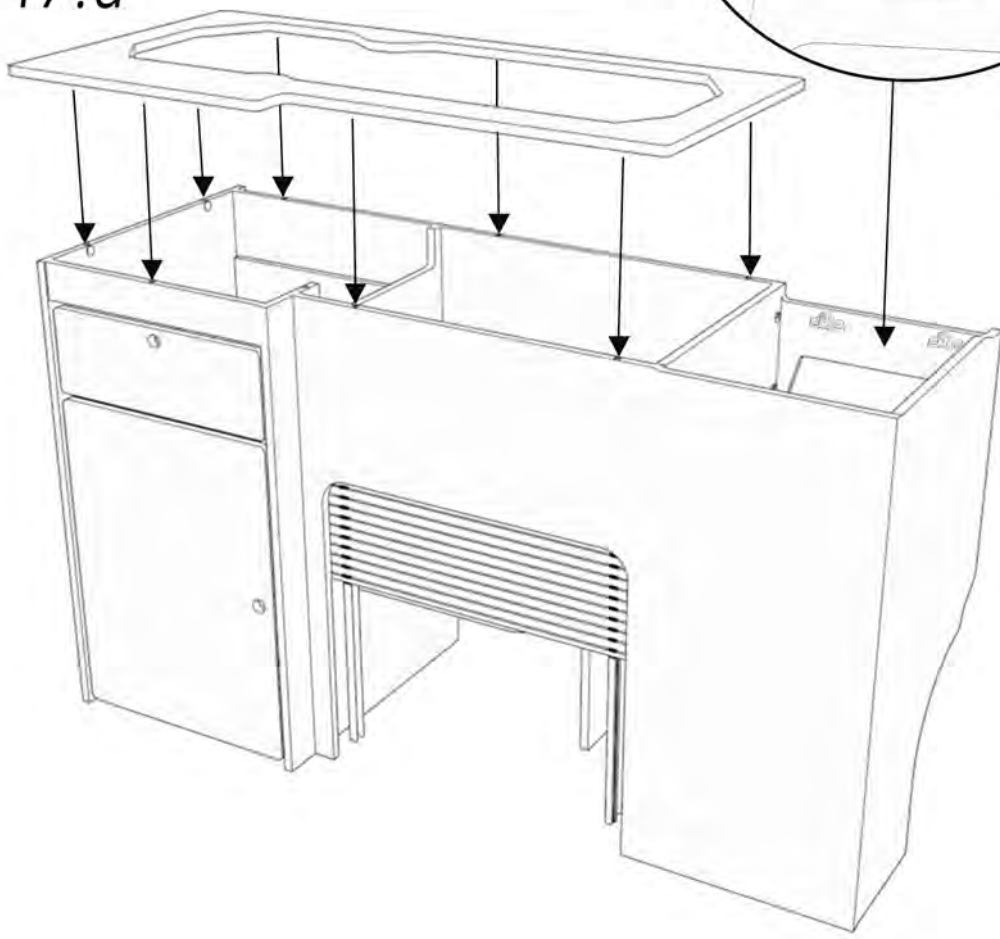


Assemble drawer using manufacturer's instructions provided with drawer set.

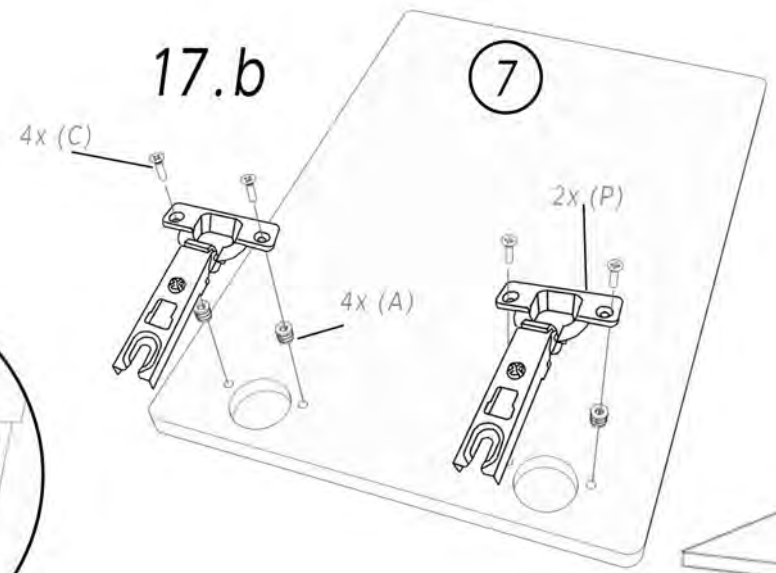
# 17.



## 17.a



## 17.b



## 17.c

