

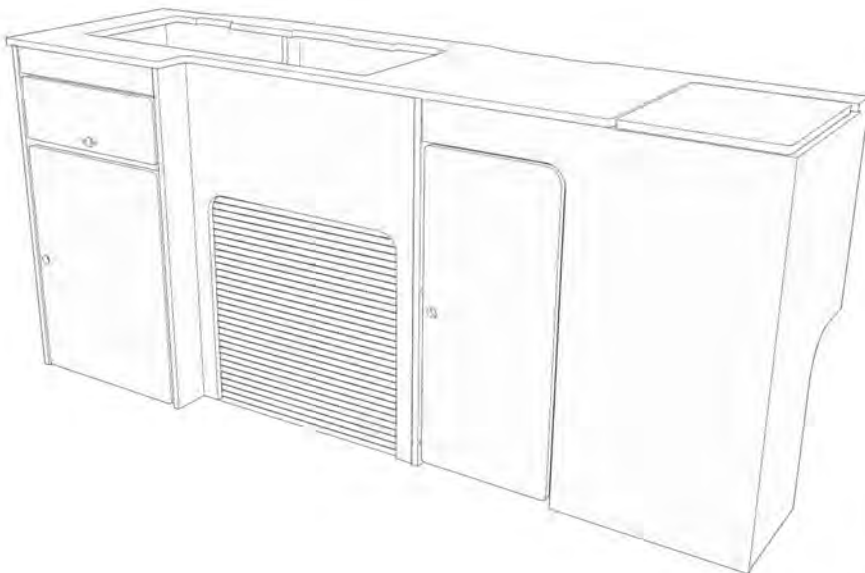
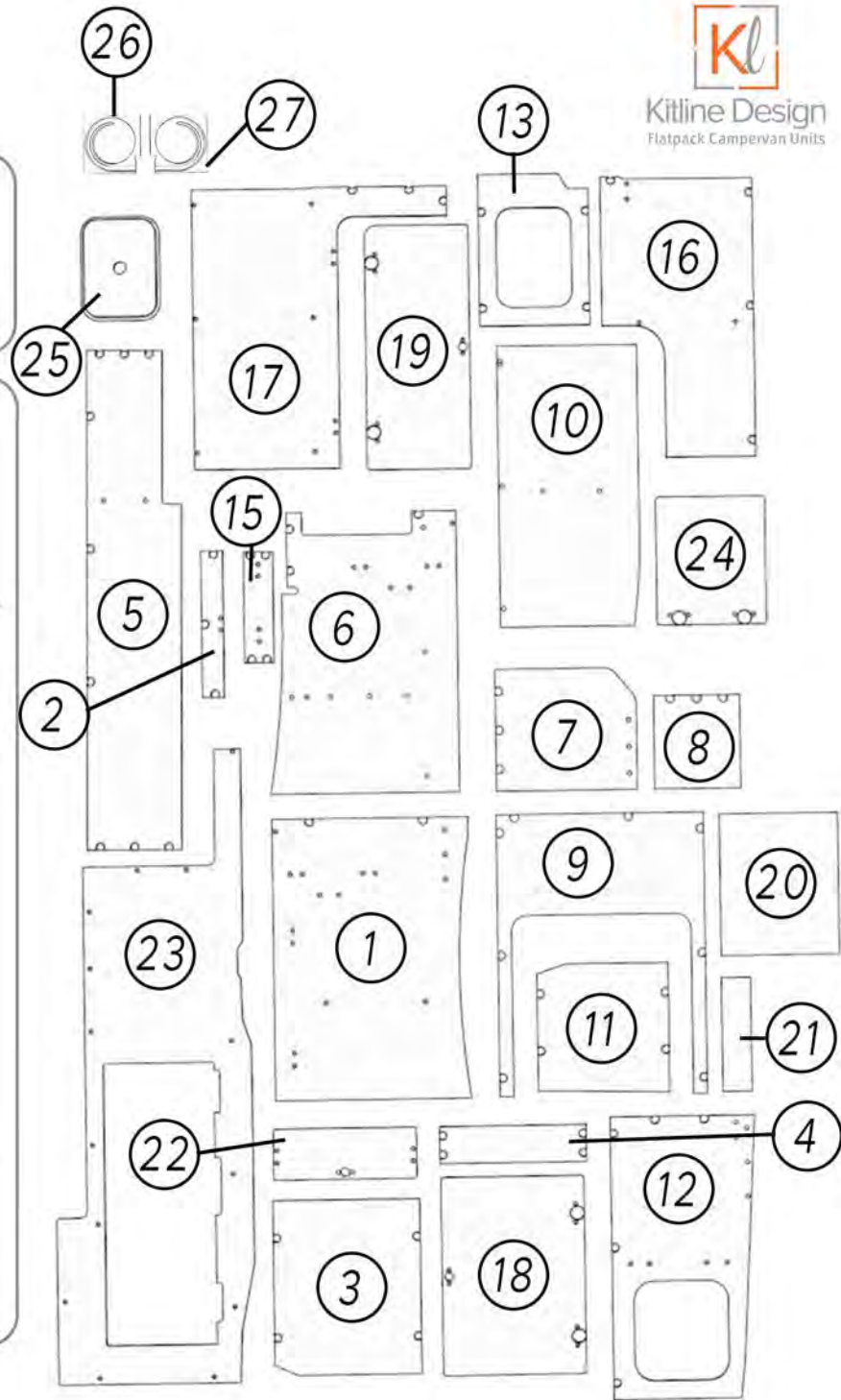
LWB-Vivaro Traffic (2015-2019)

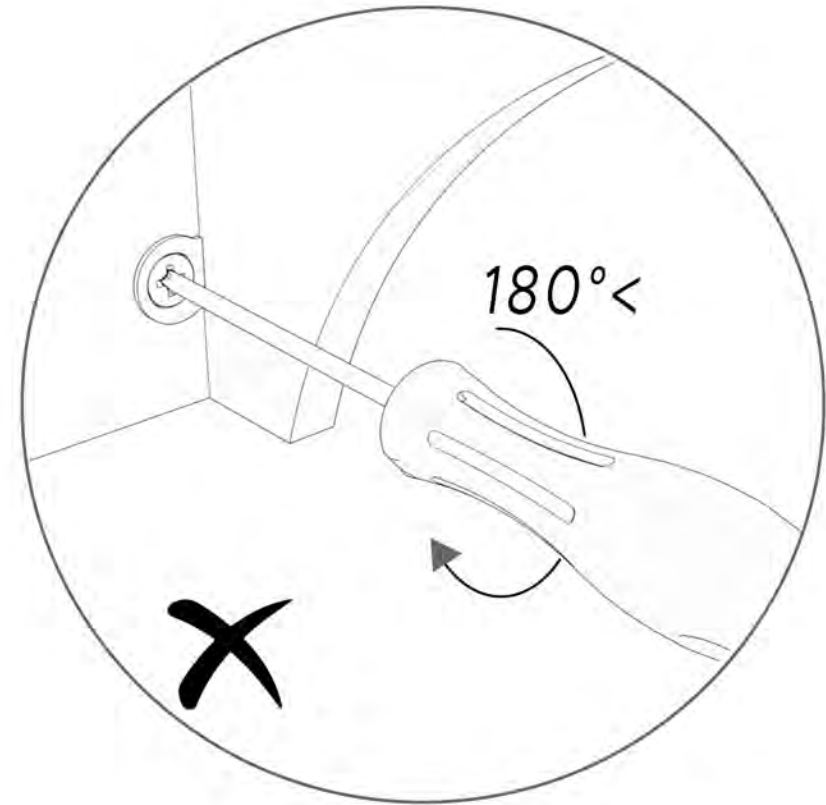
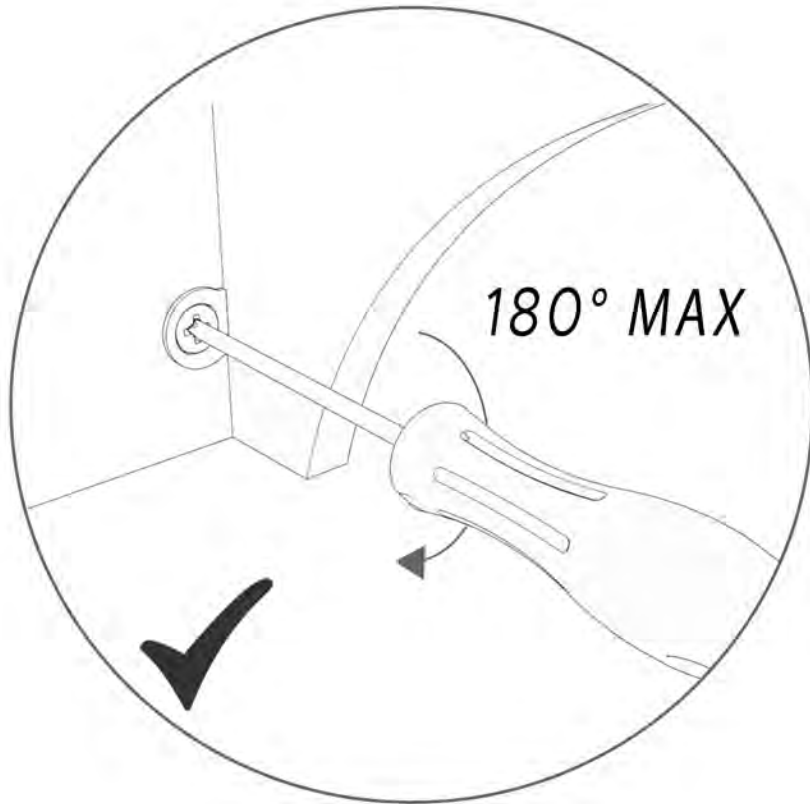


Kitline Design
Flatpack Camper van Units



- | | |
|---------------------------|----------------------------|
| | |
| 40x (A) 8mm Grommet | 65x (B) One Fix |
| | |
| 40x (C) 15mm screws | 3x (D) Push button Case |
| | |
| 4x (O) 30mm screws | 3x (E) Push Button Rosette |
| | |
| 3x (F) Push button | 6x (I) Mounting Plate |
| | |
| 3x (G) Flat Hinge | 2x (P) Cranked Hinge |
| | |
| 1x (M) striker plate flat | 2x (N) (450) Tambour Track |
| | |
| 2x (G) Flat Hinge | 1x (L) Tambour door Curved |
| | |
| 2x (Q) ScrewBlock | 2x (R) ScrewBlock Cap |



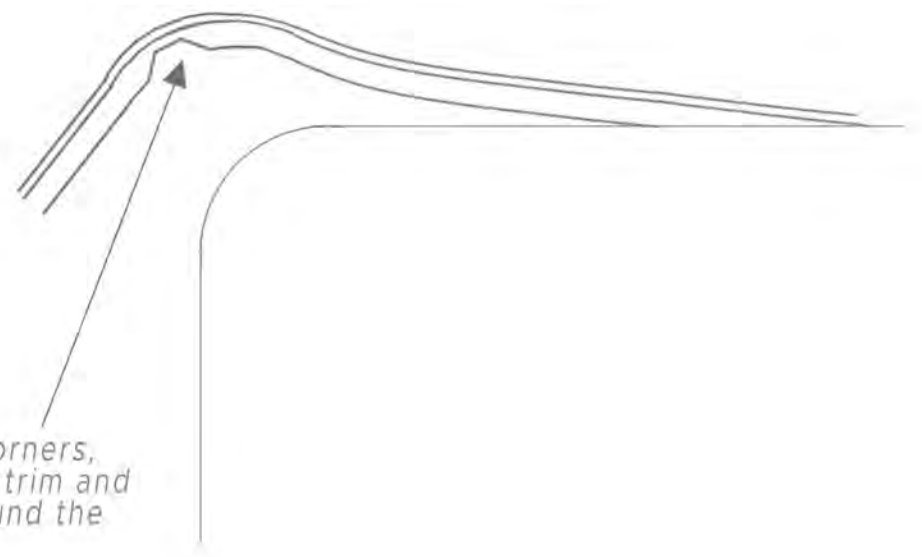
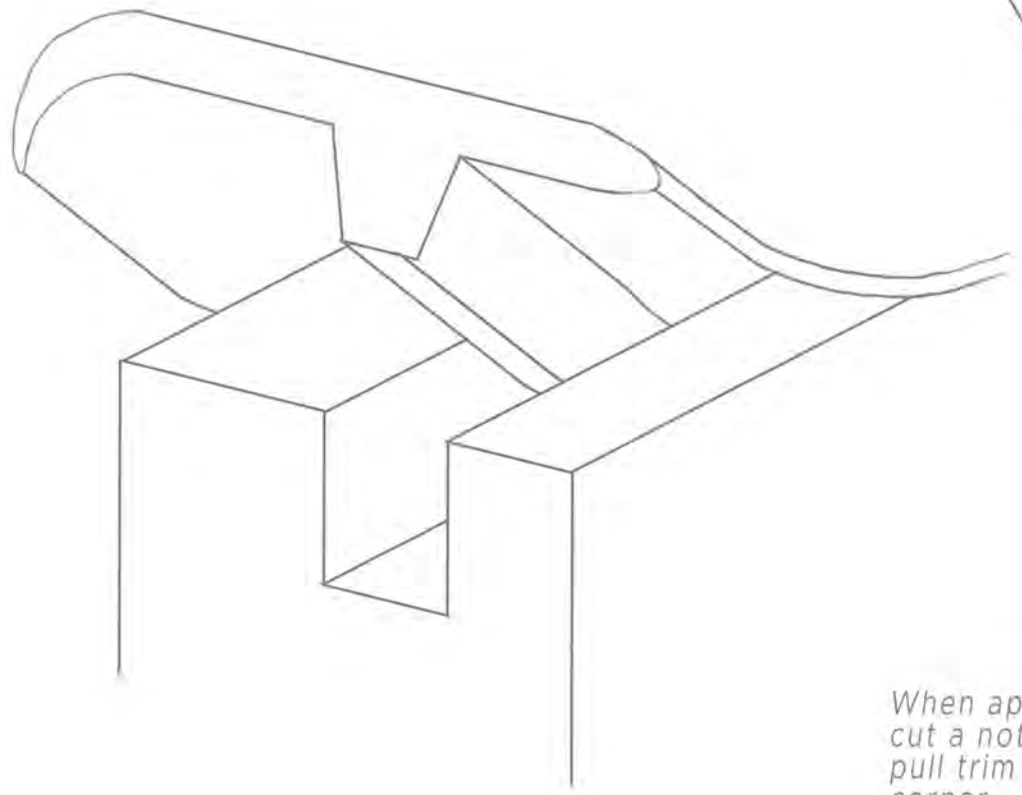
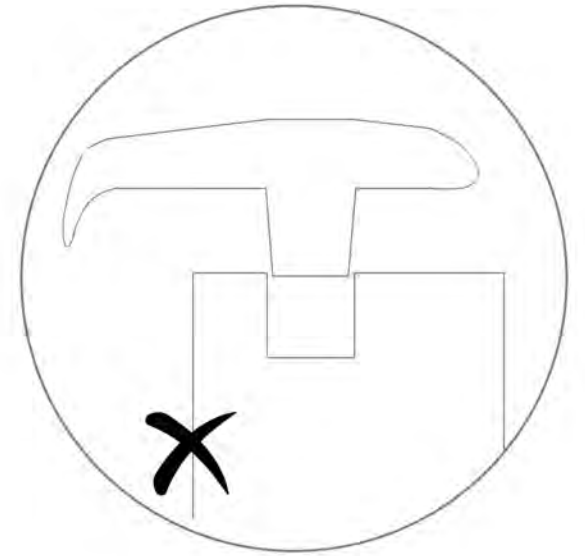
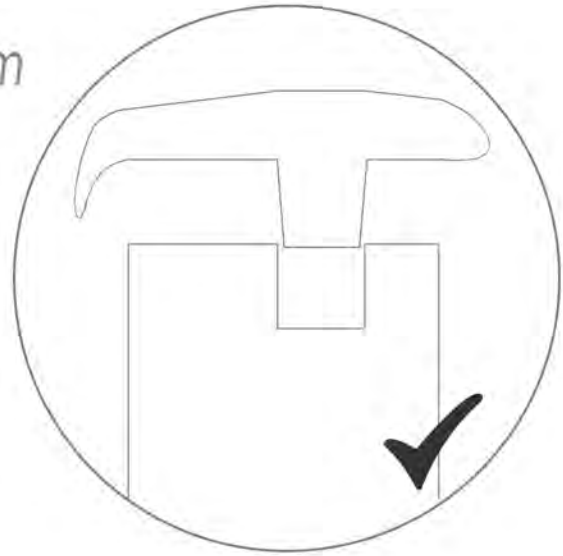


Do not over tighten Onefix
Connectors!

1.

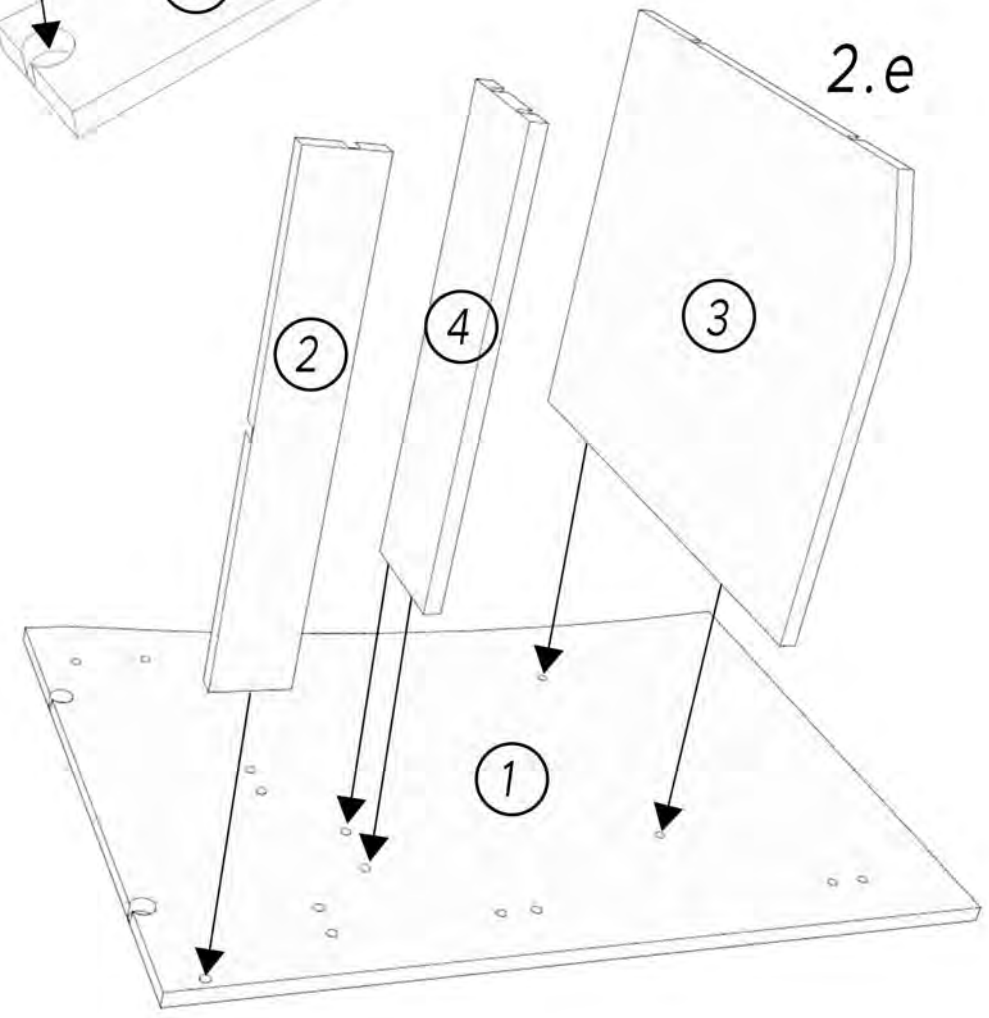
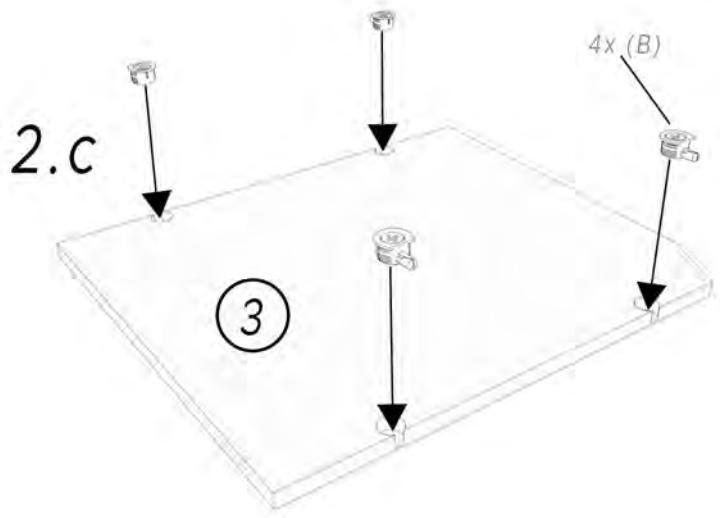
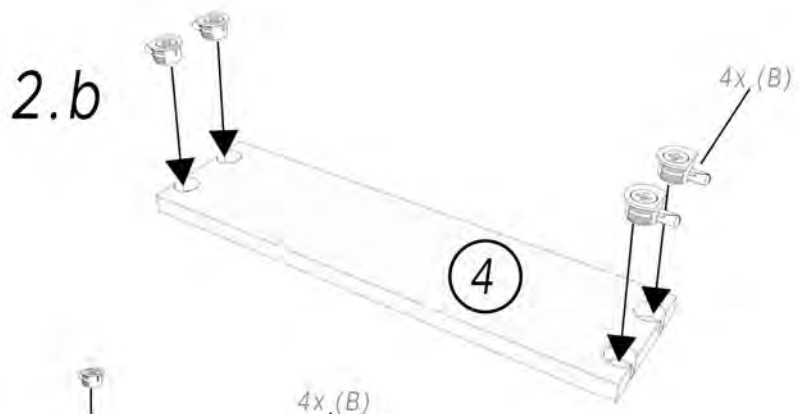
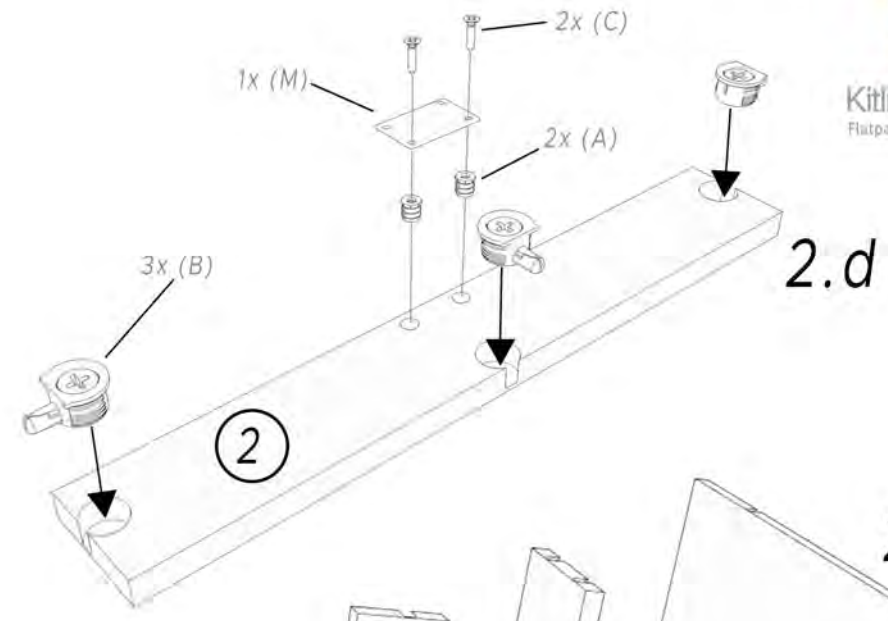
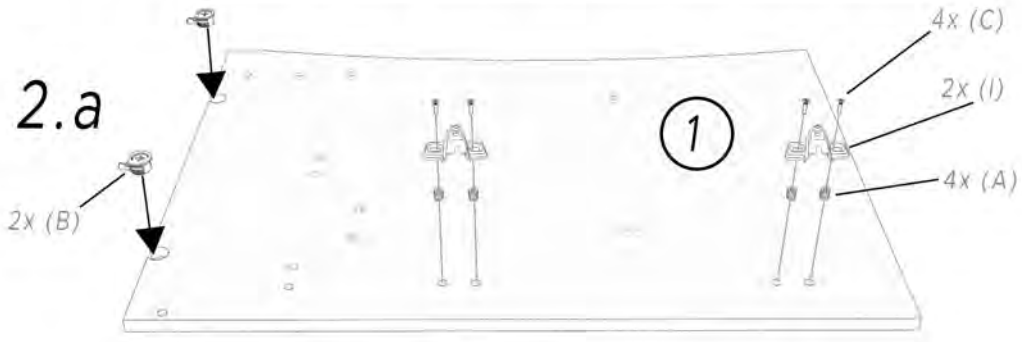
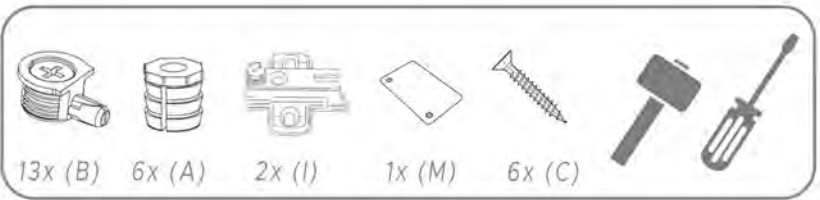


All pieces should have T-Trim applied before assembly!

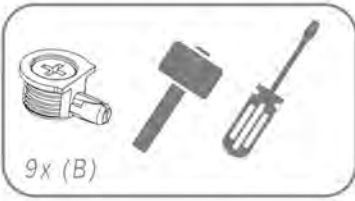


When applying to corners, cut a notch into the trim and pull trim tightly around the corner.

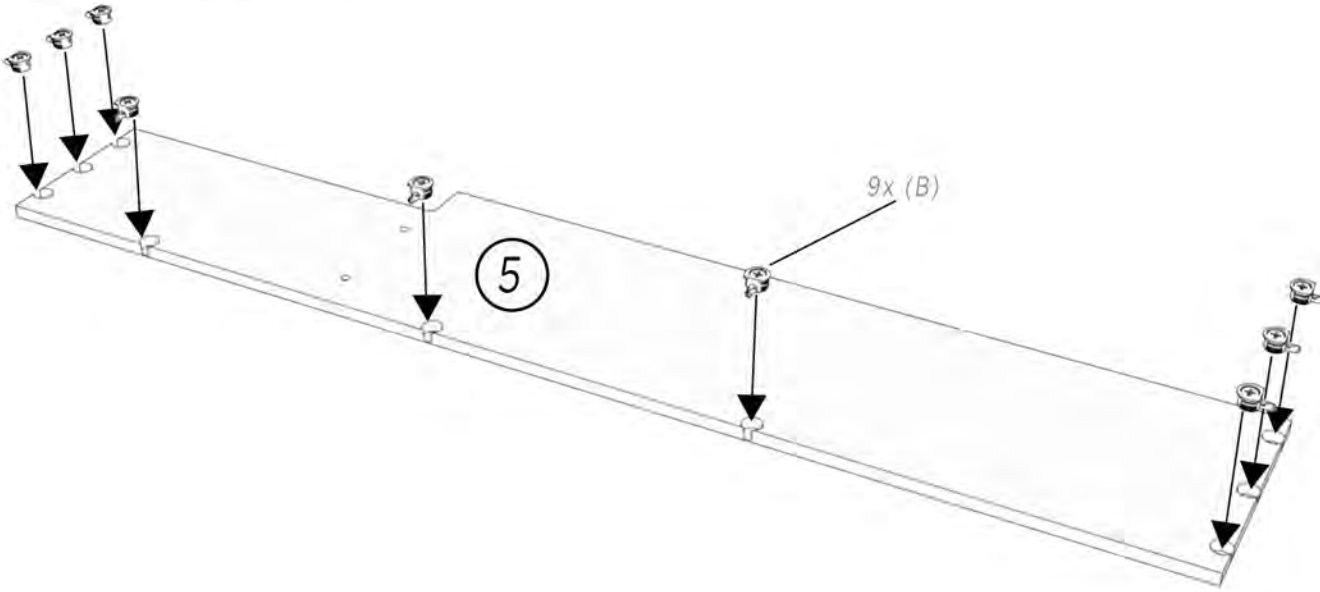
2.



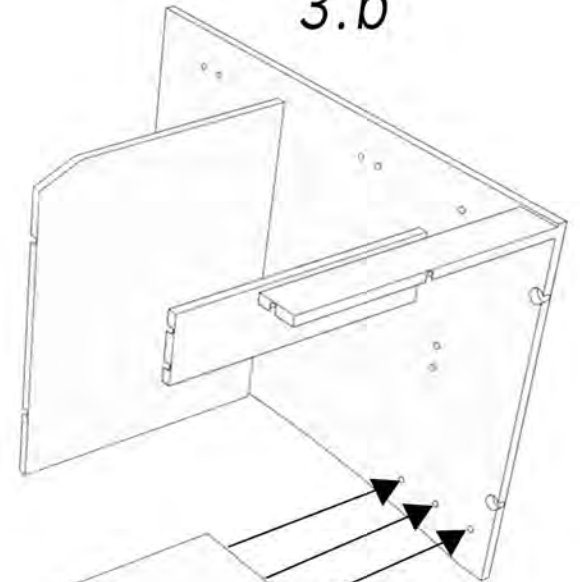
3.



3.a

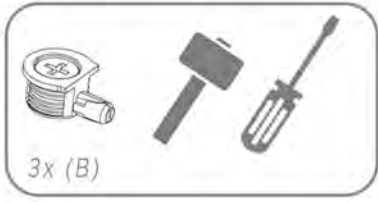


3.b

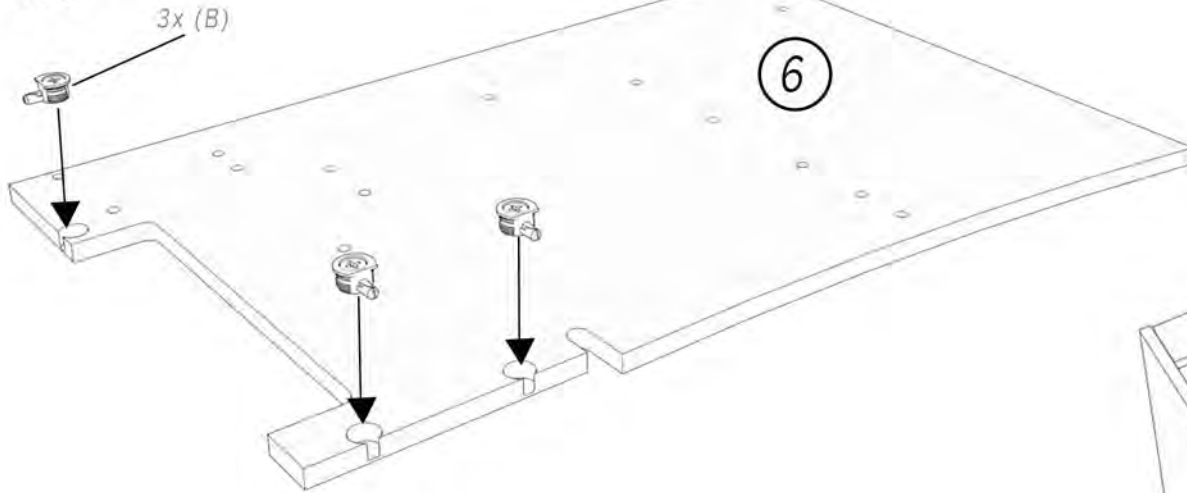


5

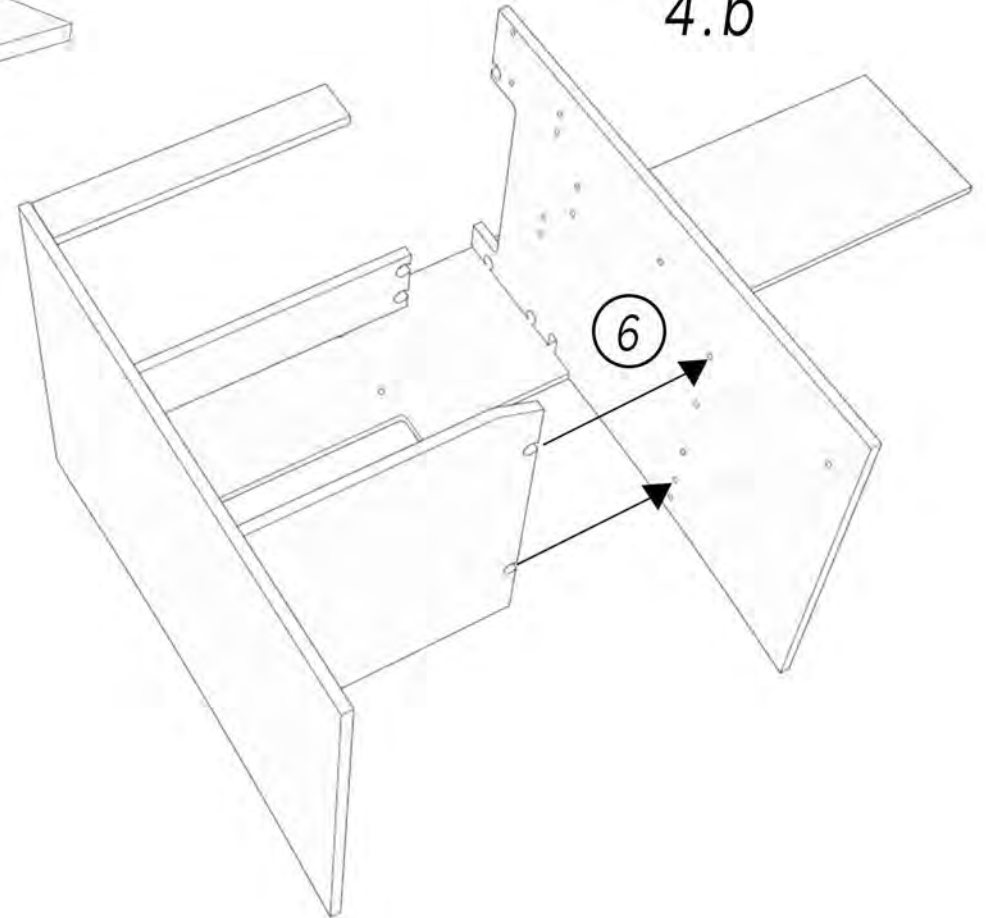
4.



4.a

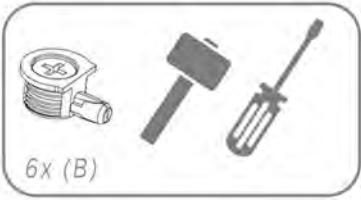


4.b

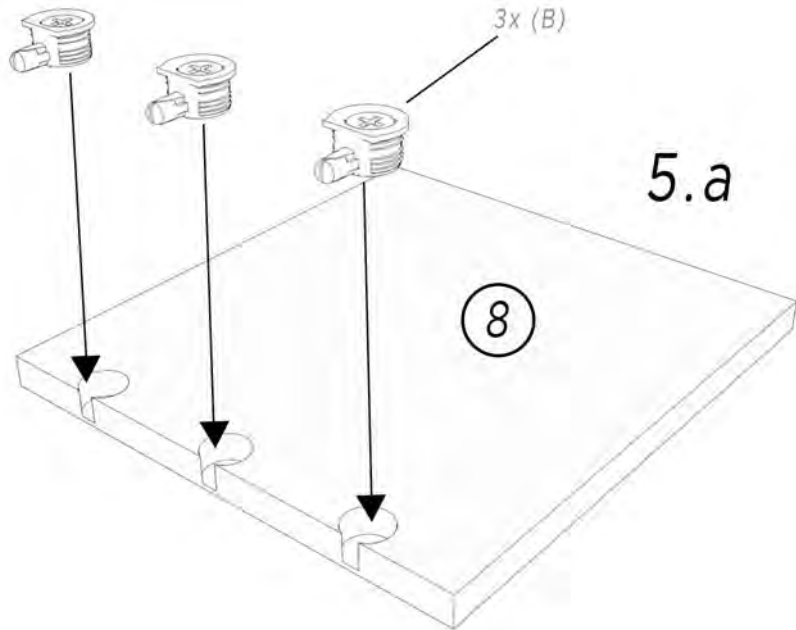




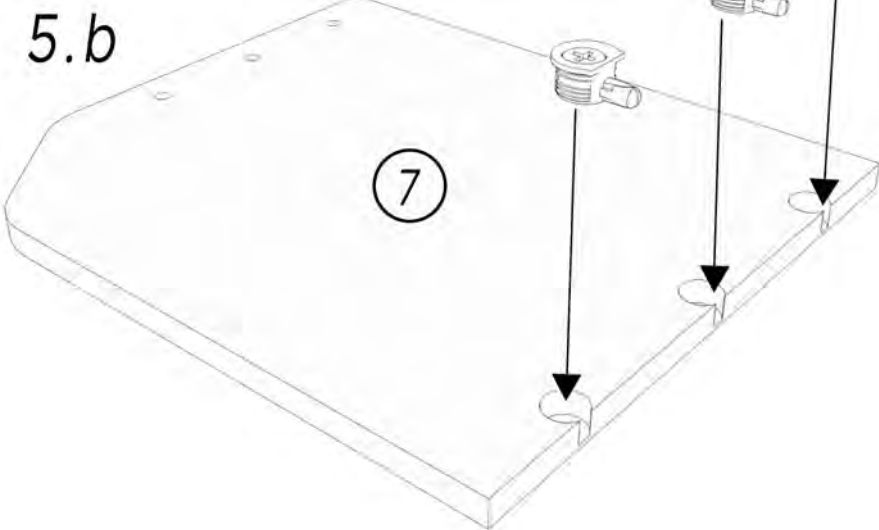
5.



6x (B)

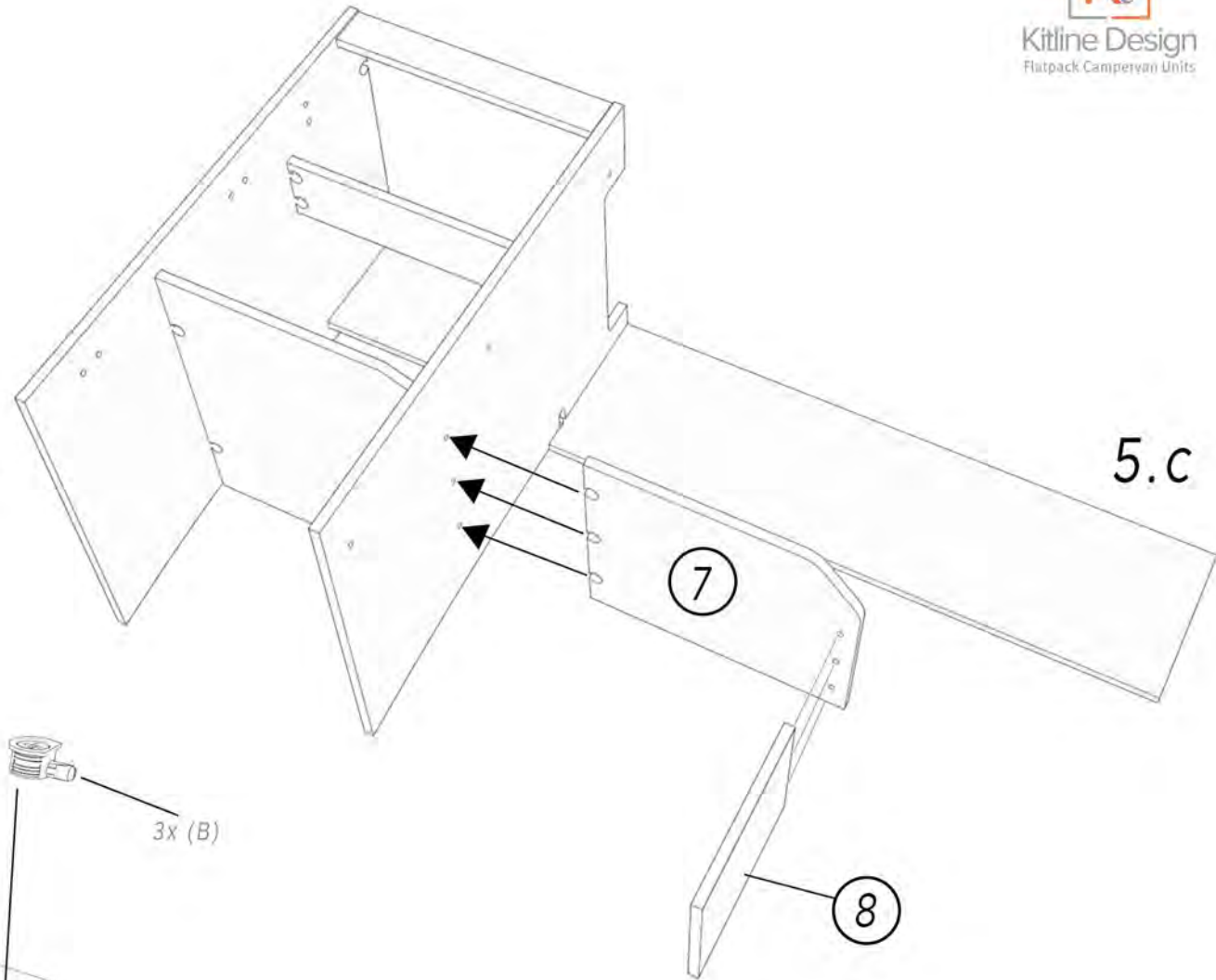


5.a



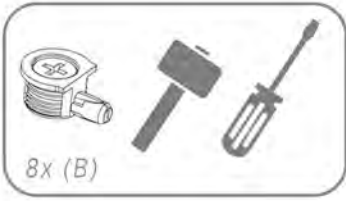
5.b

3x (B)

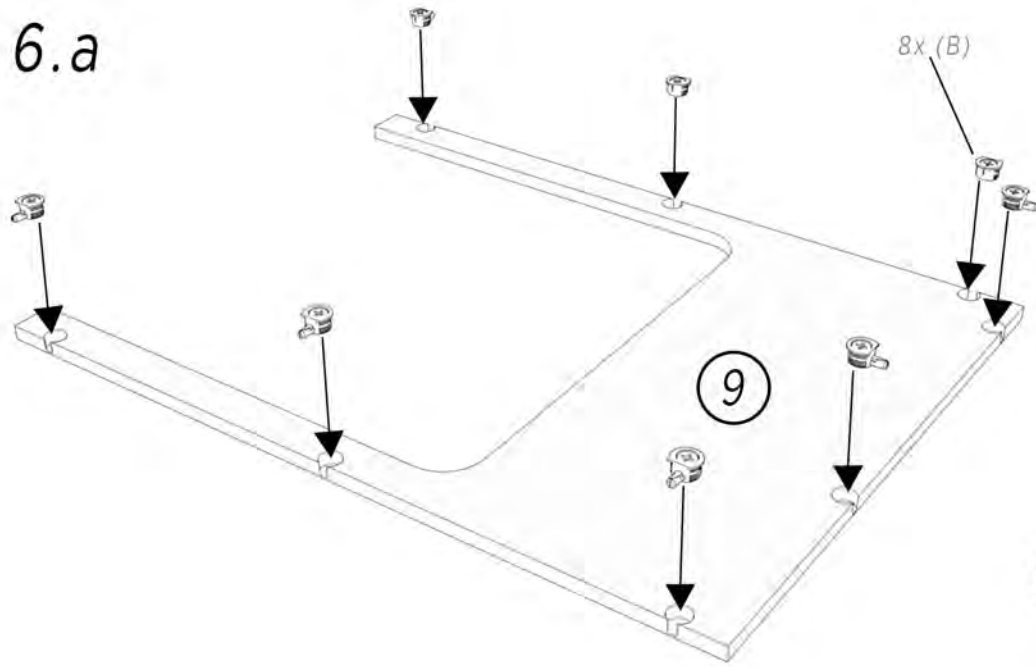


5.c

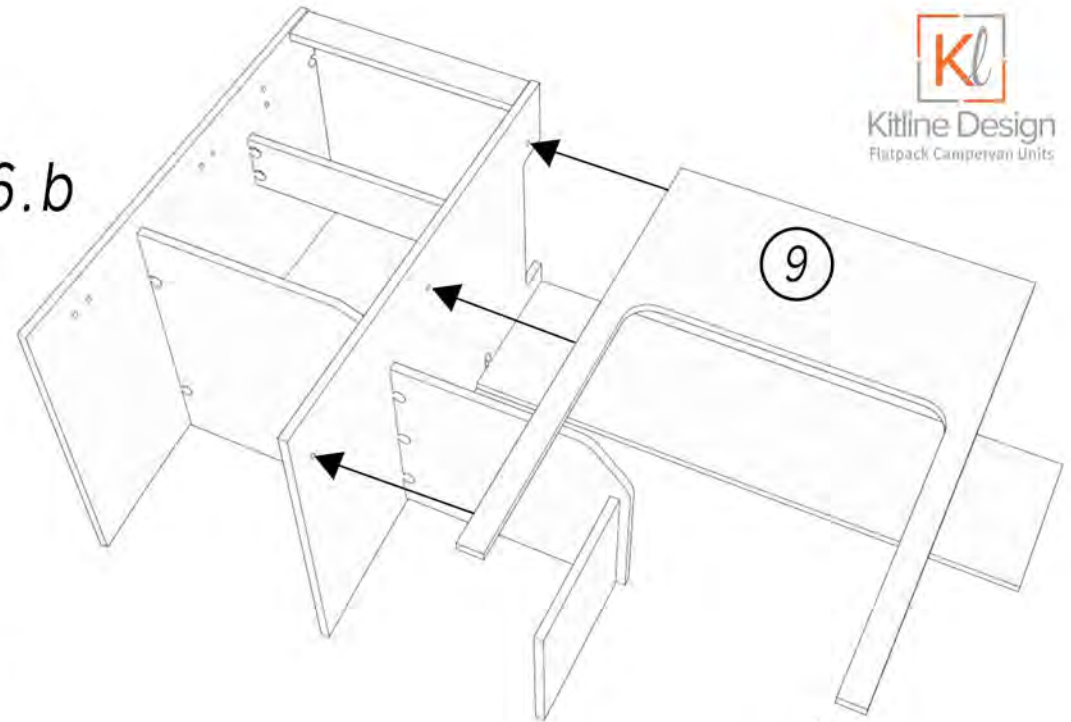
6.



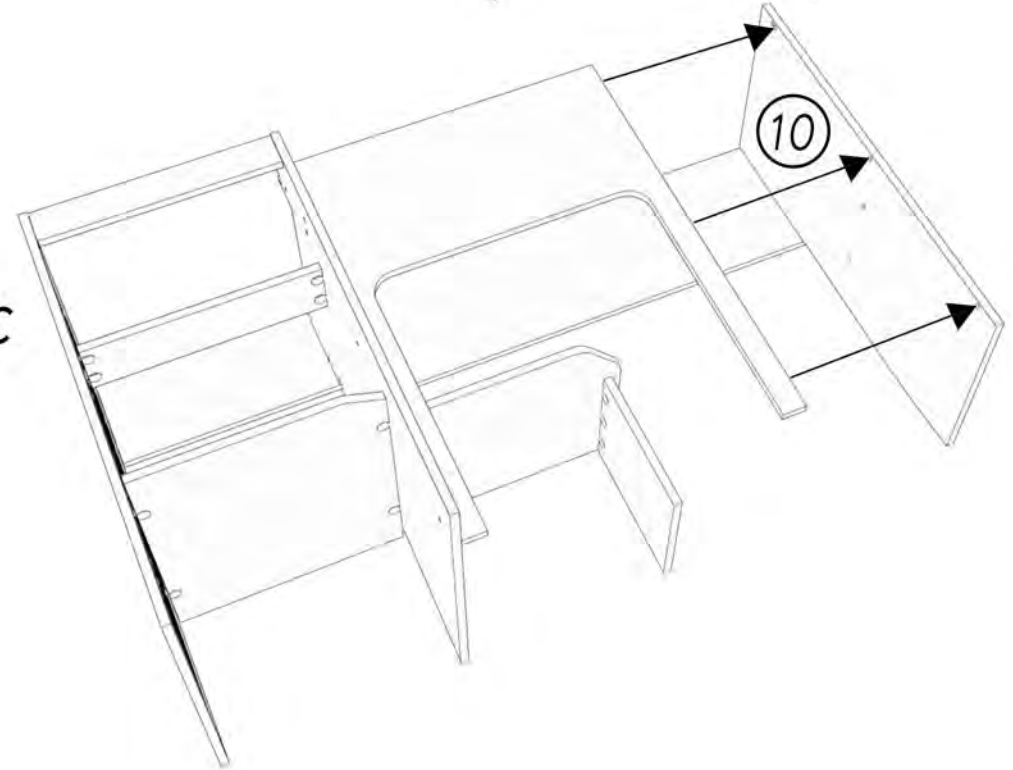
6.a



6.b

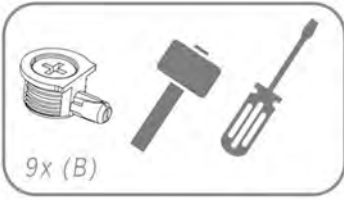


6.c

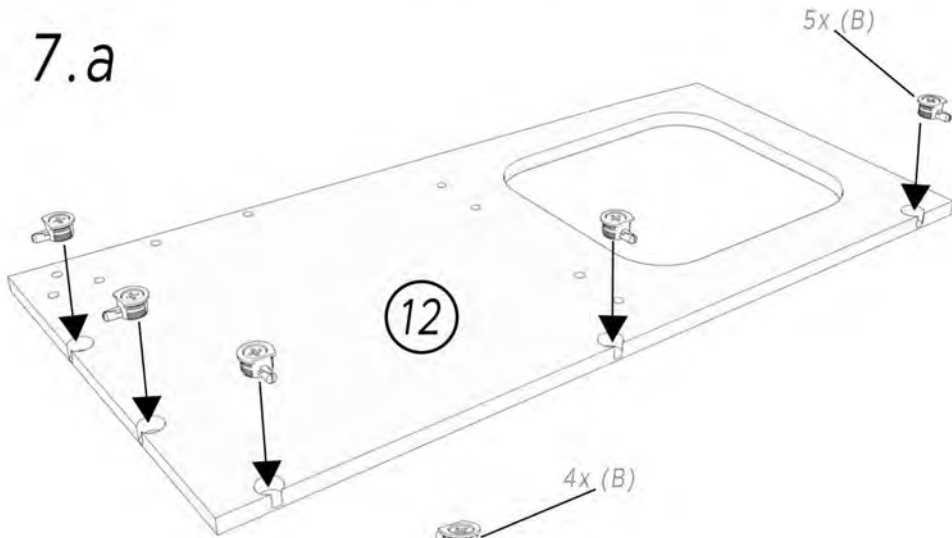


Kitline Design
Flutpack Campervan Units

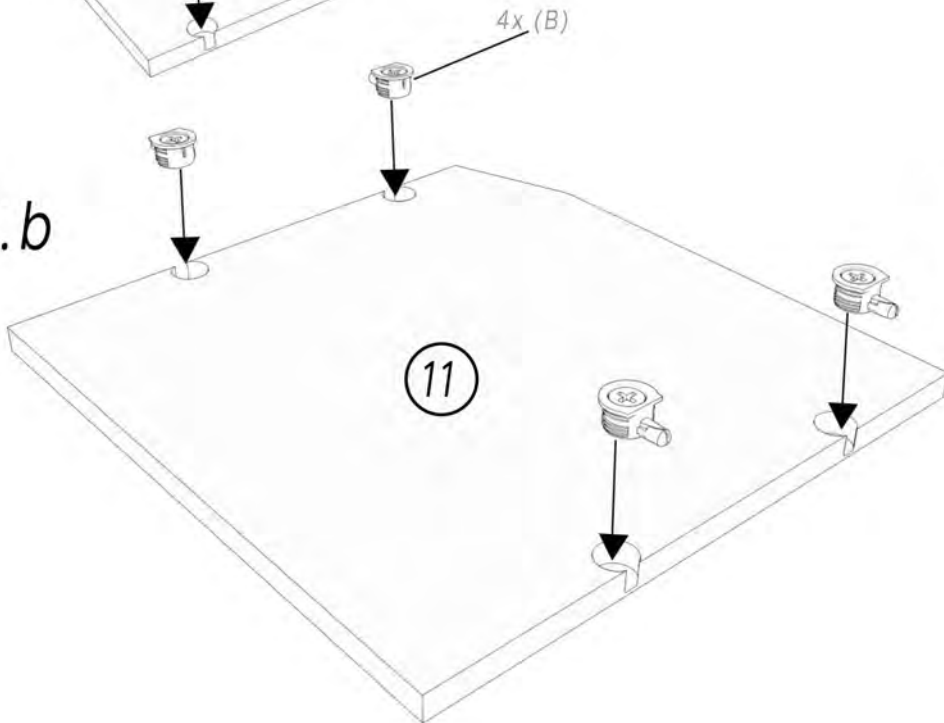
7.



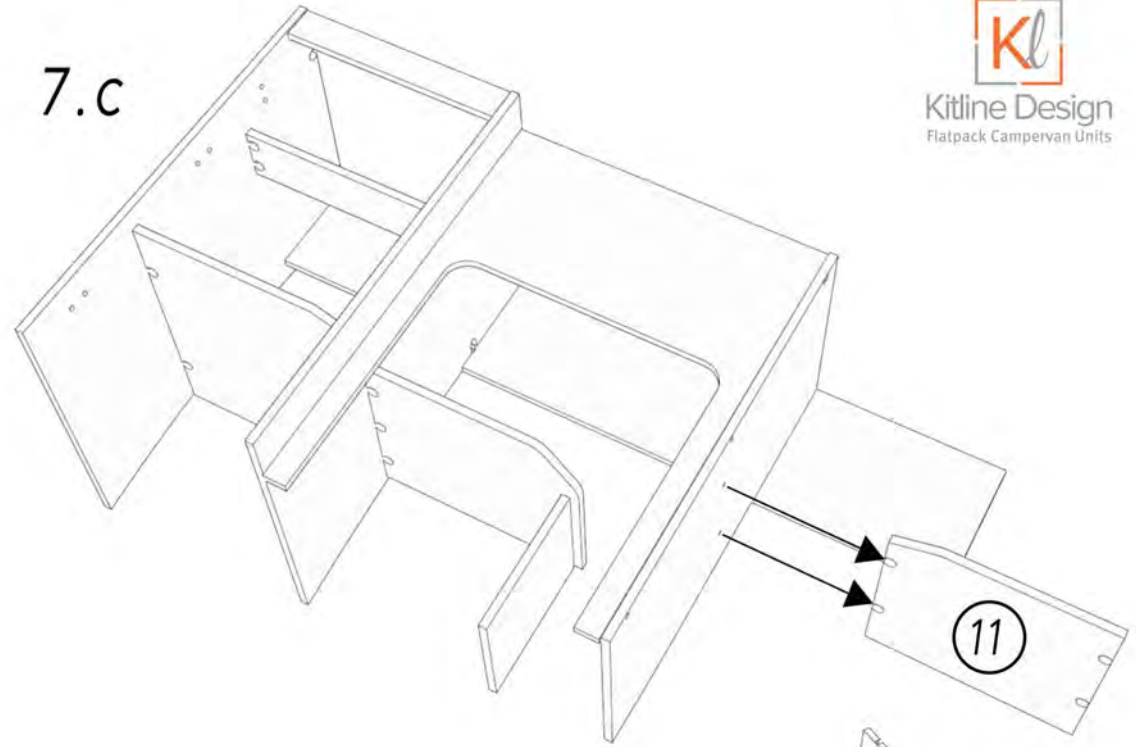
7.a



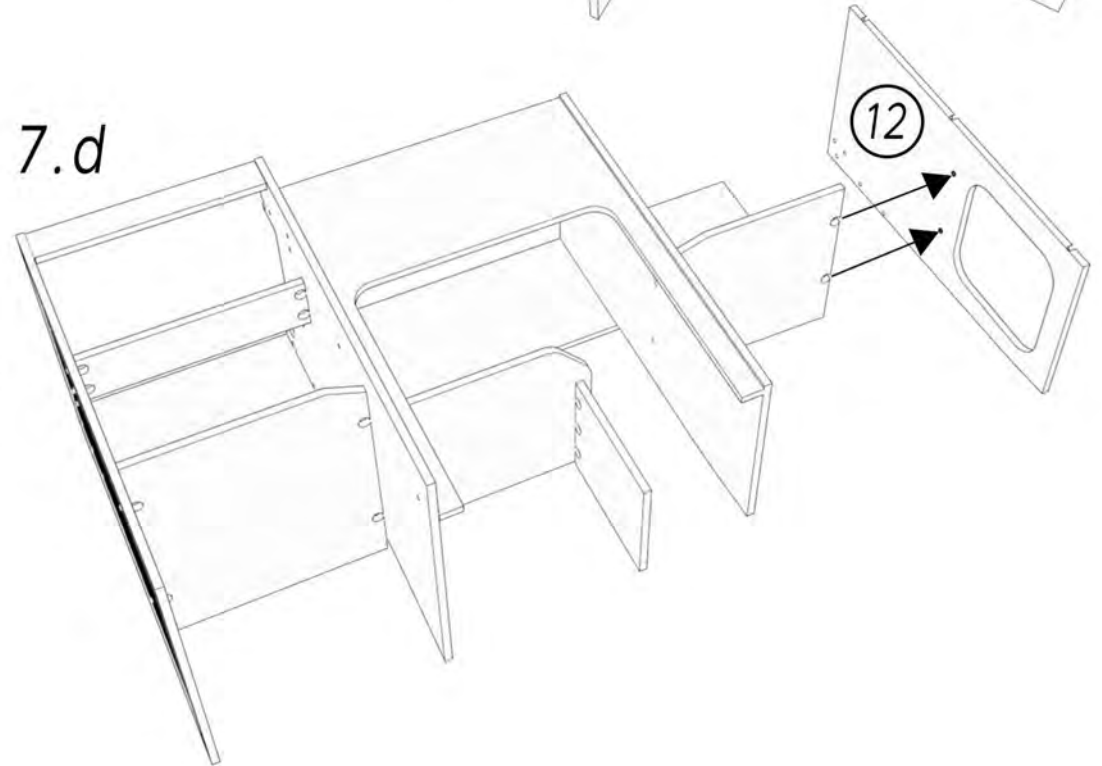
7.b



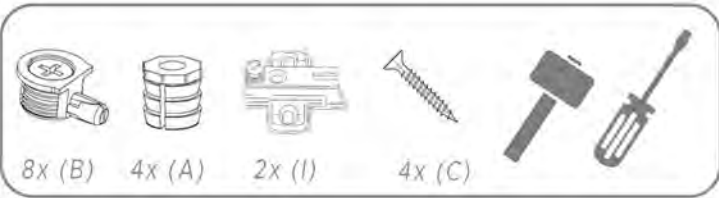
7.c



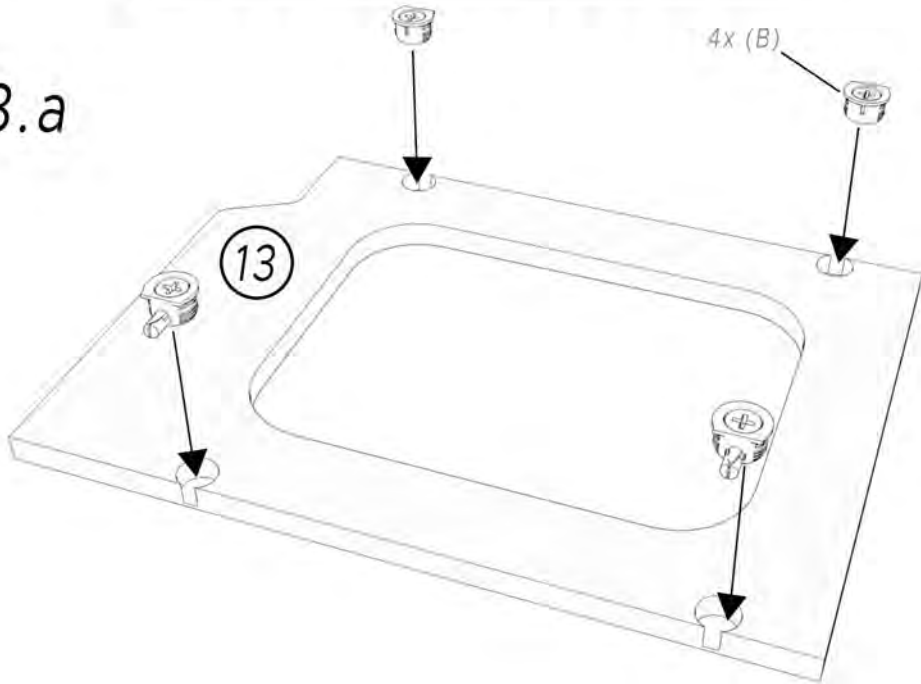
7.d



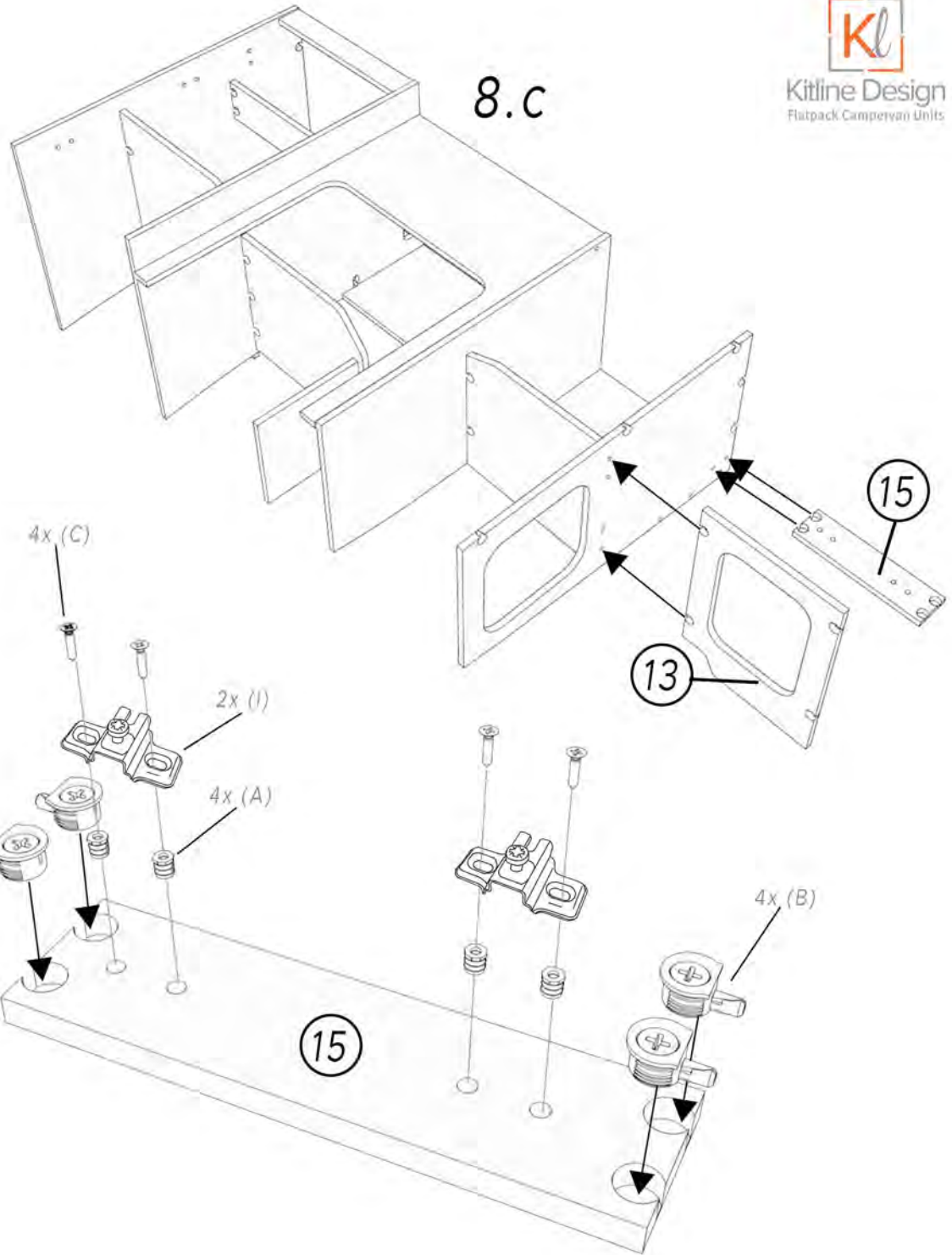
8.



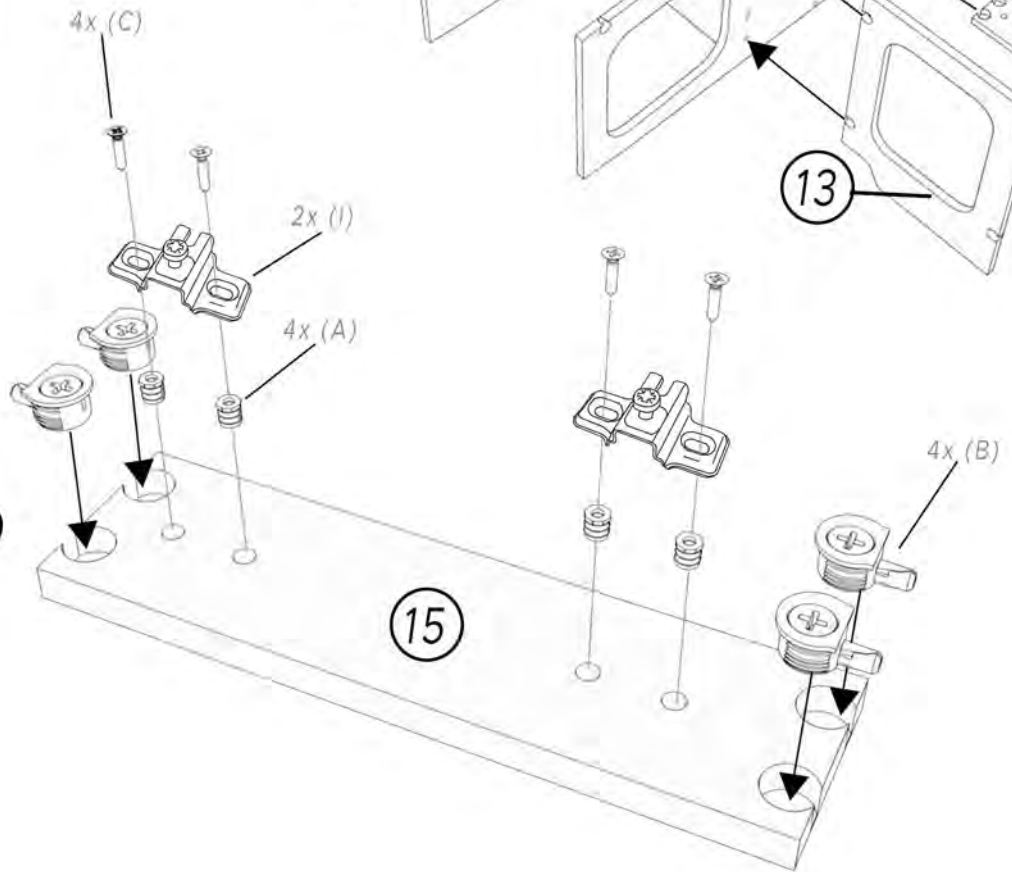
8.a



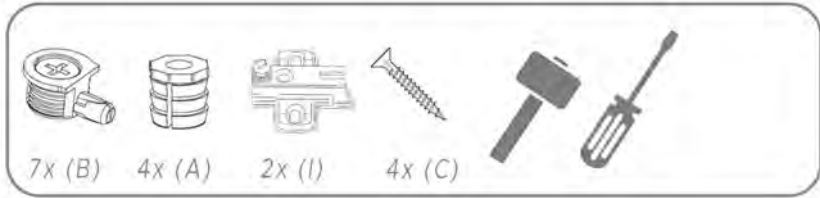
8.c



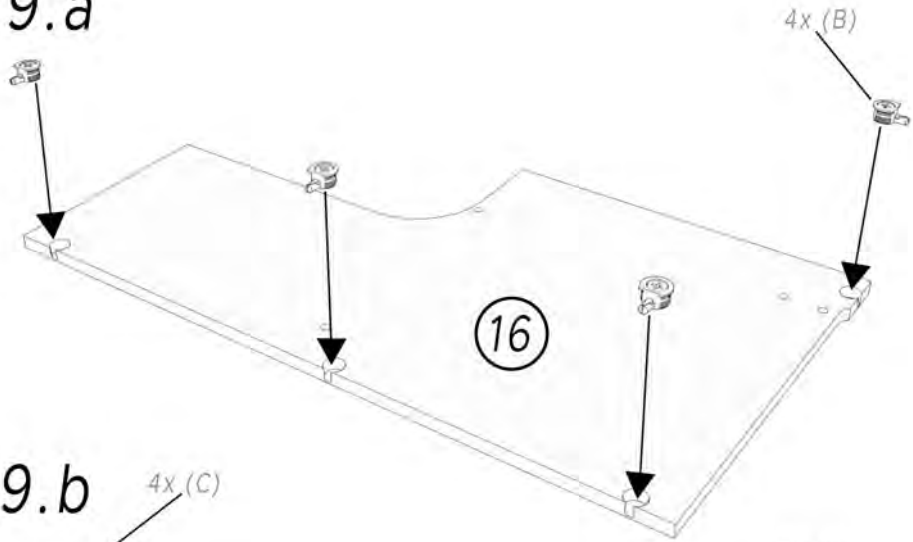
8.b



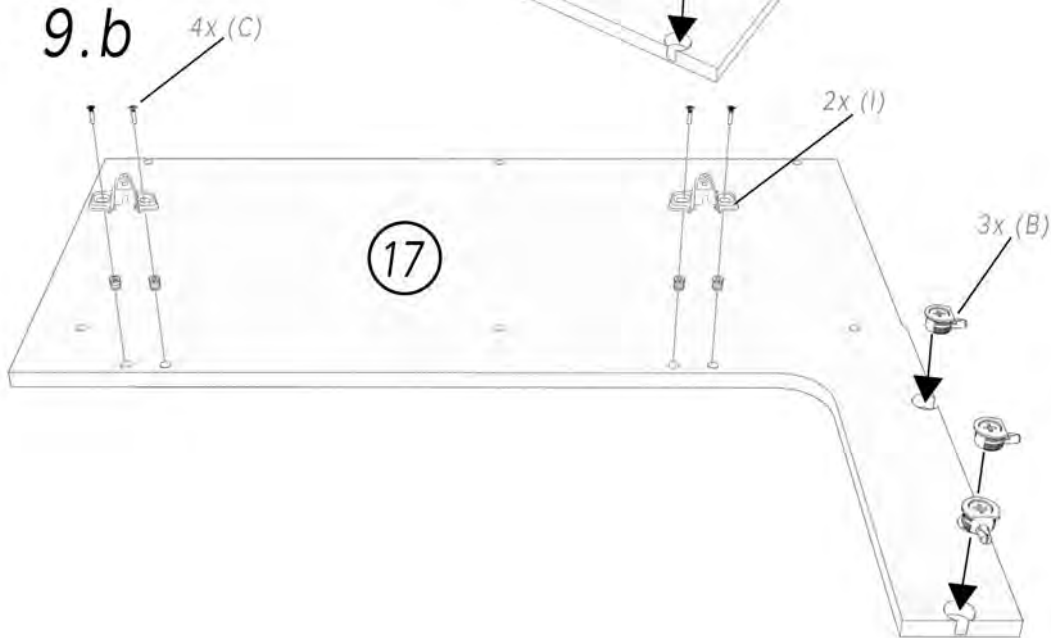
9.



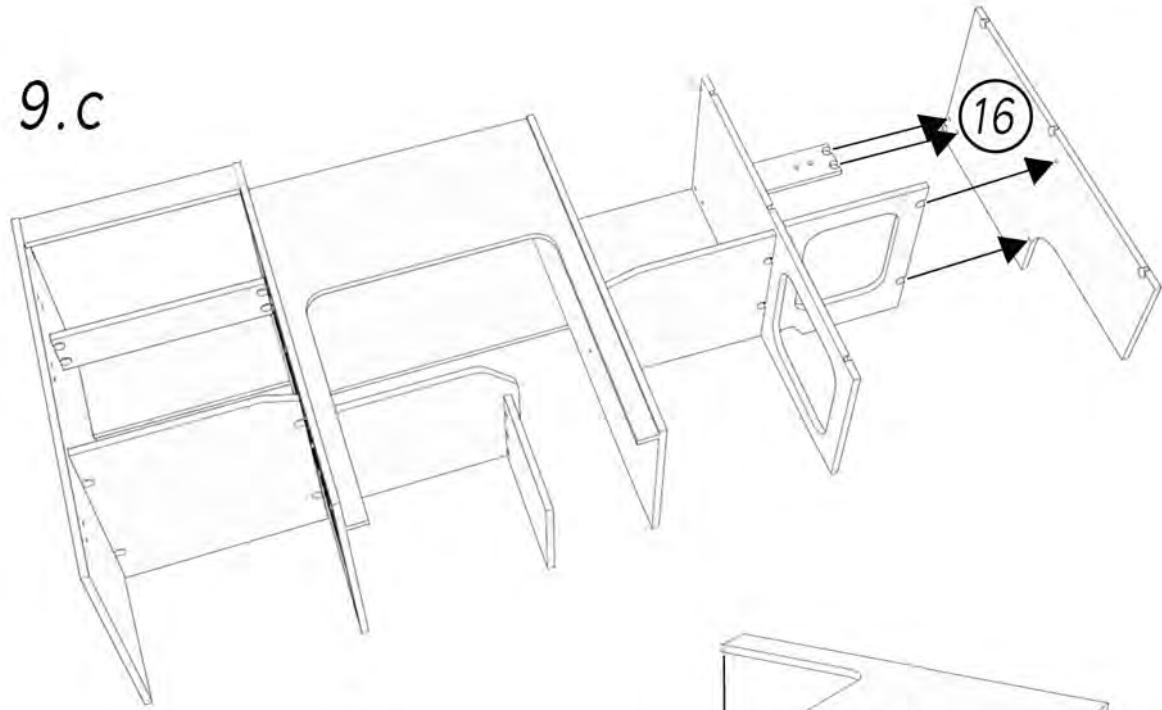
9.a



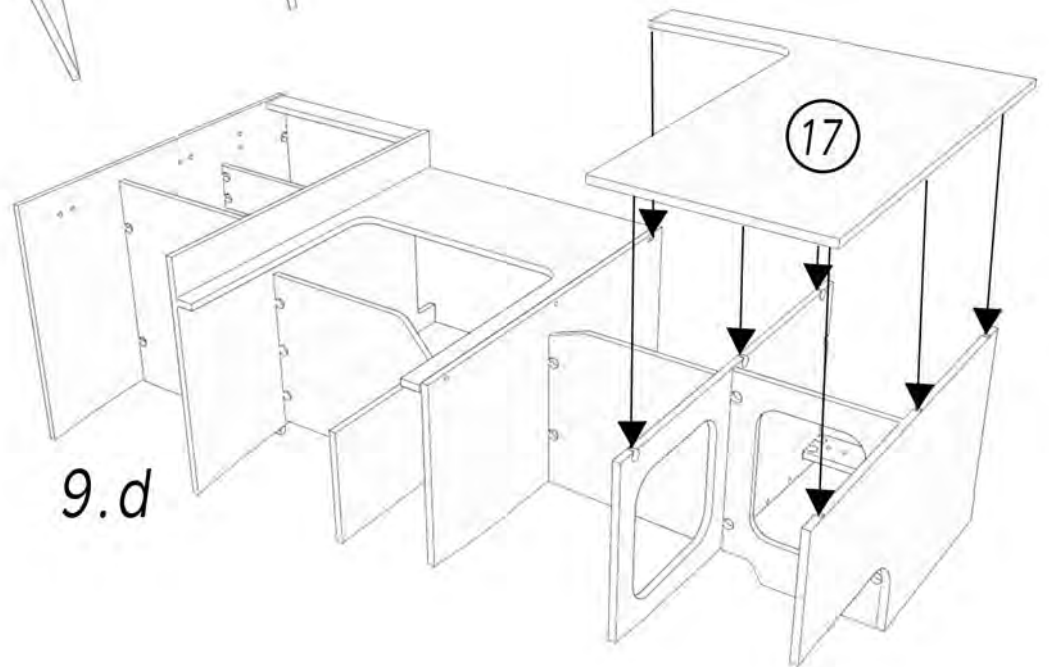
9.b



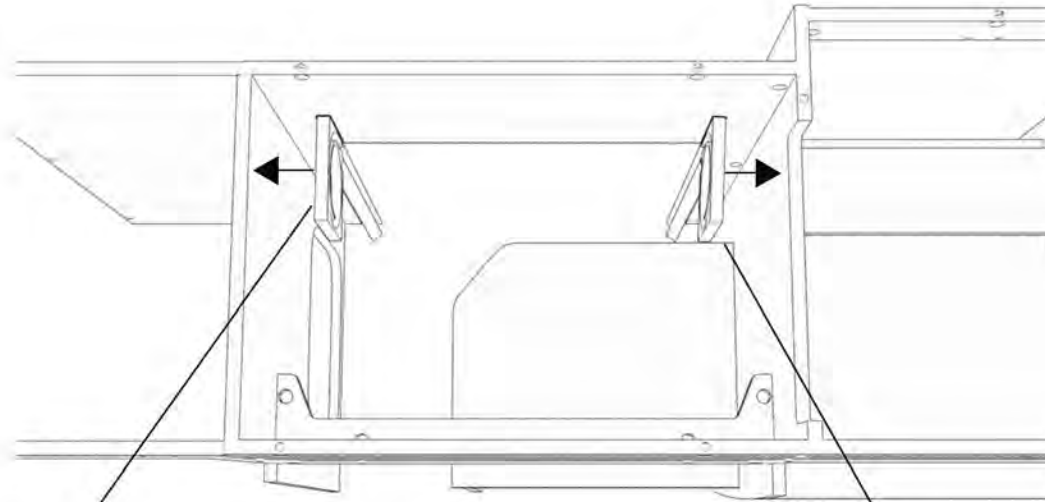
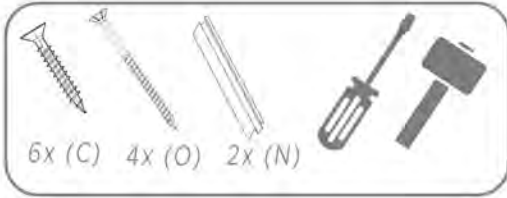
9.c



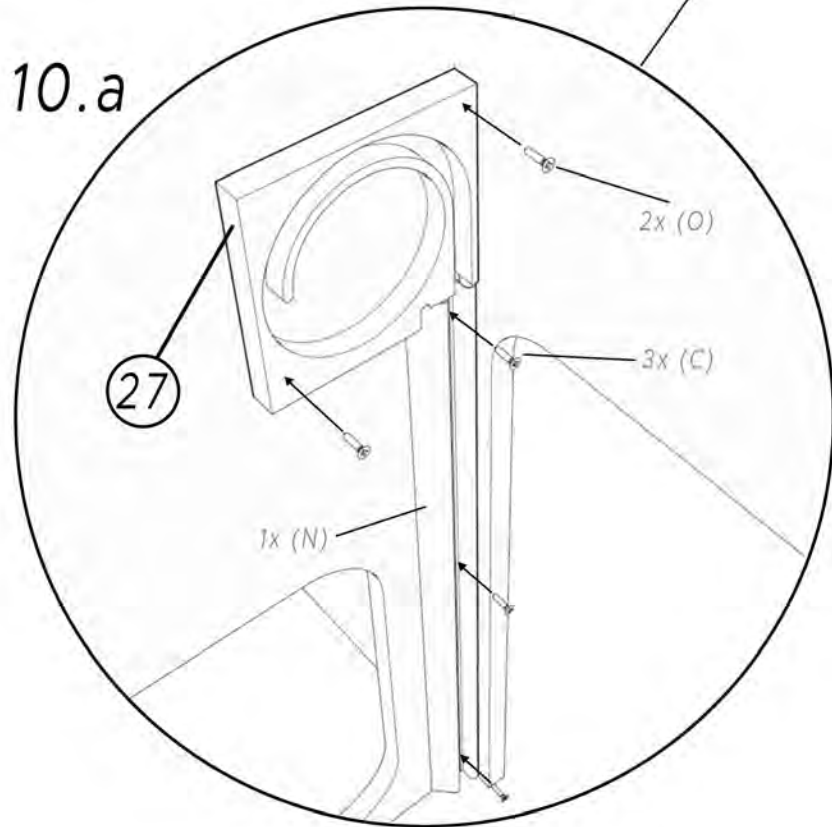
9.d



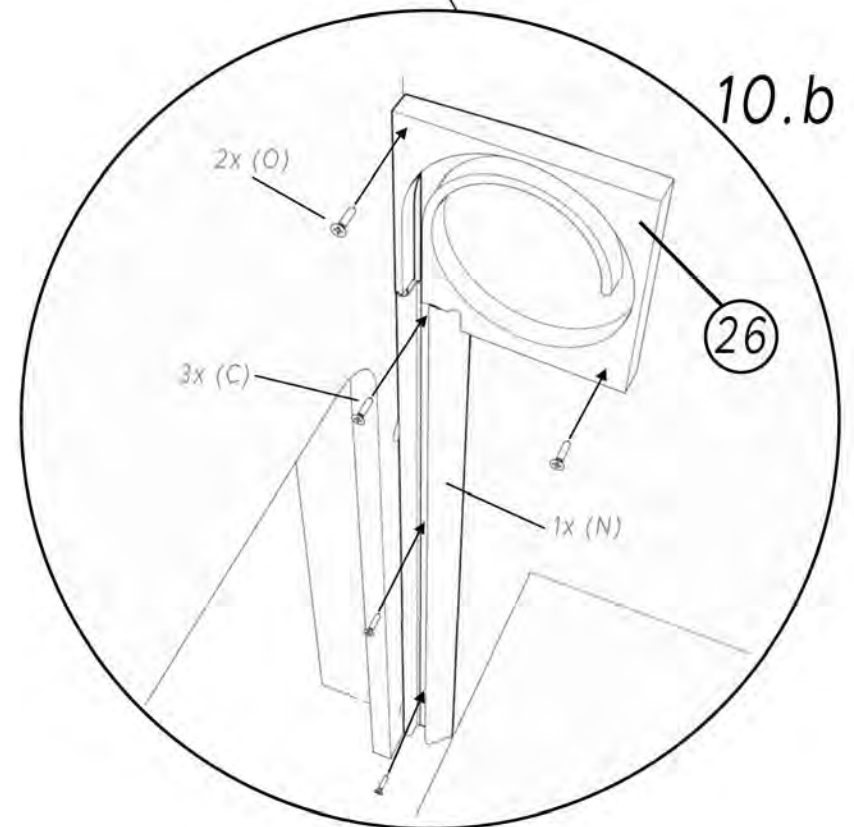
10.



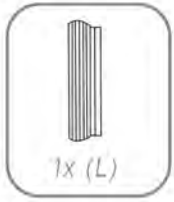
10.a



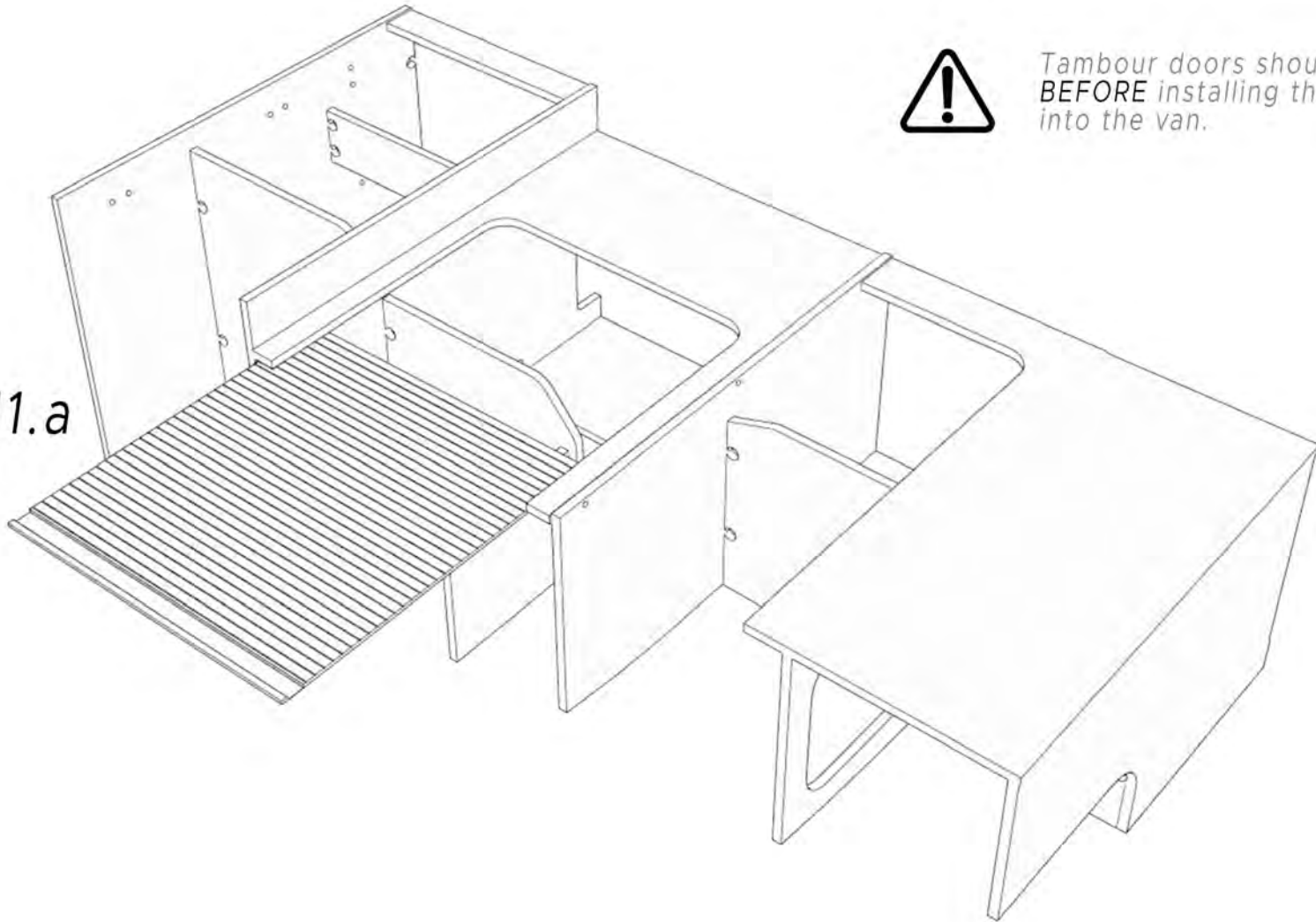
10.b



11.

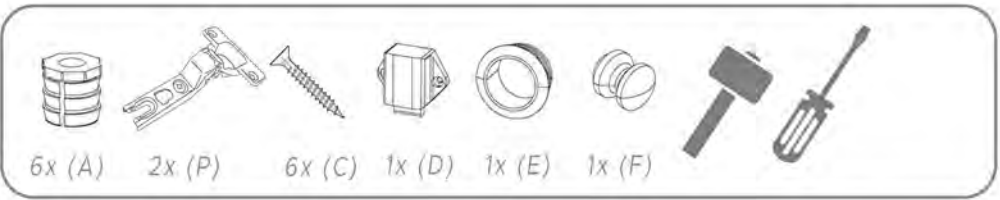


11.a

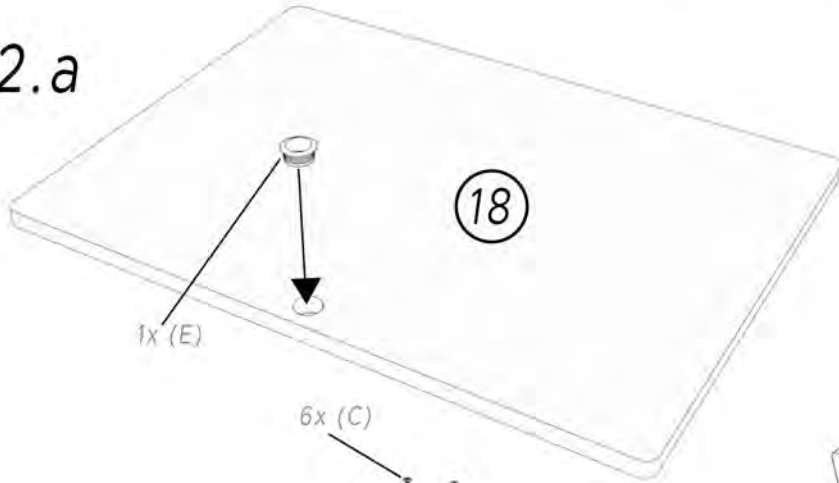


*Tambour doors should be fitted
BEFORE installing the units
into the van.*

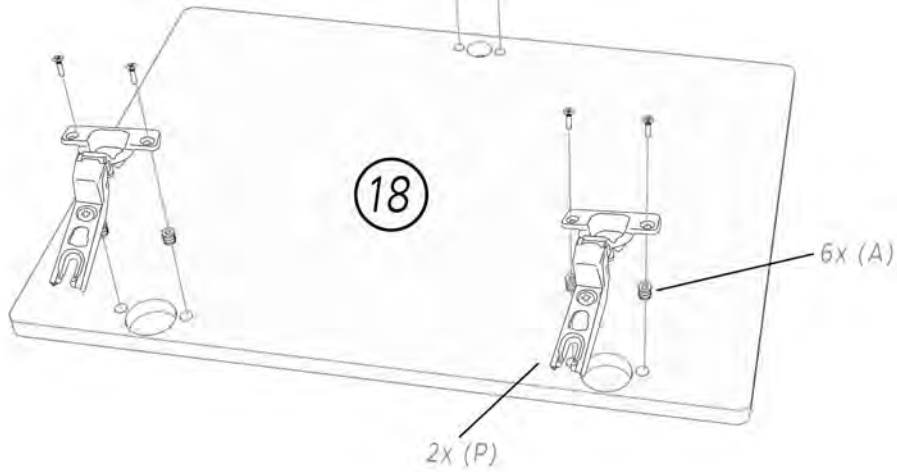
12.



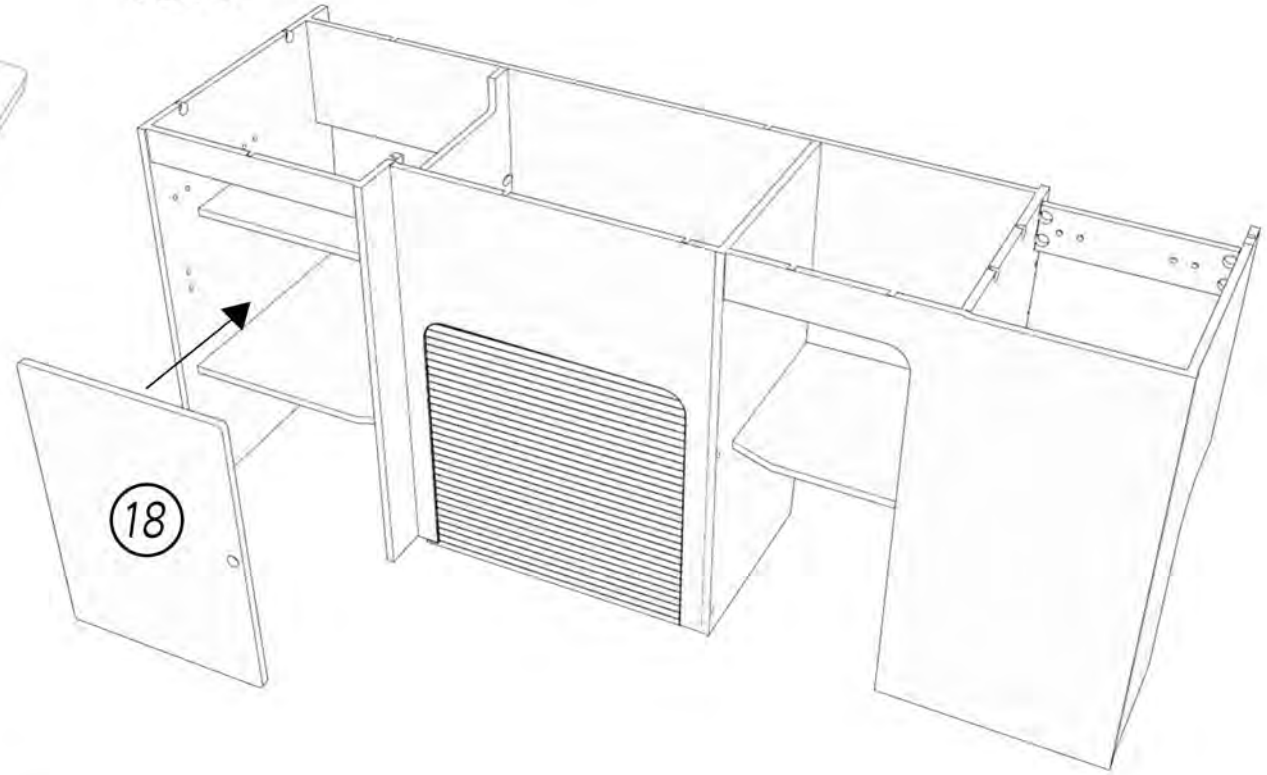
12.a



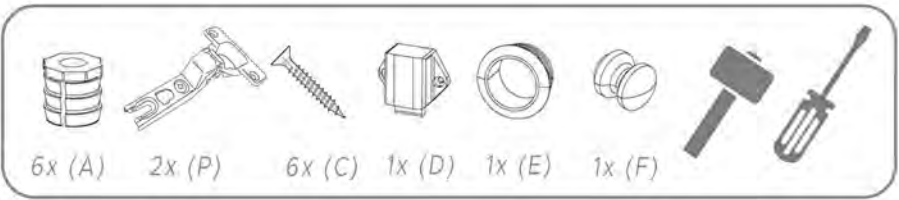
12.b



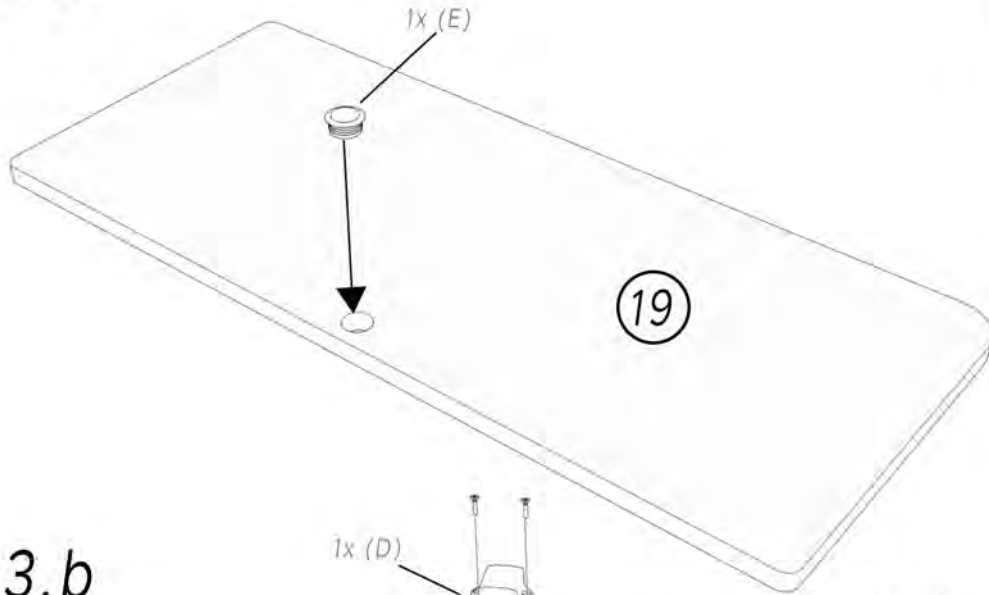
12.c



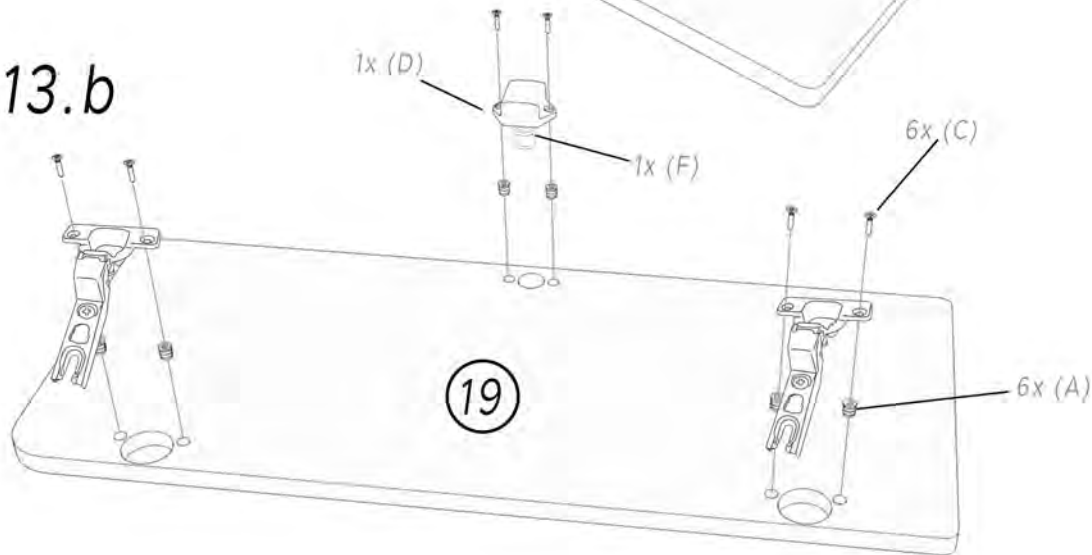
13.



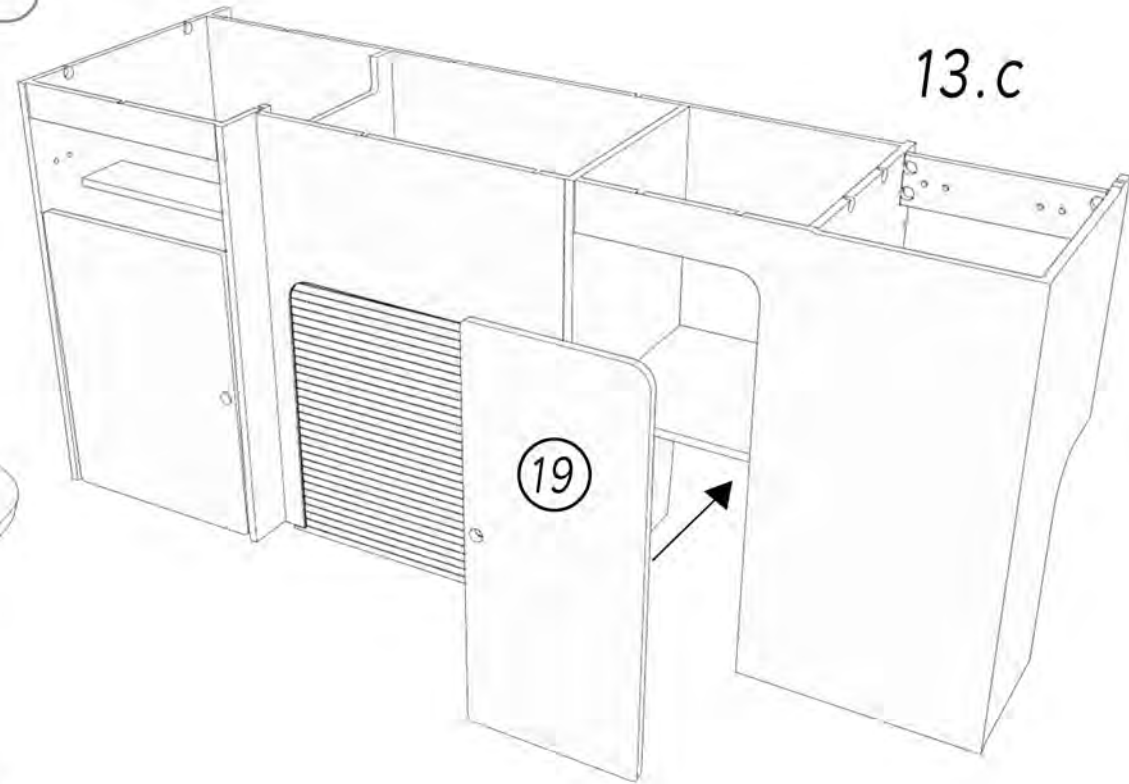
13.a



13.b

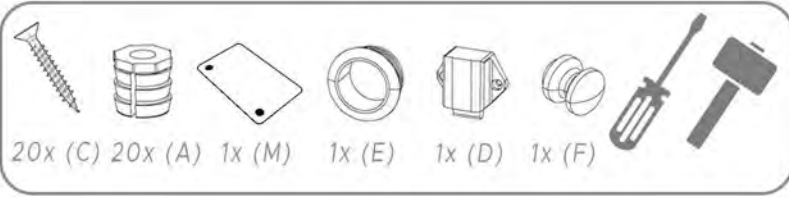


13.c

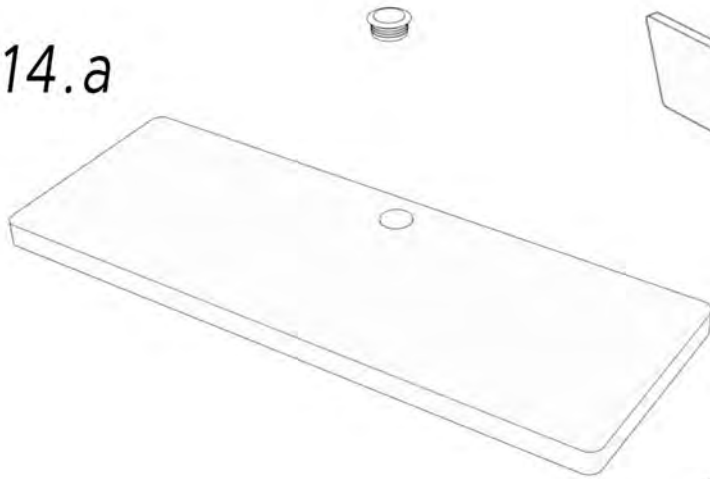




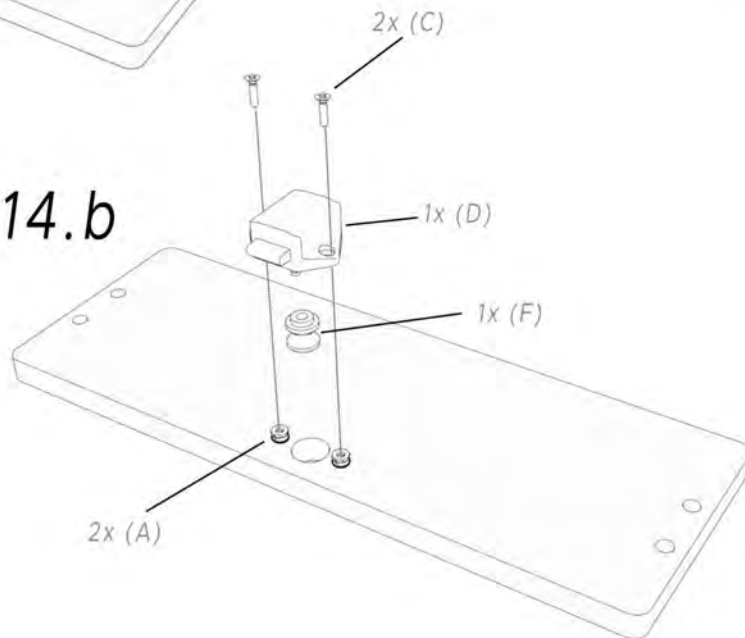
14.



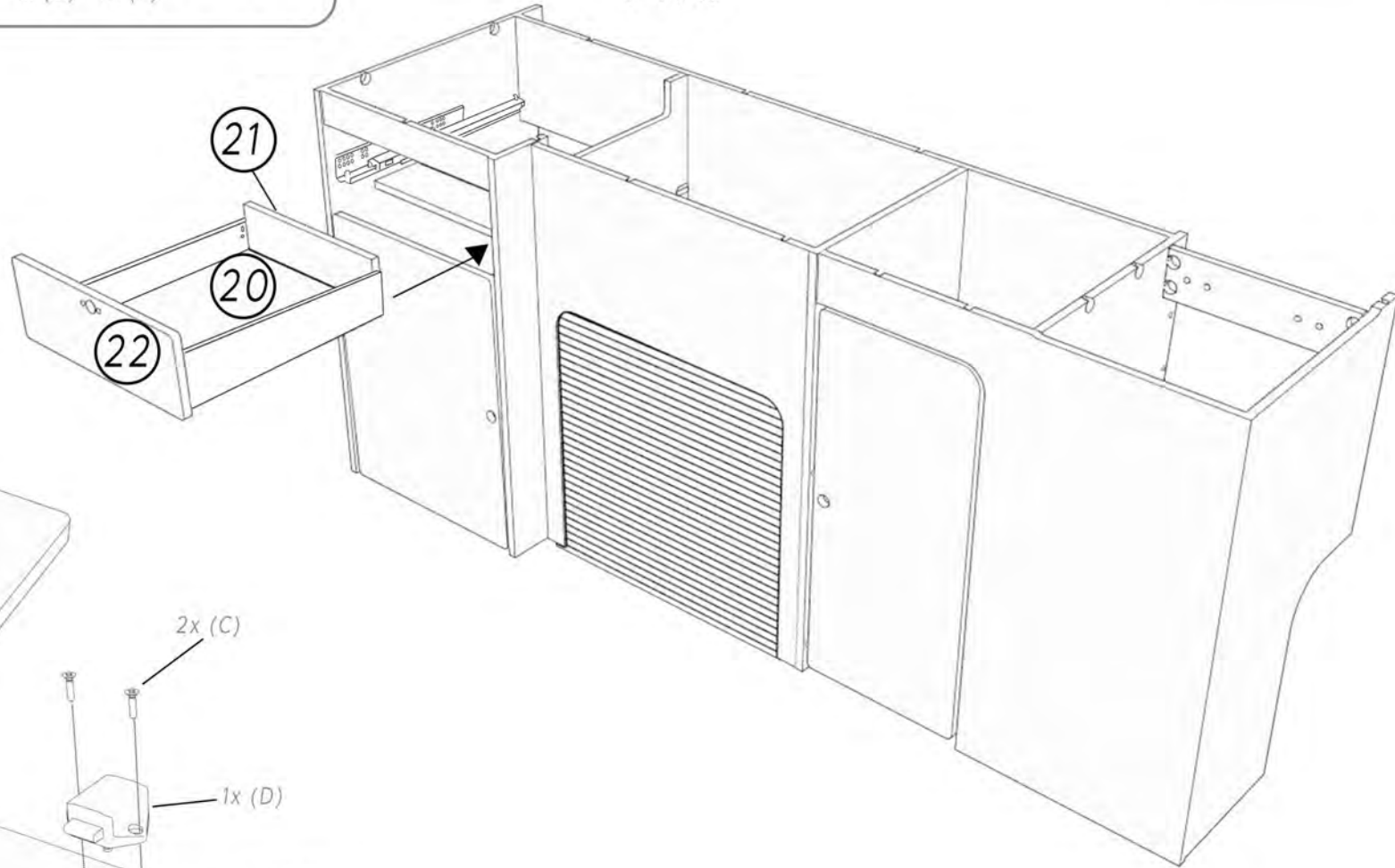
14.a



14.b

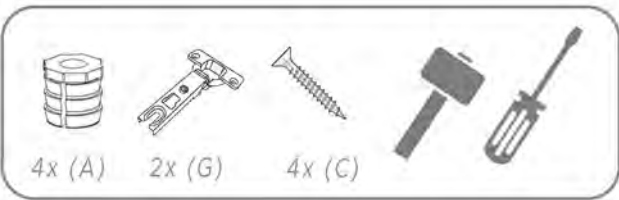


14.c

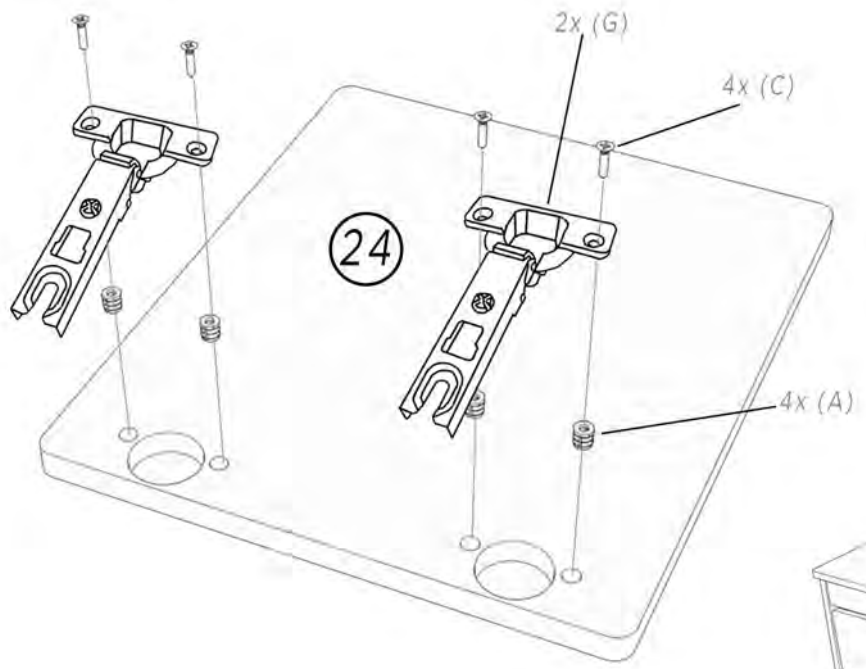


Assemble drawer using manufacturer's instructions provided with drawer set.

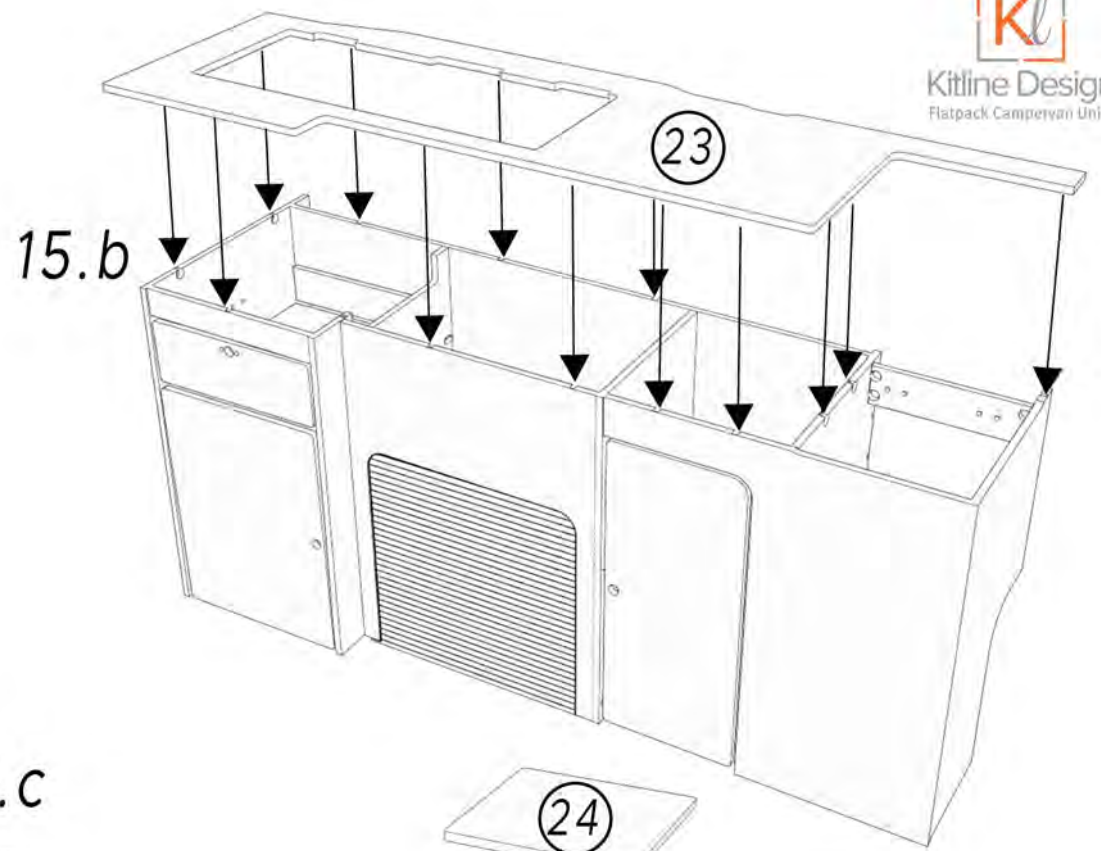
15.



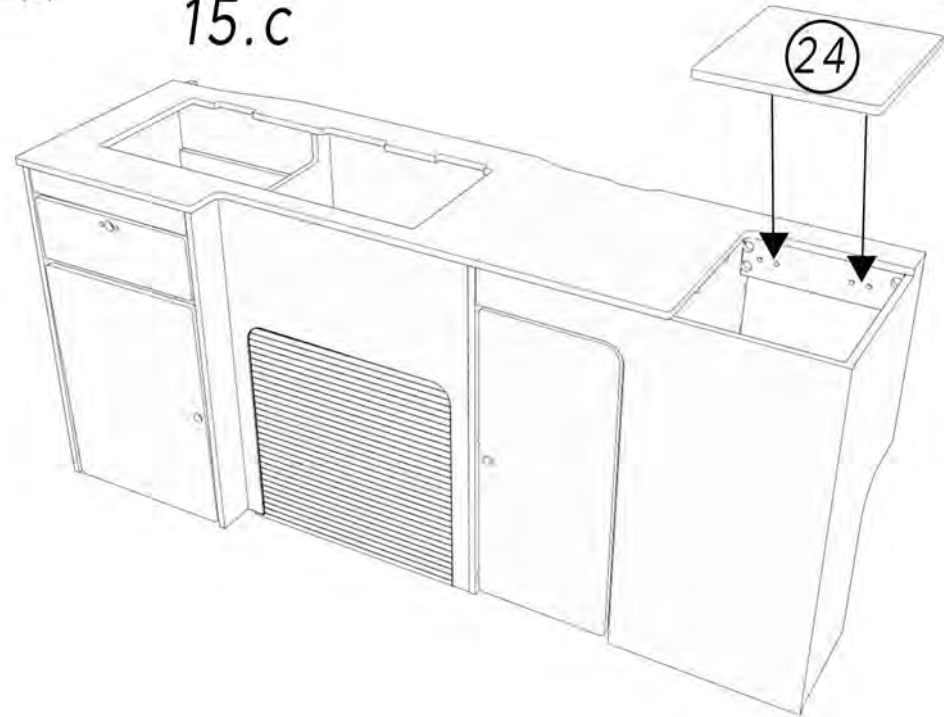
15.a



15.b



15.c



16.

