



LWB-Ford Transit Custom





Kitline Design
Flatpack Campervan Units





- 


40x (A) 8mm Grommet
- 


65x (B) One Fix
- 


40x (C) 15mm screws
- 


4x (O) 30mm screws
- 


3x (D) Push button Case
- 


3x (E) Push Button Rosette
- 


3x (F) Push button
- 


6x (I) Mounting Plate
- 


2x (P) Cranked Hinge
- 


2x (N) (450) Tambour Track
- 

1x (L) Tambour door Curved
- 

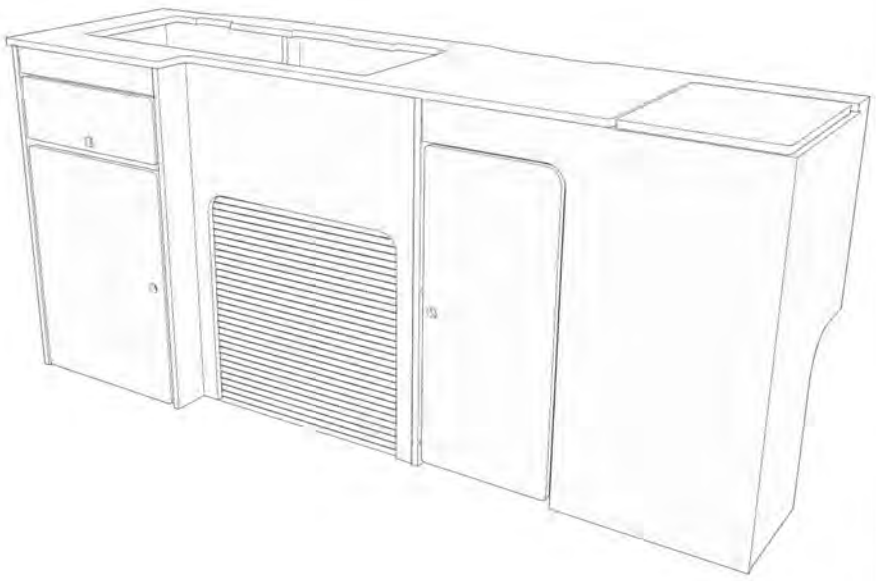
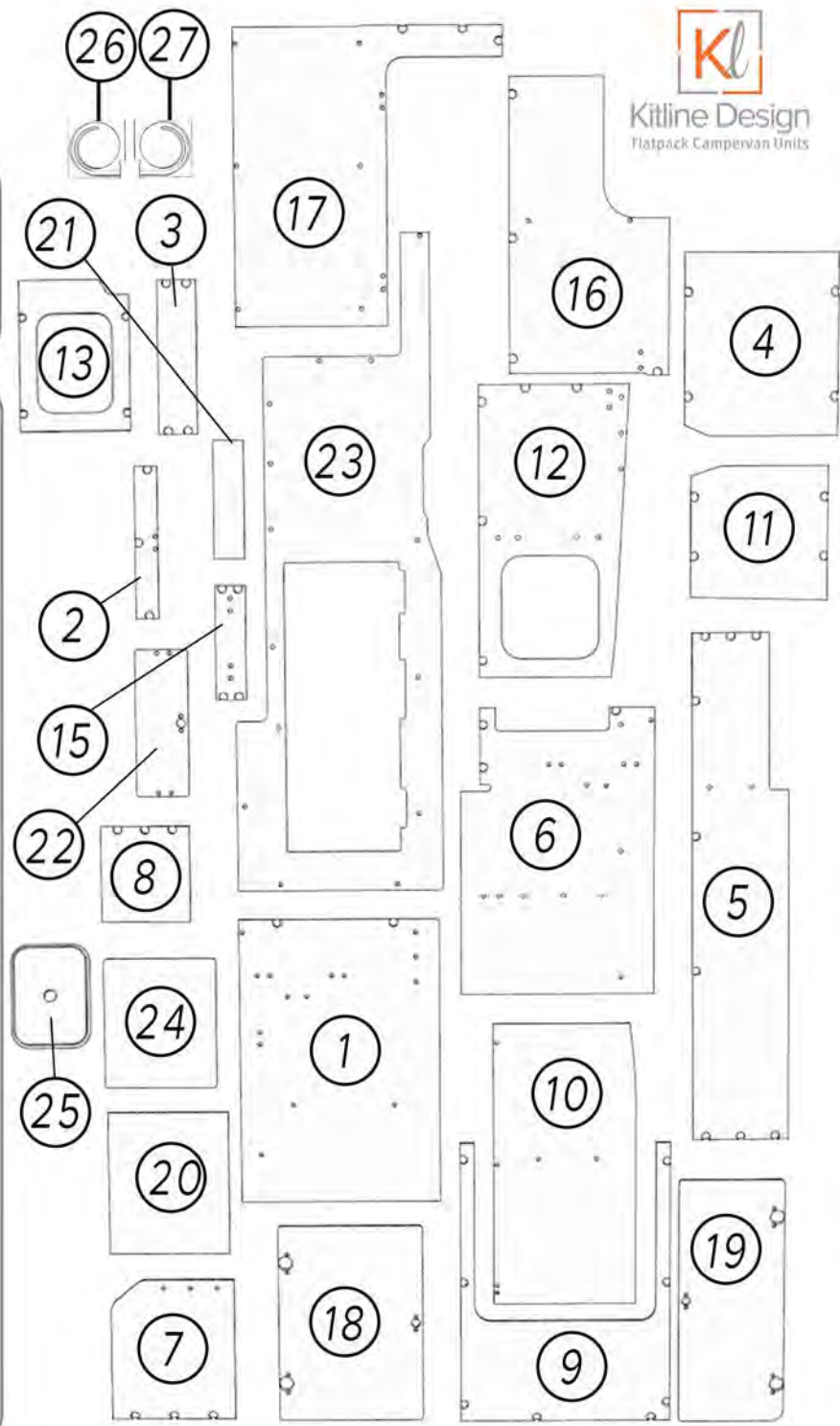
2x (Q) ScrewBlock
- 

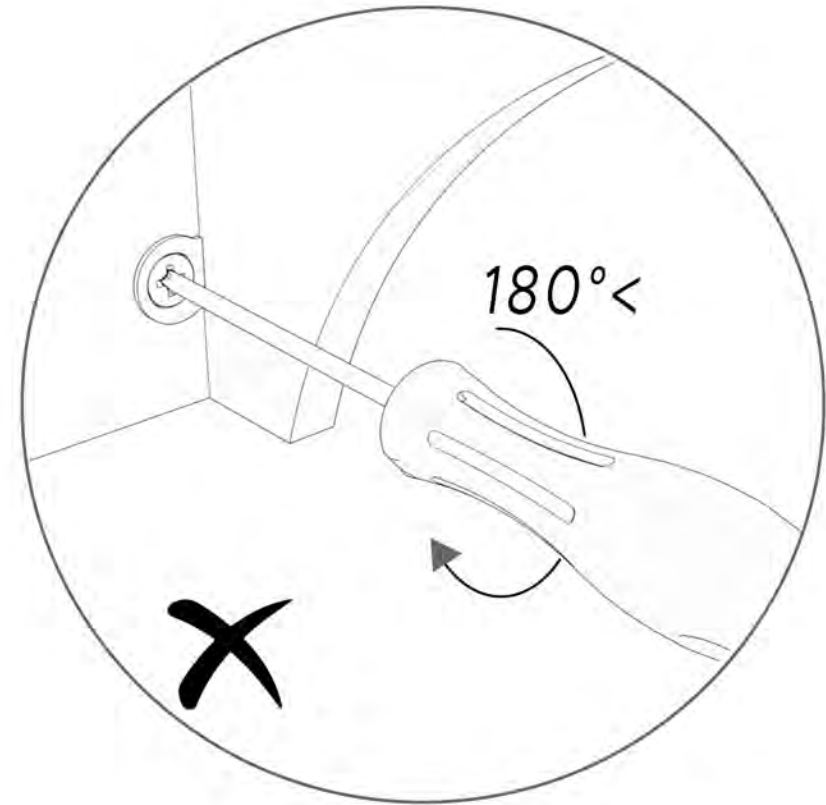
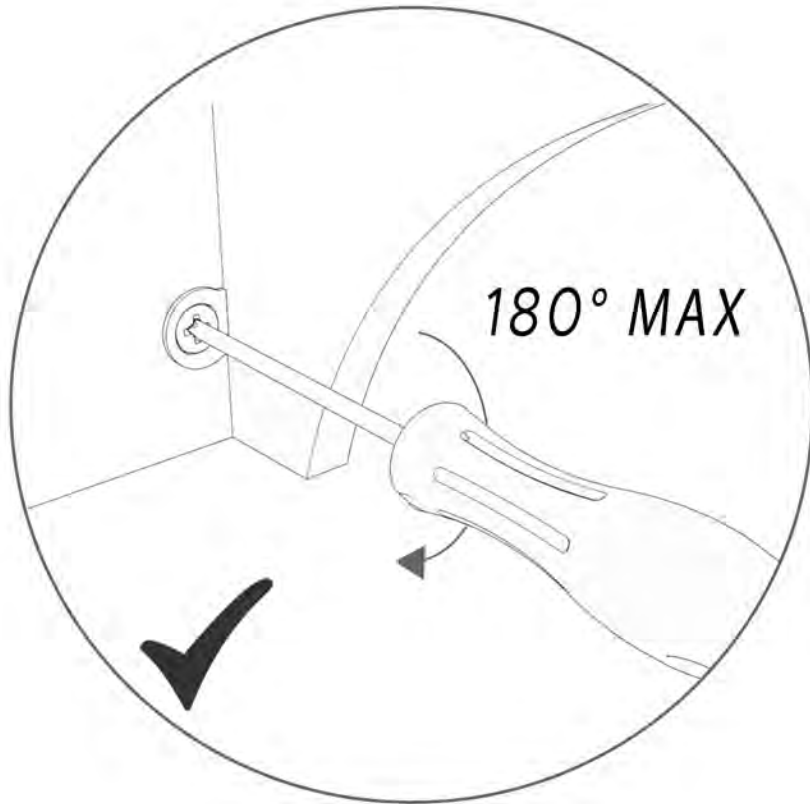
2x (R) ScrewBlock Cap
- 

1x (M) striker plate flat
- 

2x (G) Flat Hinge
- 

1x (H) striker plate angled



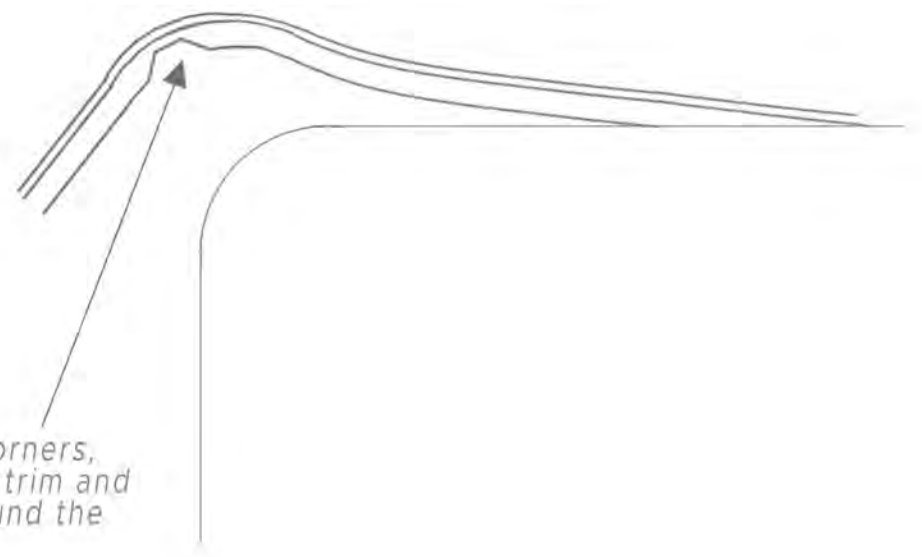
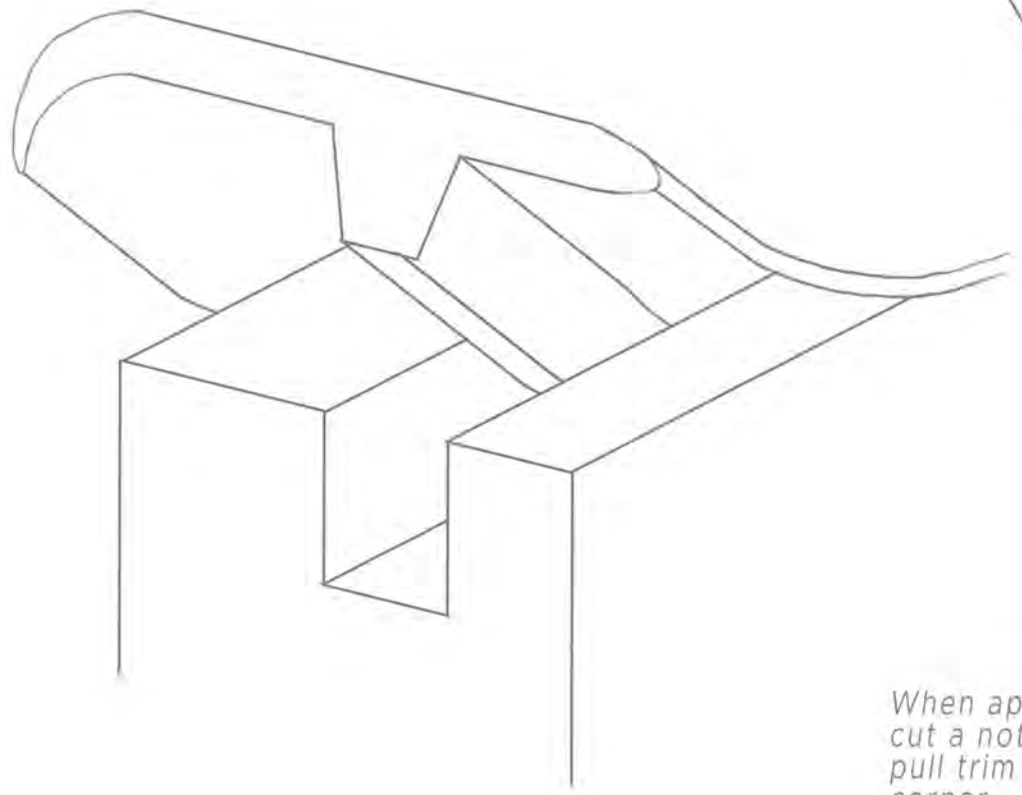
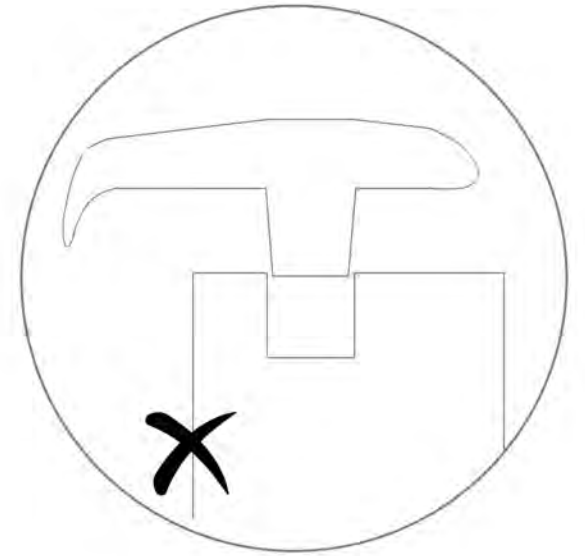
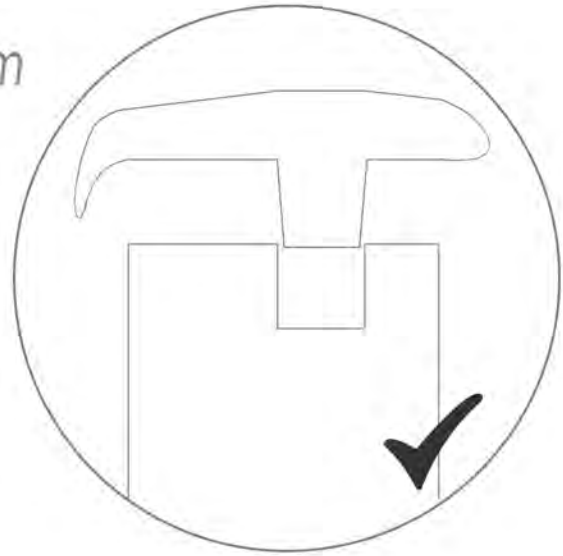


Do not over tighten Onefix
Connectors!

1.

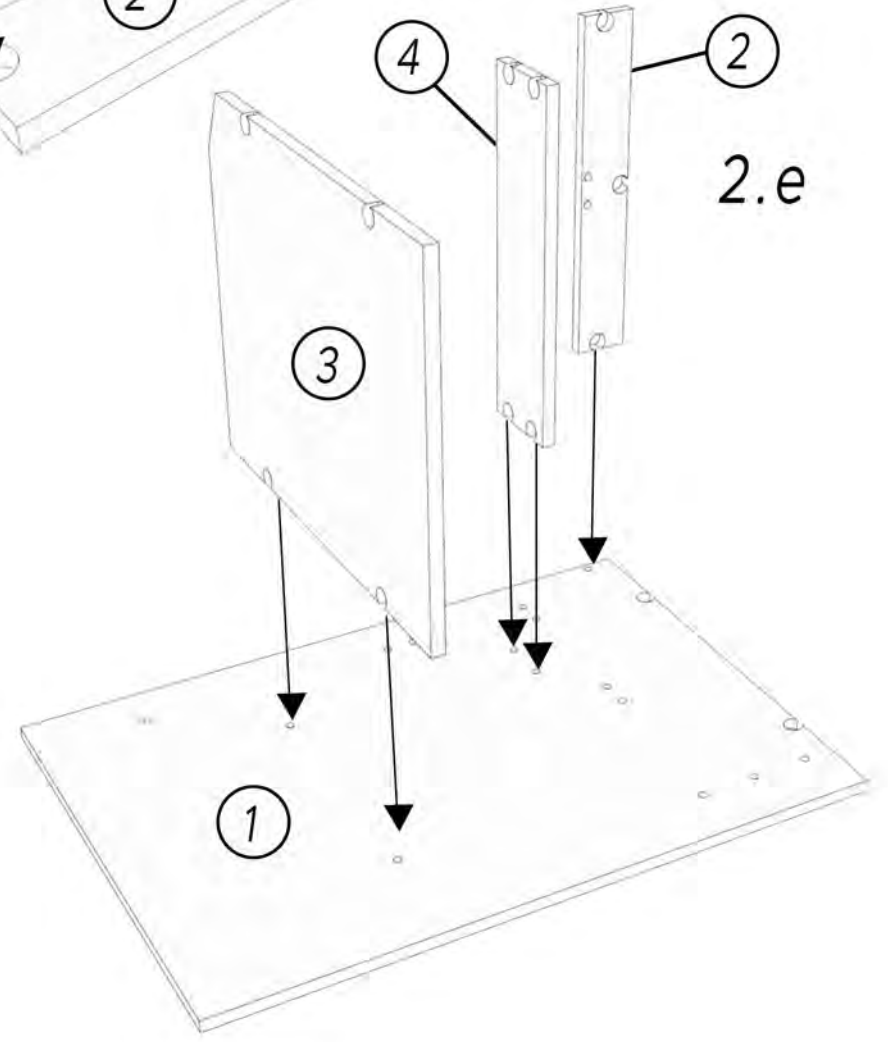
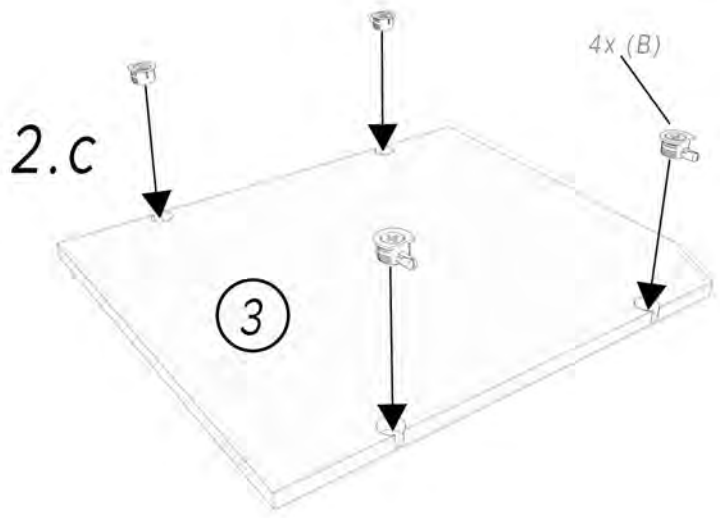
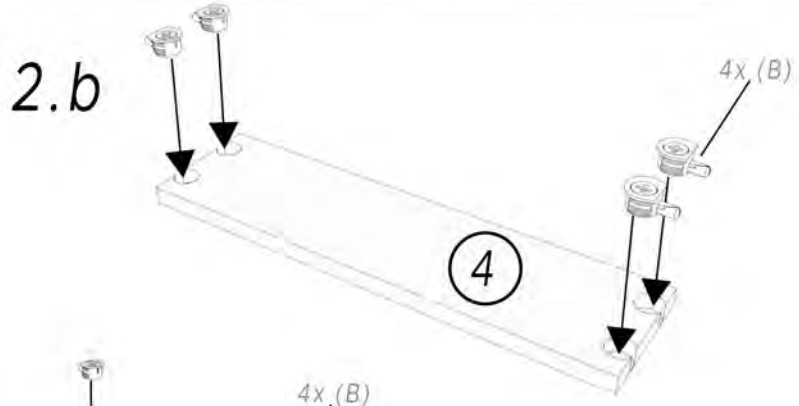
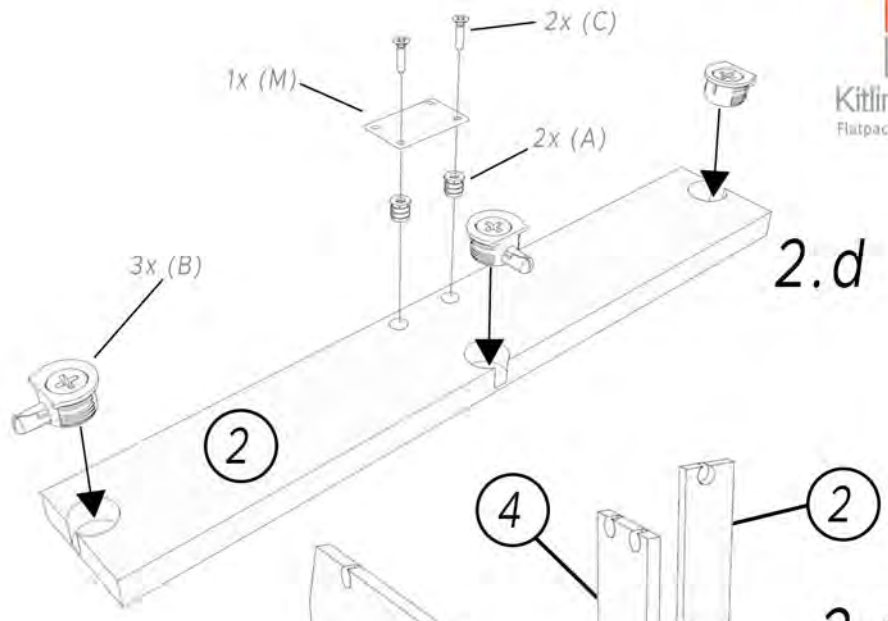
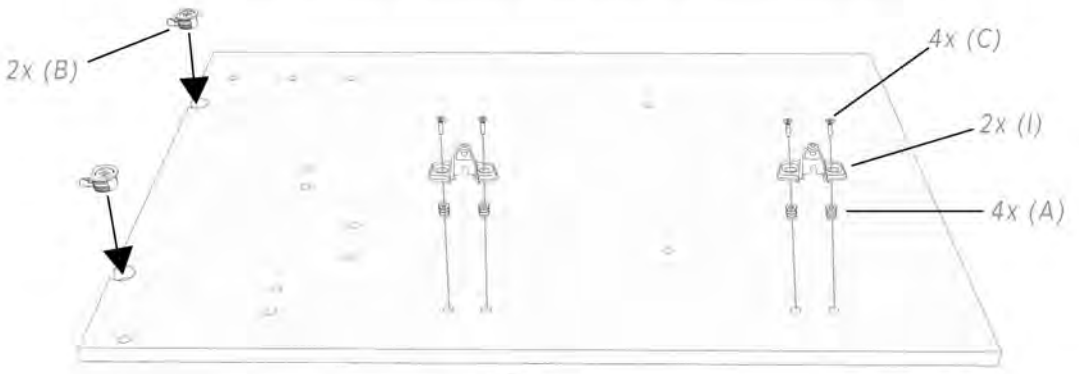
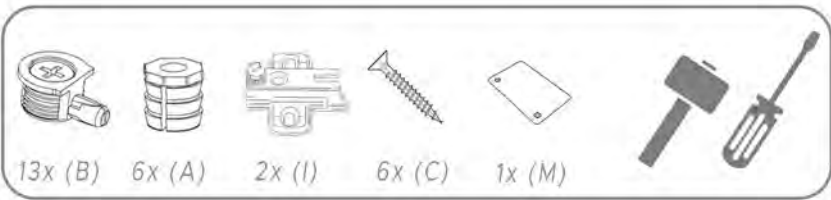


All pieces should have T-Trim applied before assembly!



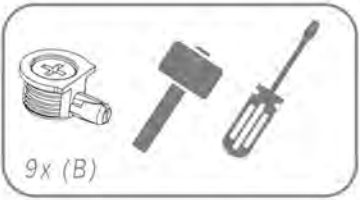
When applying to corners, cut a notch into the trim and pull trim tightly around the corner.

2.

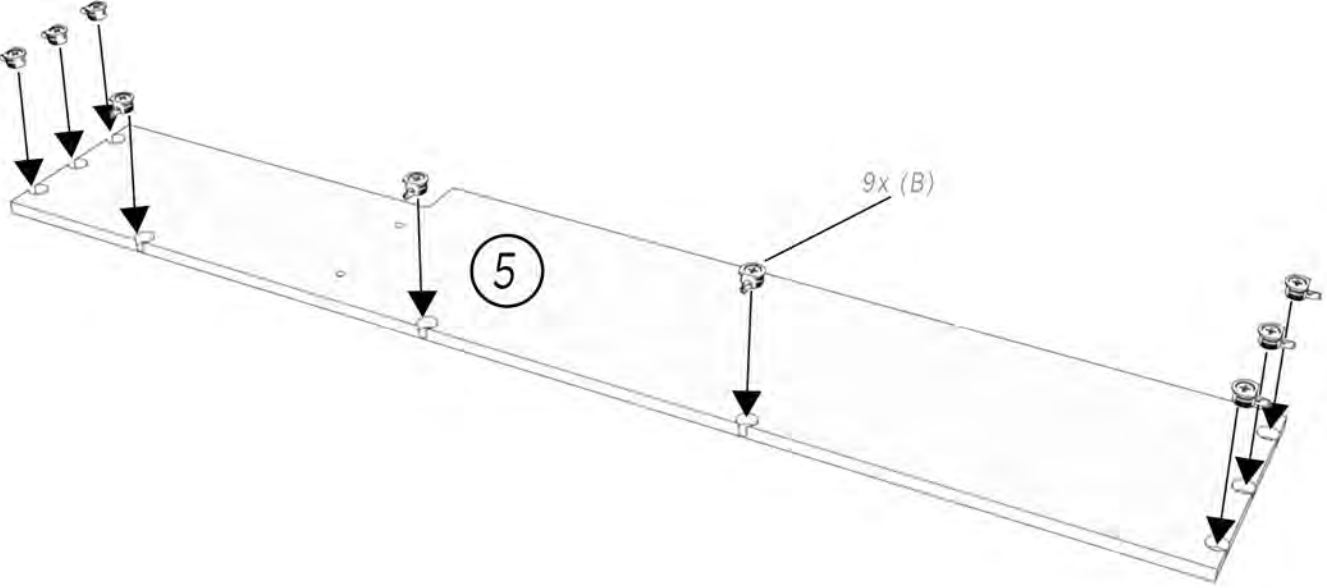




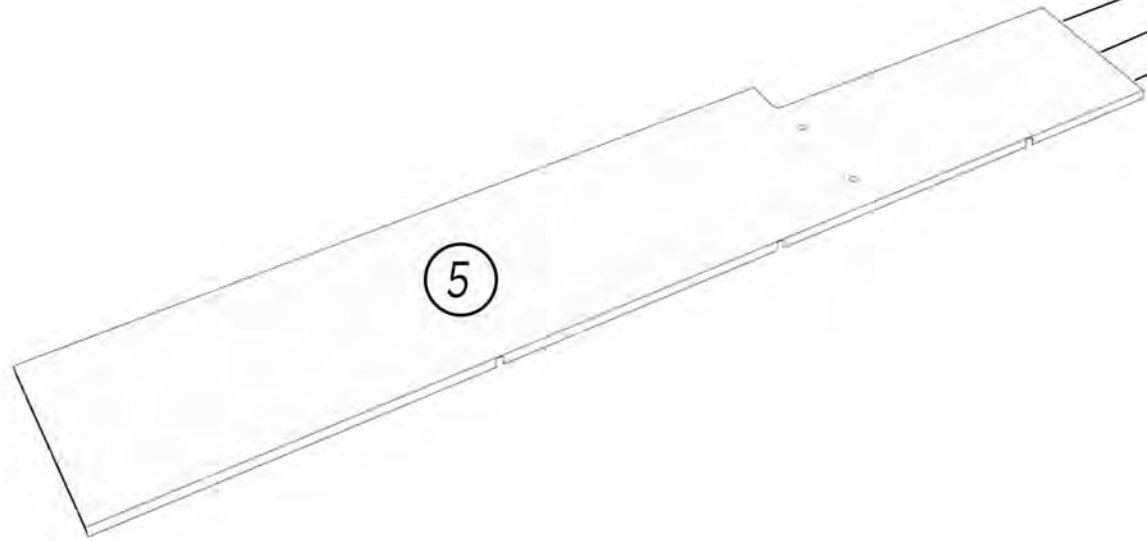
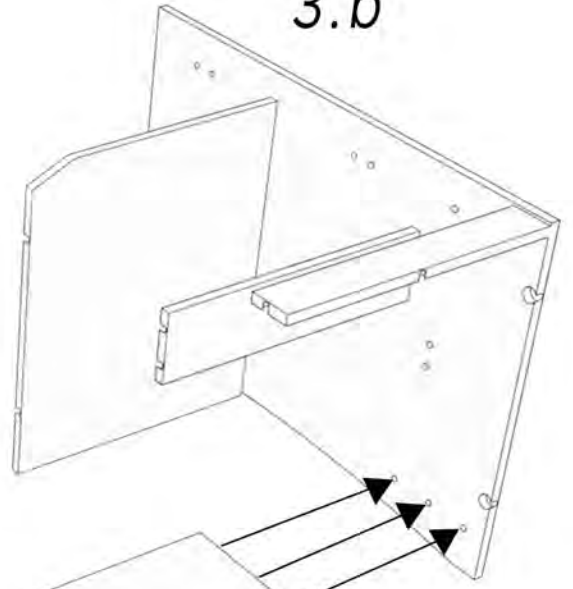
3.



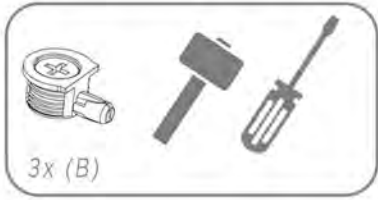
3.a



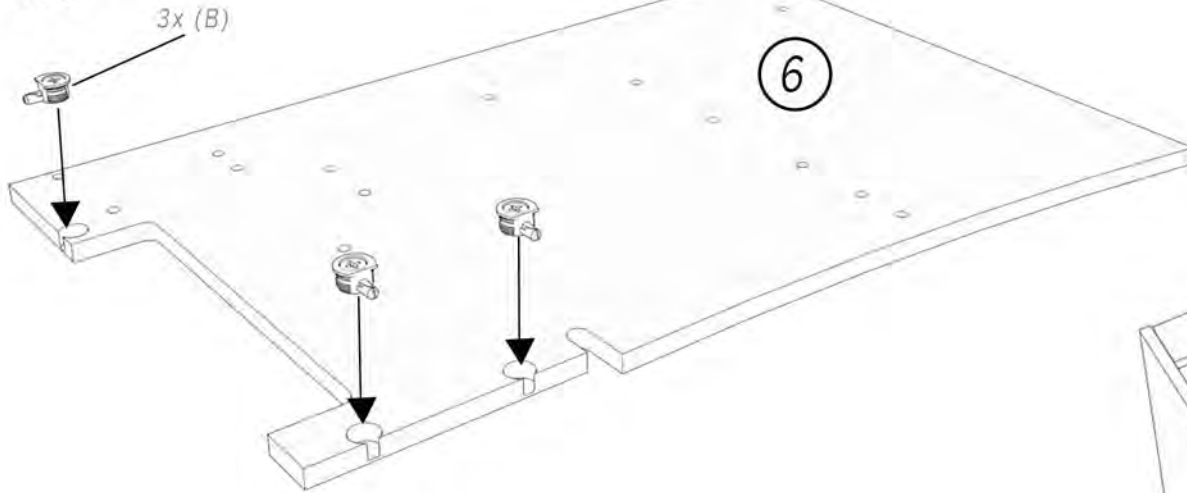
3.b



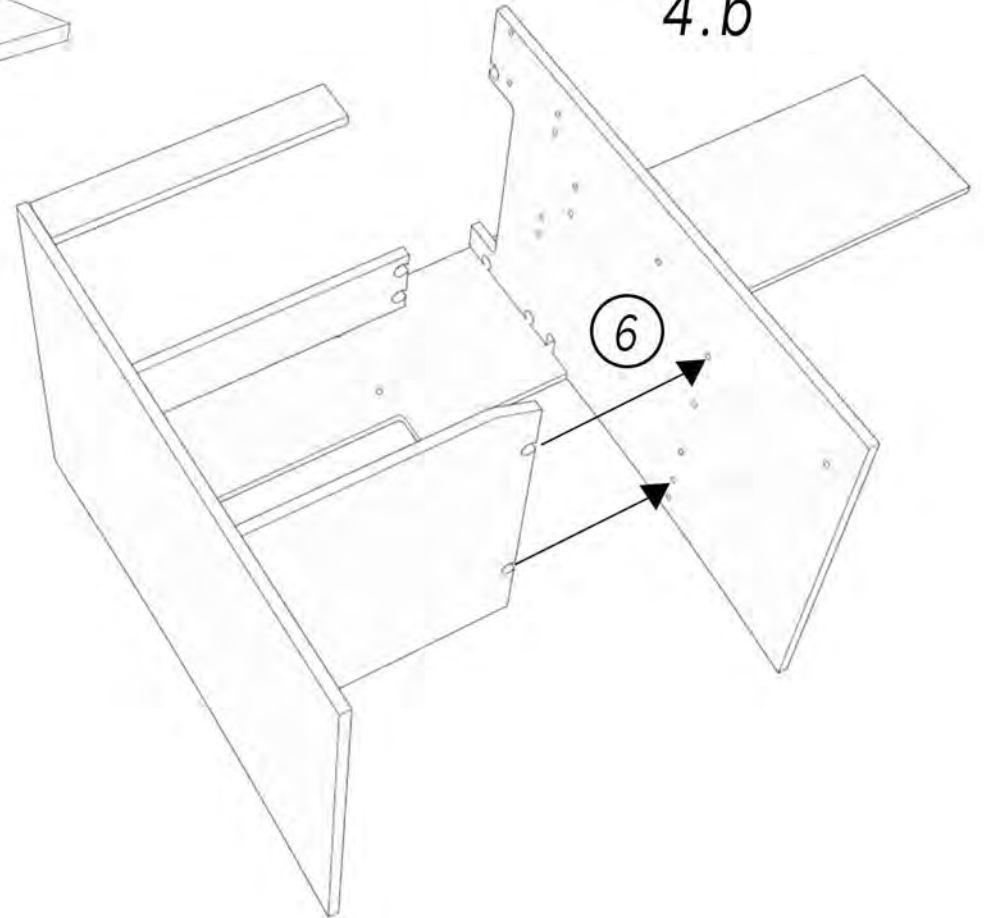
4.



4.a

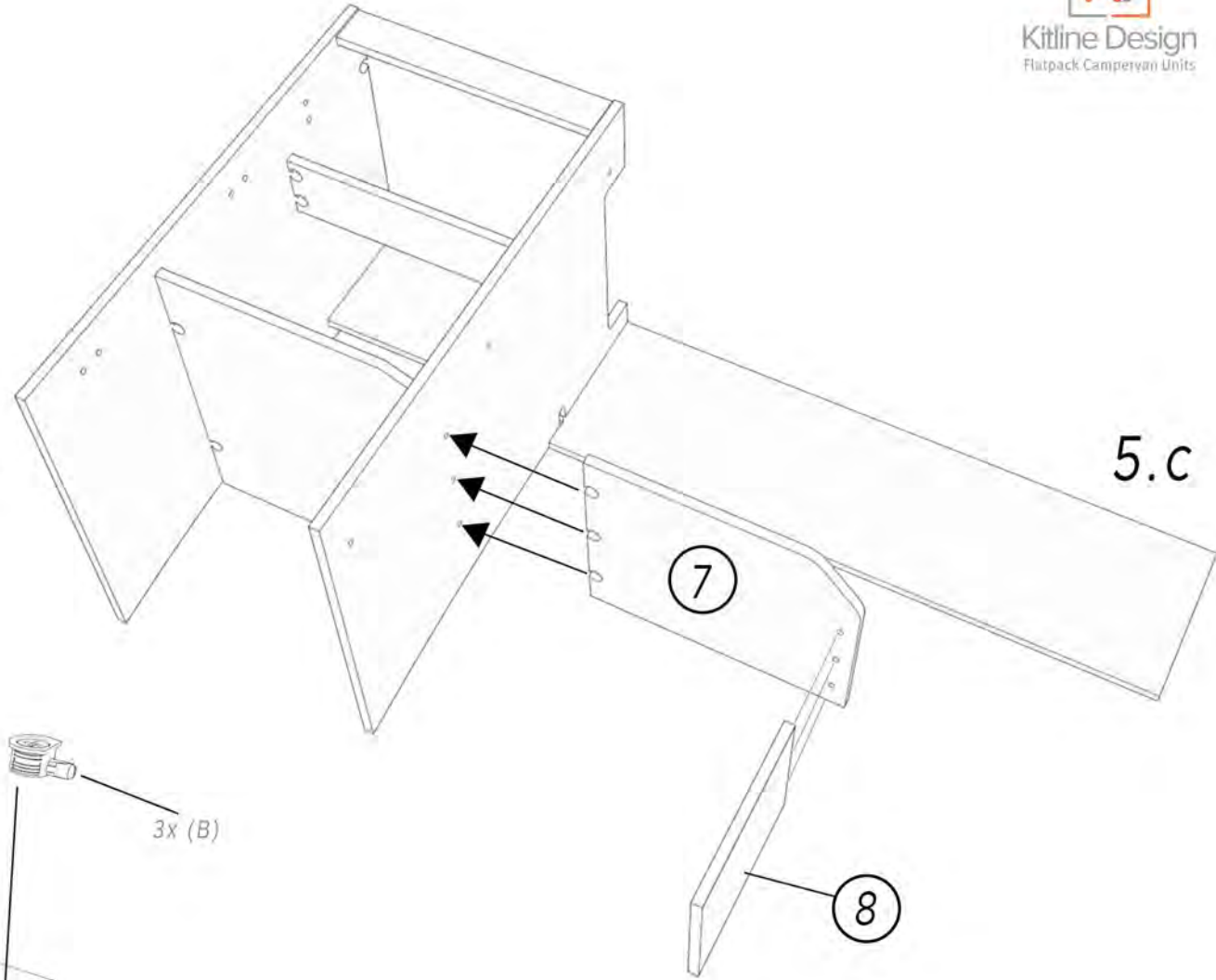
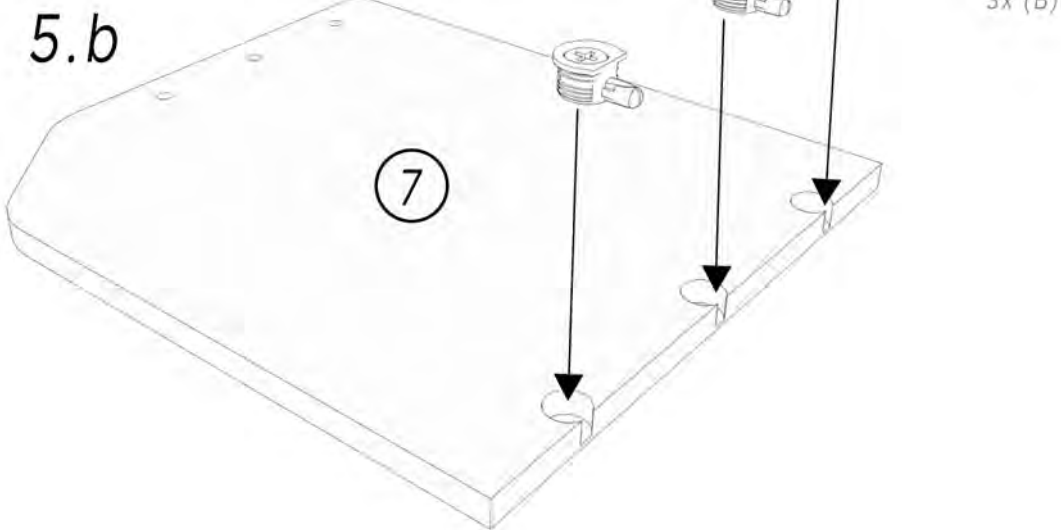
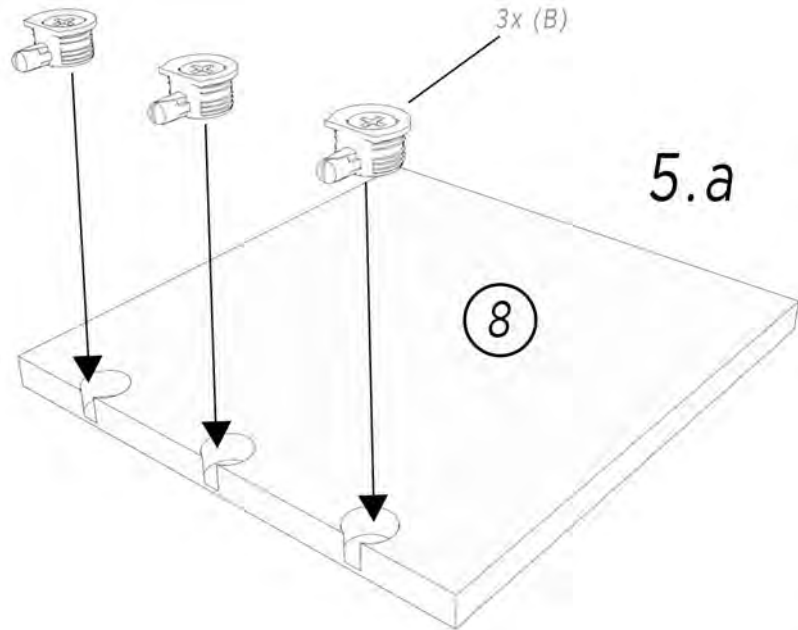
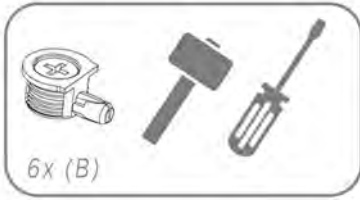


4.b

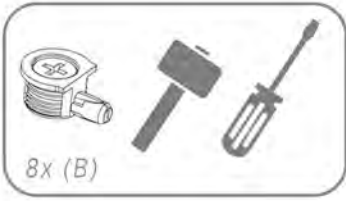




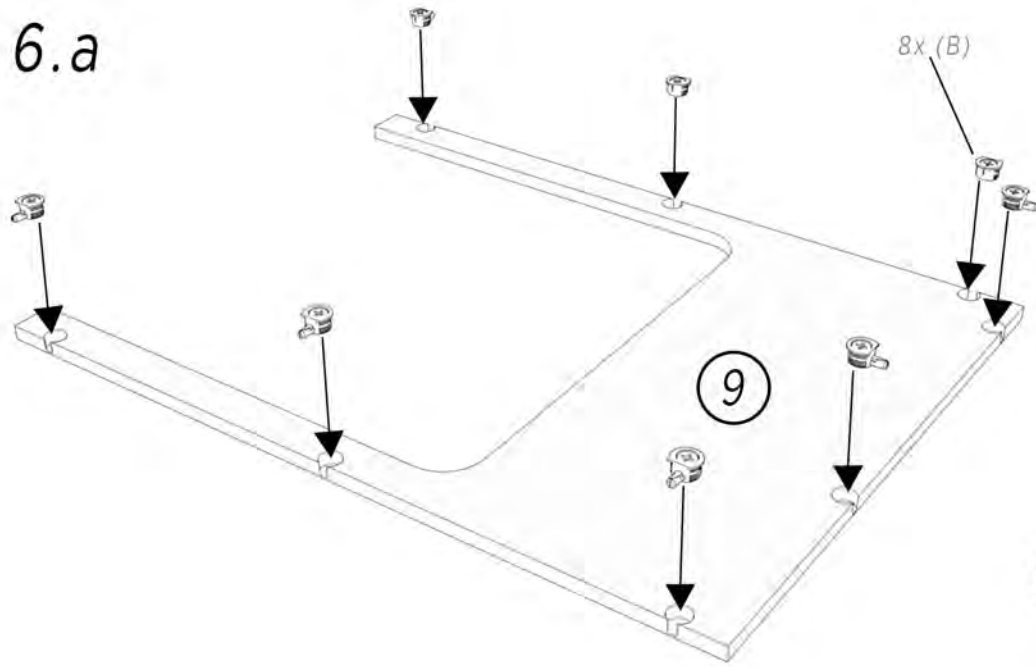
5.



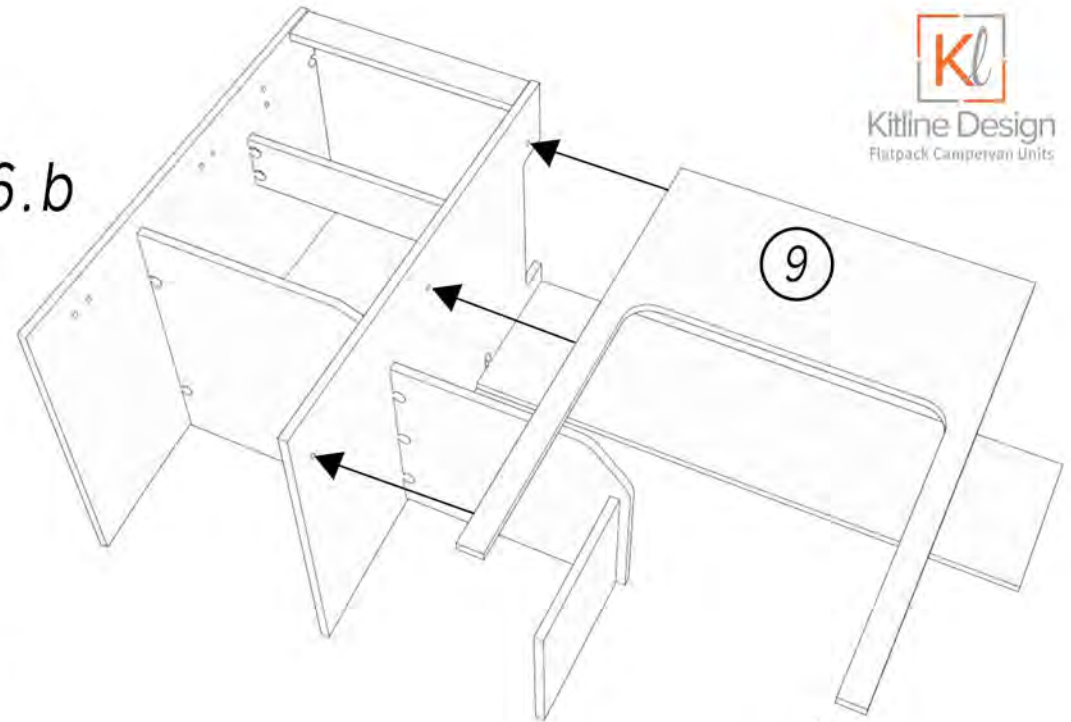
6.



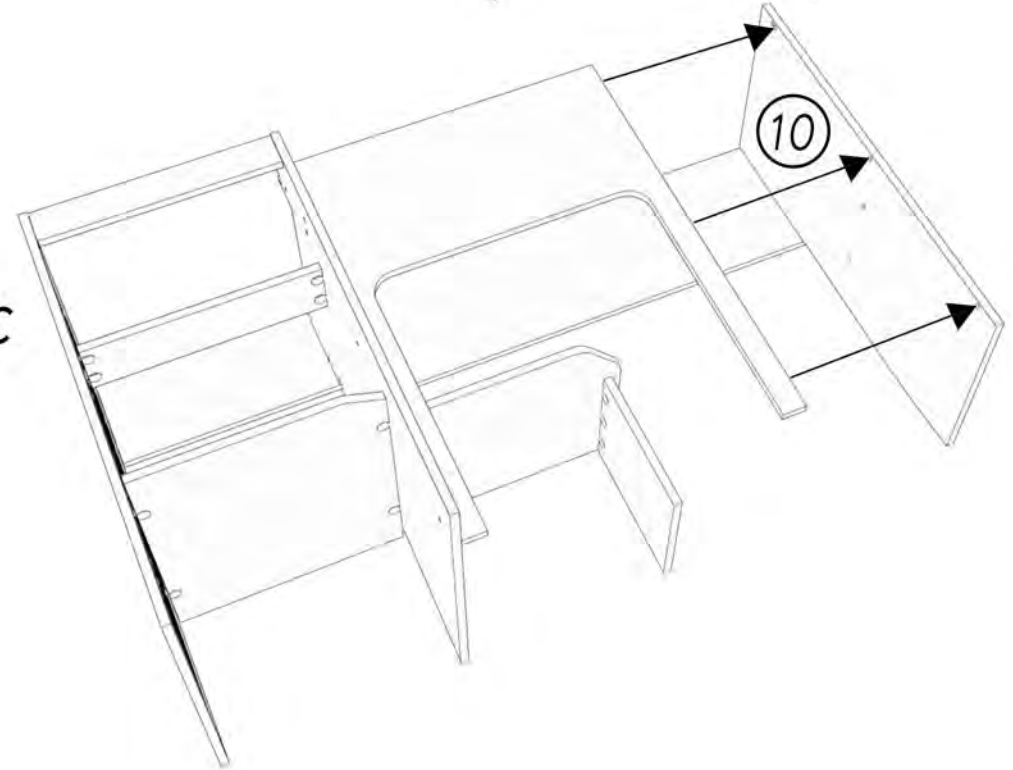
6.a



6.b

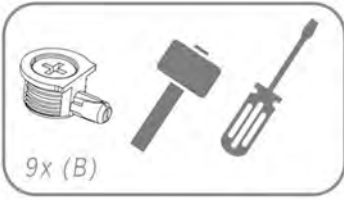


6.c

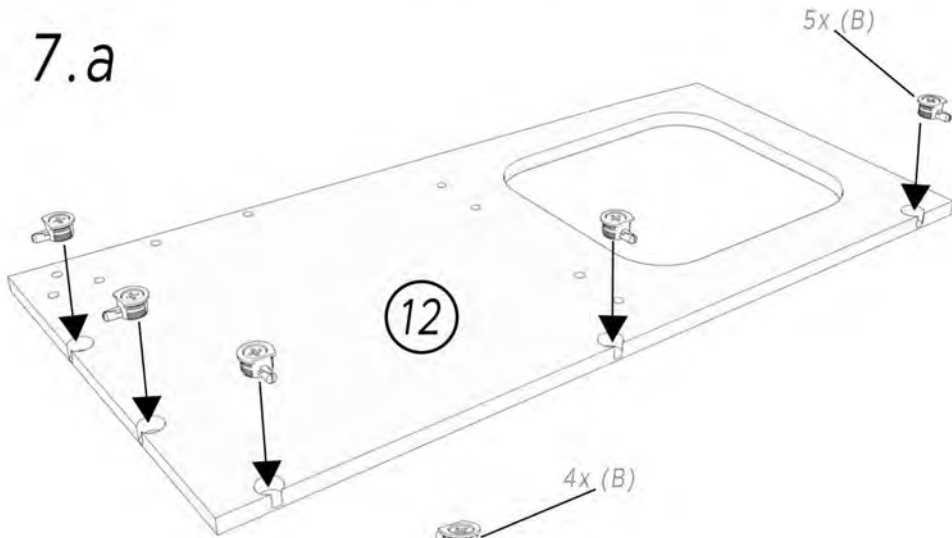


Kitline Design
Flutpack Campervan Units

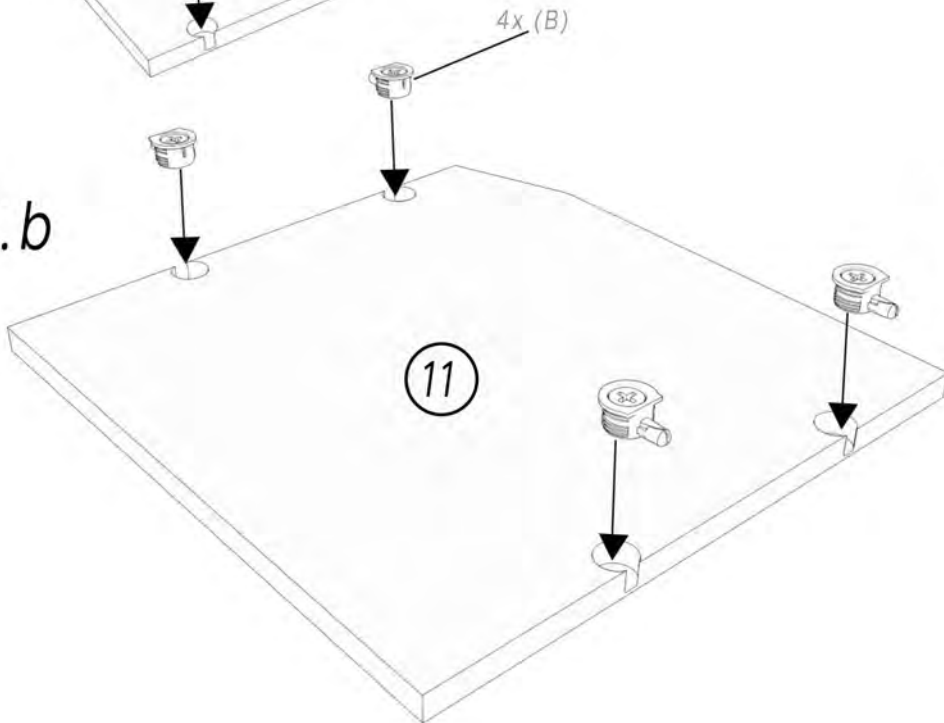
7.



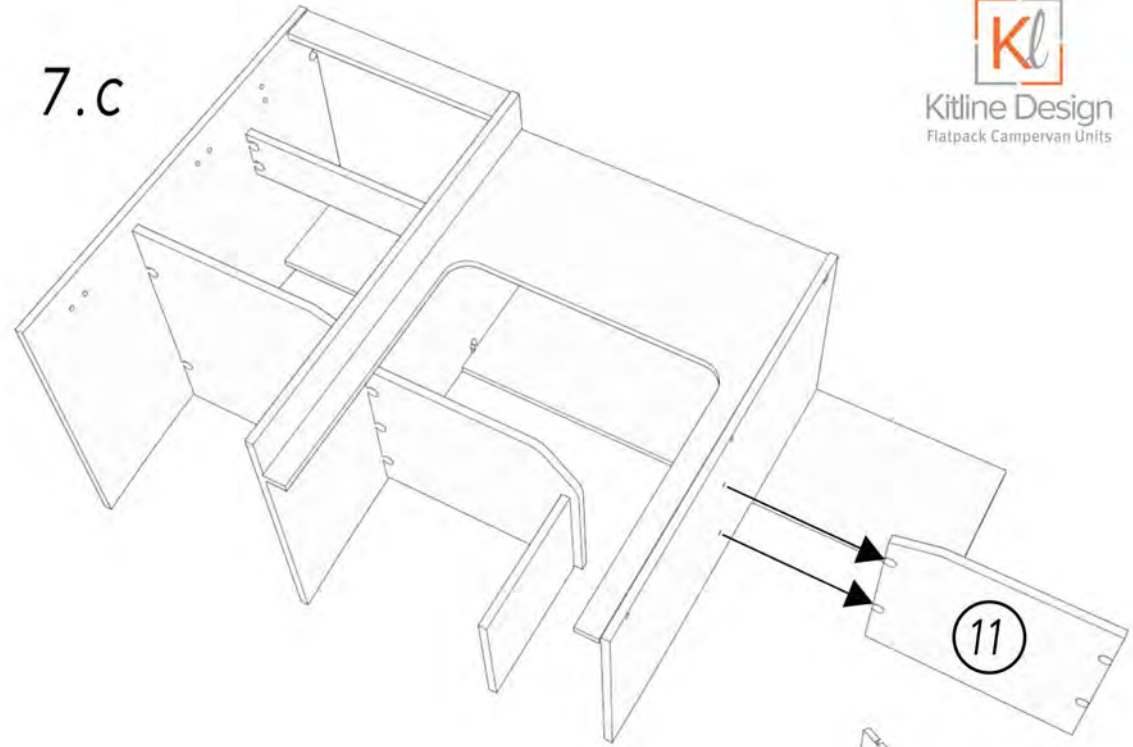
7.a



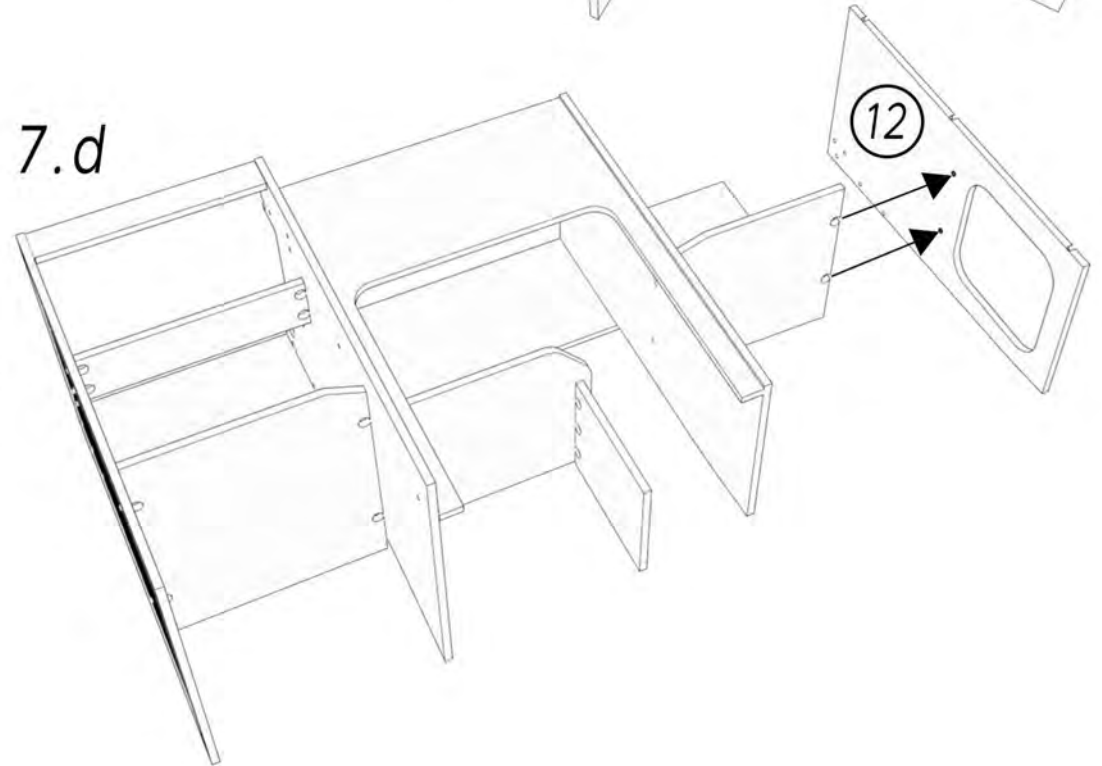
7.b



7.c

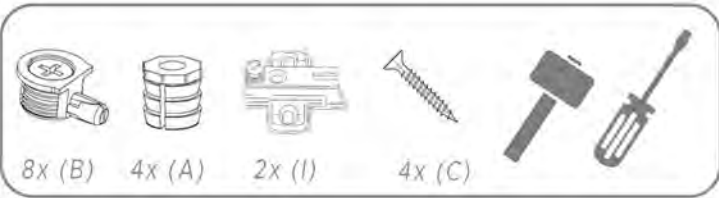


7.d

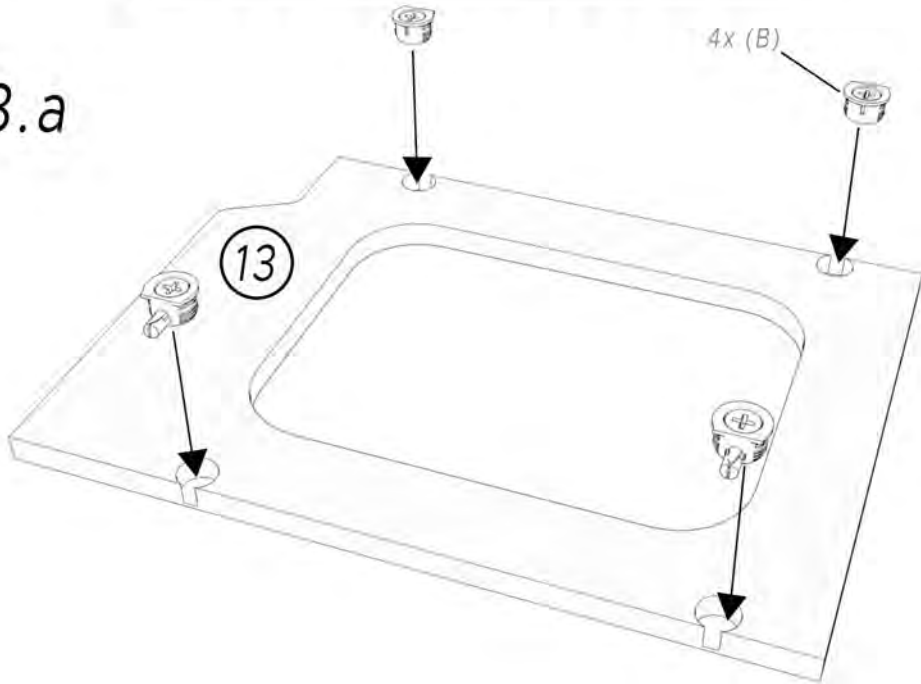




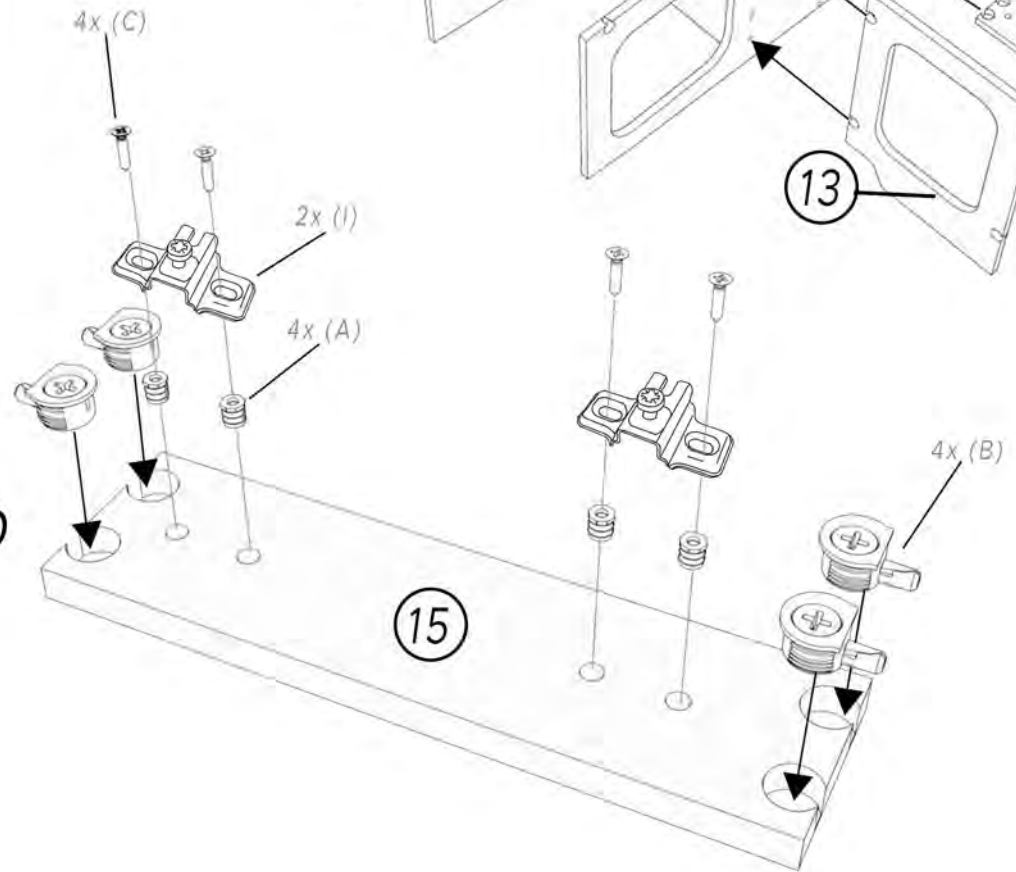
8.



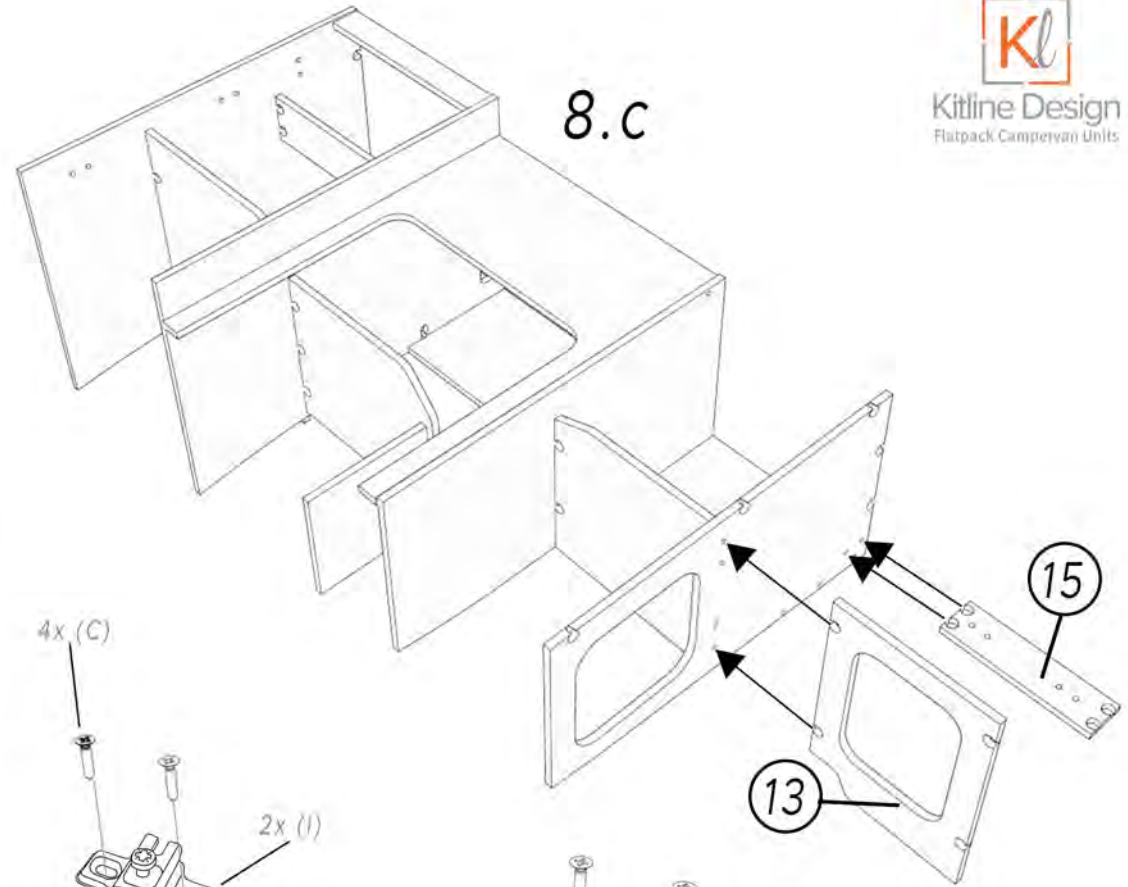
8.a



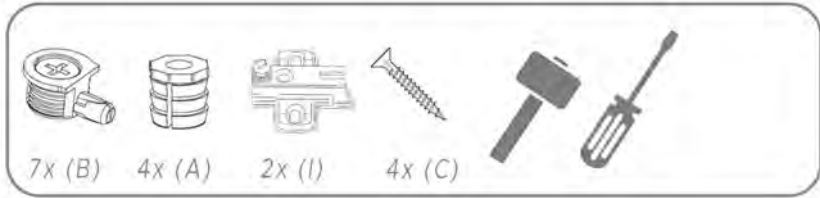
8.b



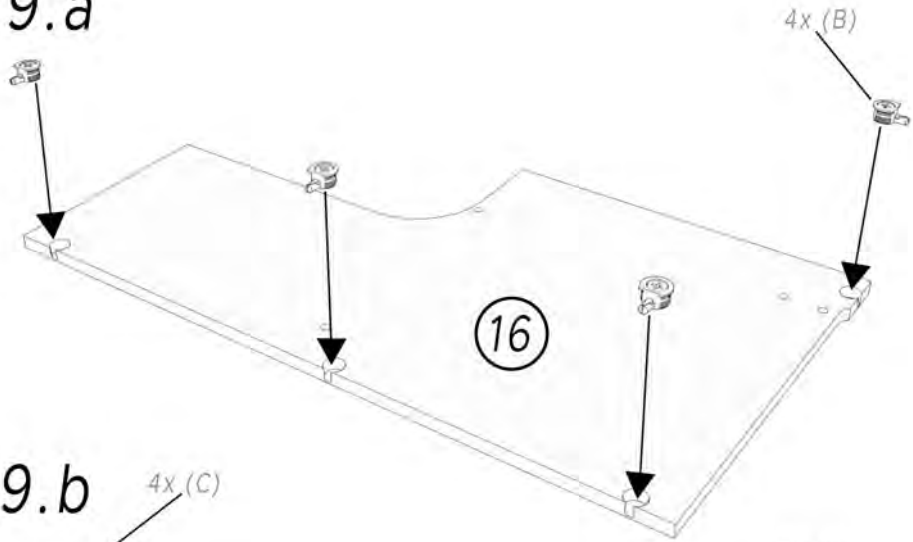
8.c



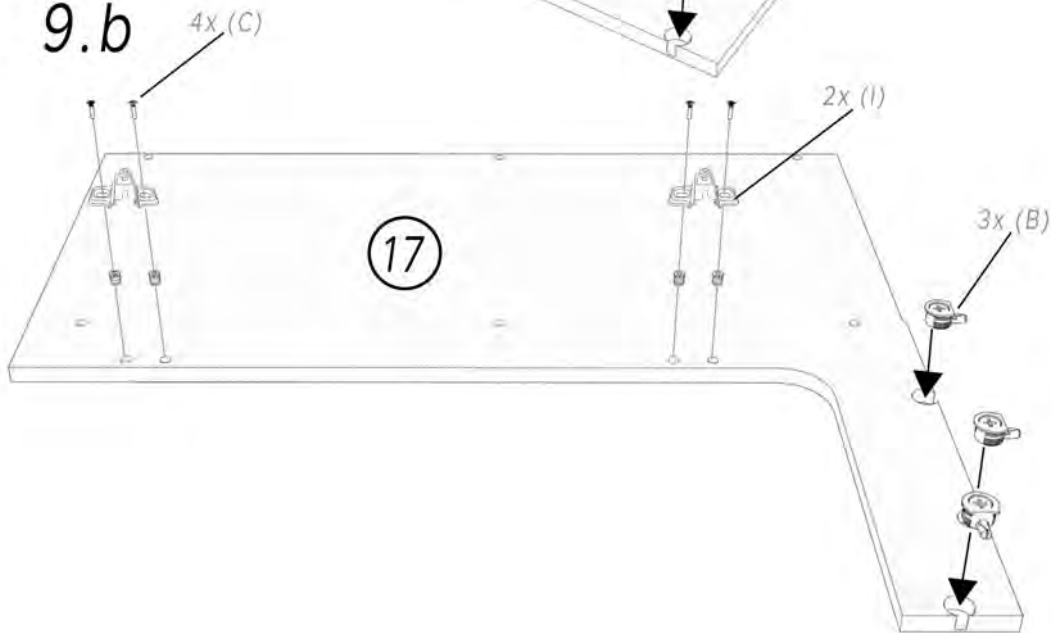
9.



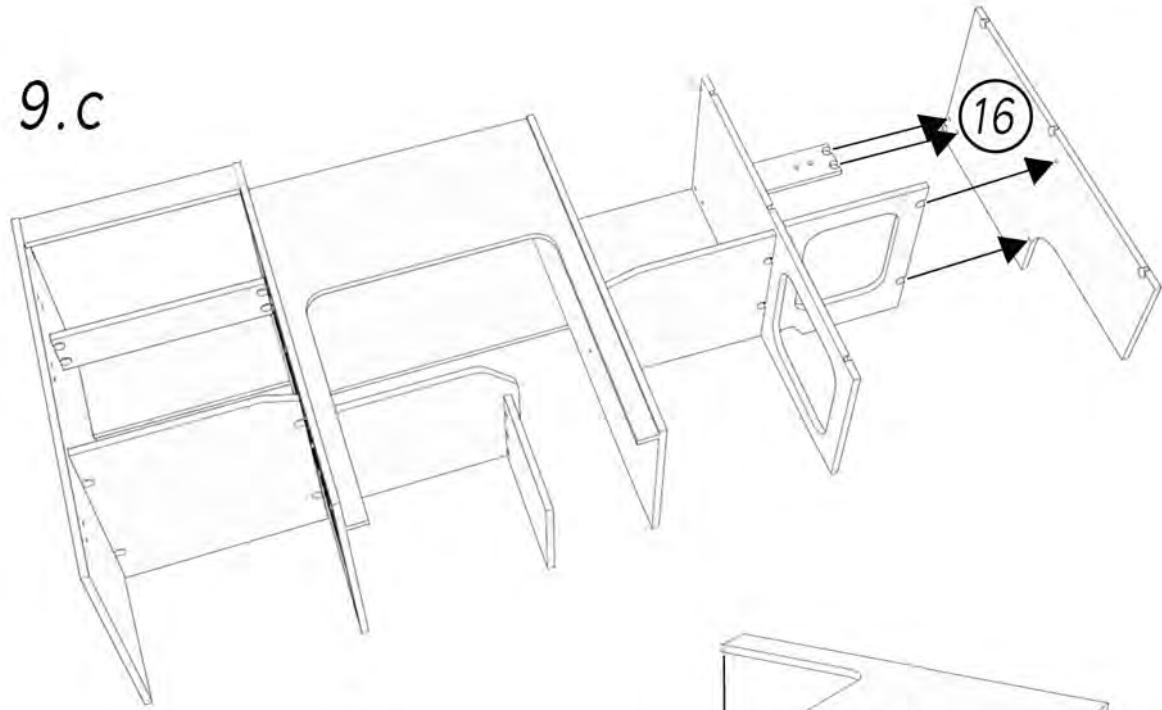
9.a



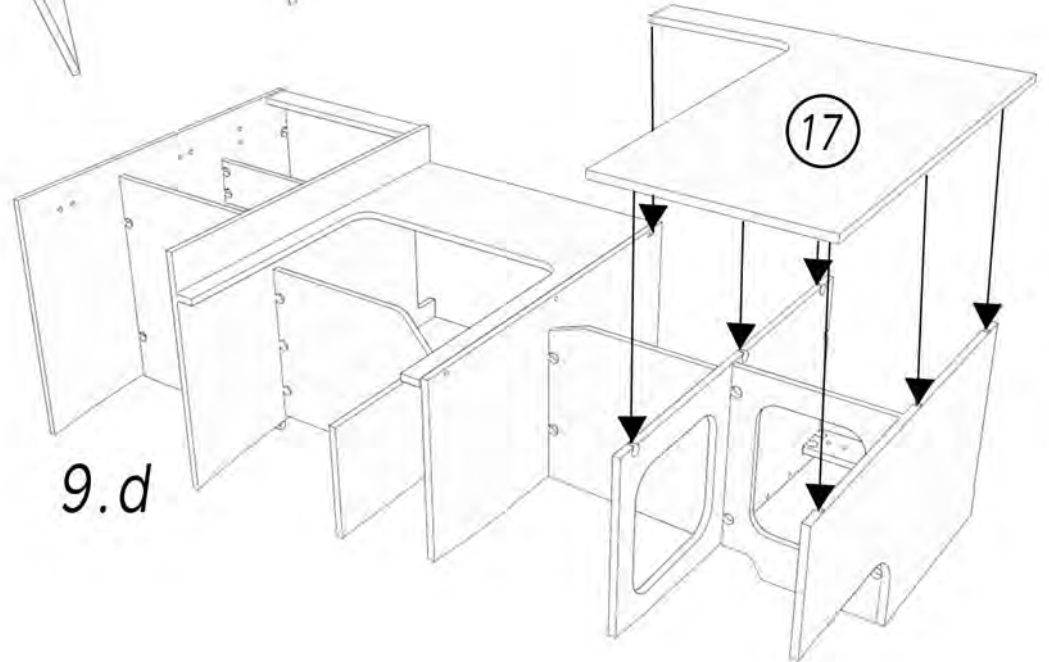
9.b



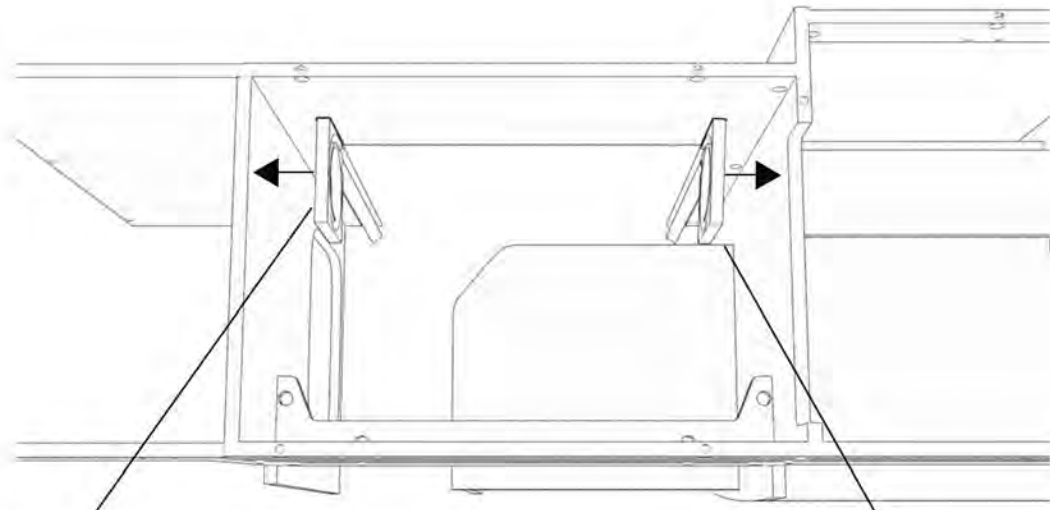
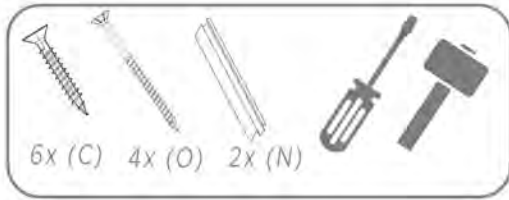
9.c



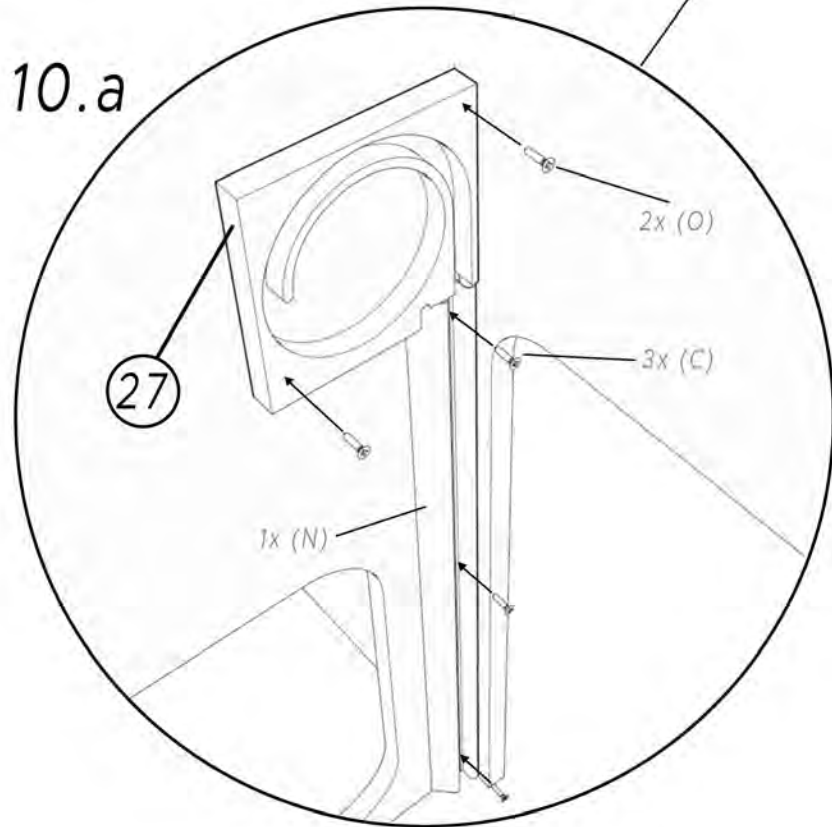
9.d



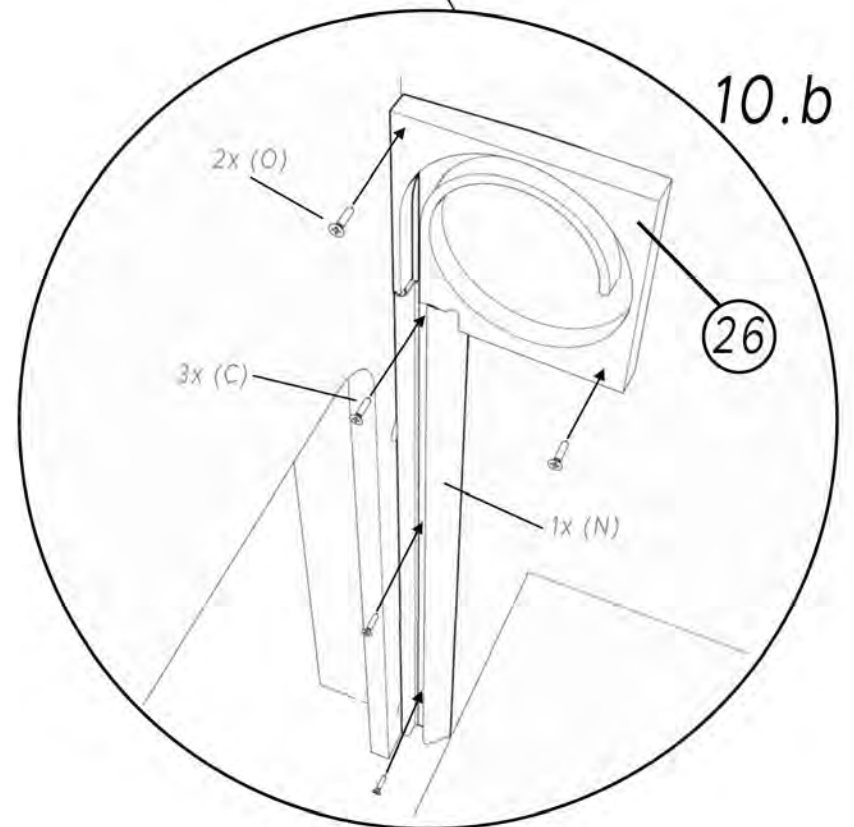
10.



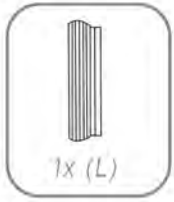
10.a



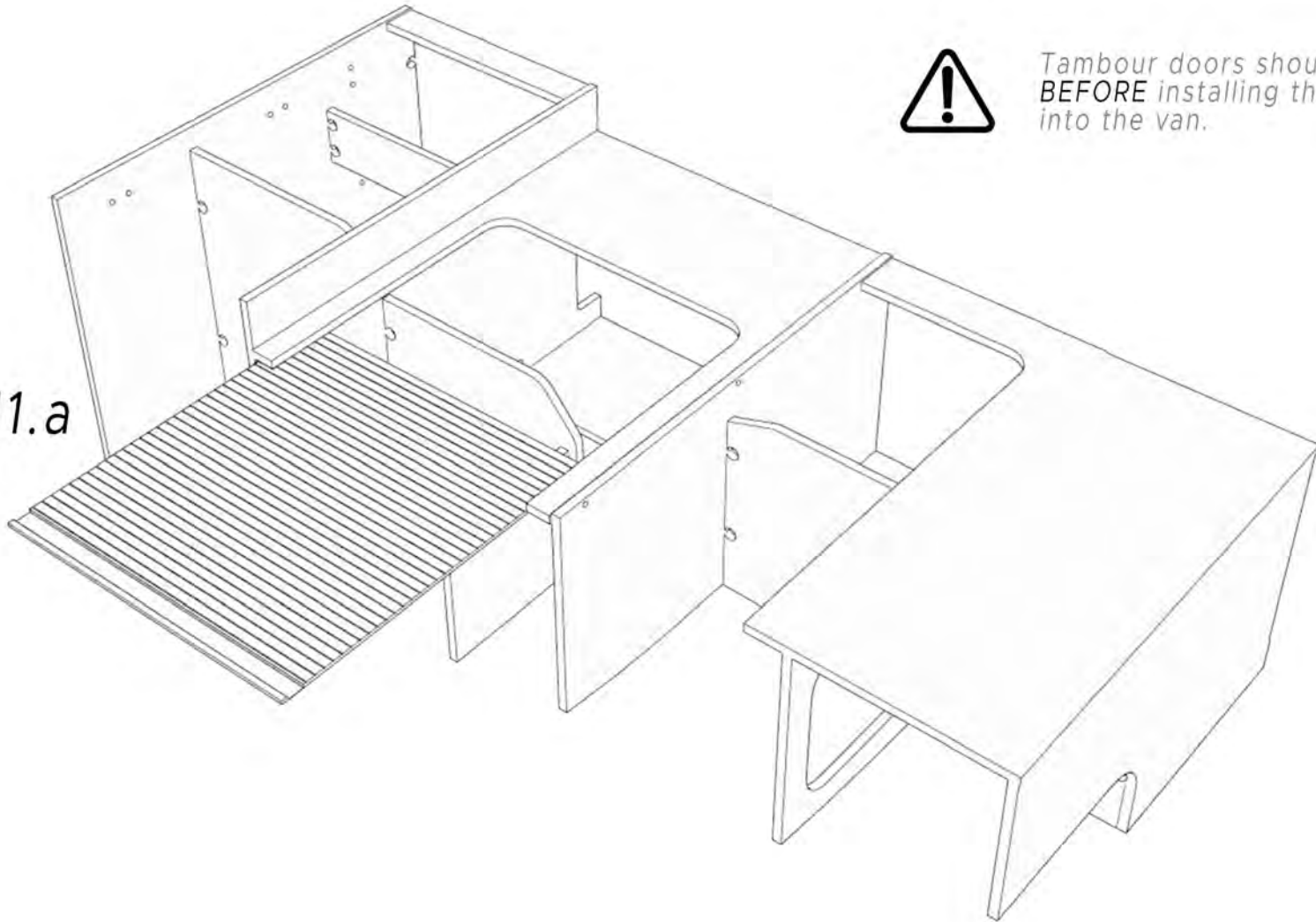
10.b



11.

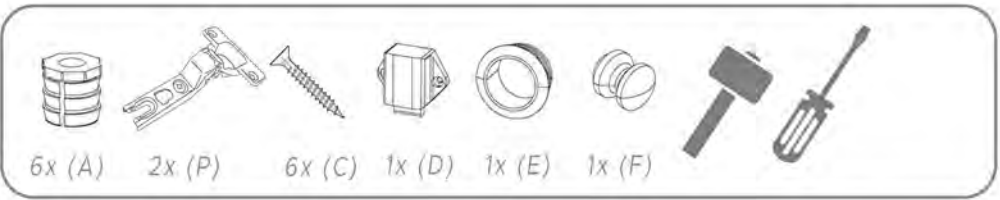


11.a

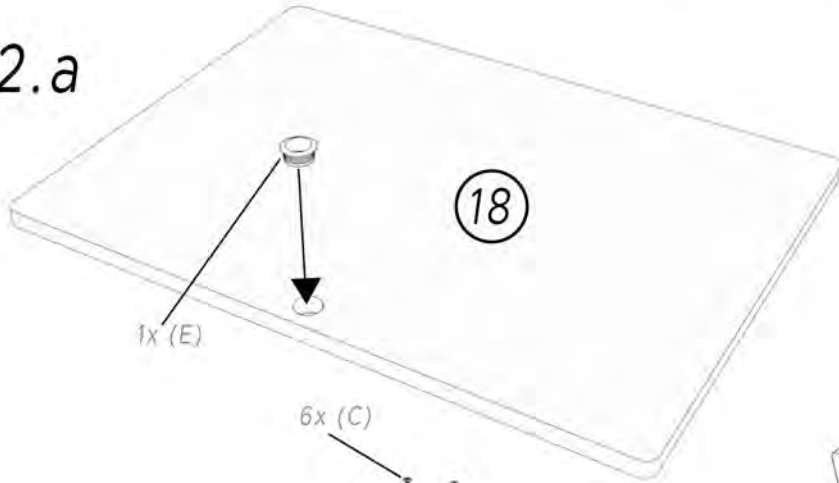


*Tambour doors should be fitted
BEFORE installing the units
into the van.*

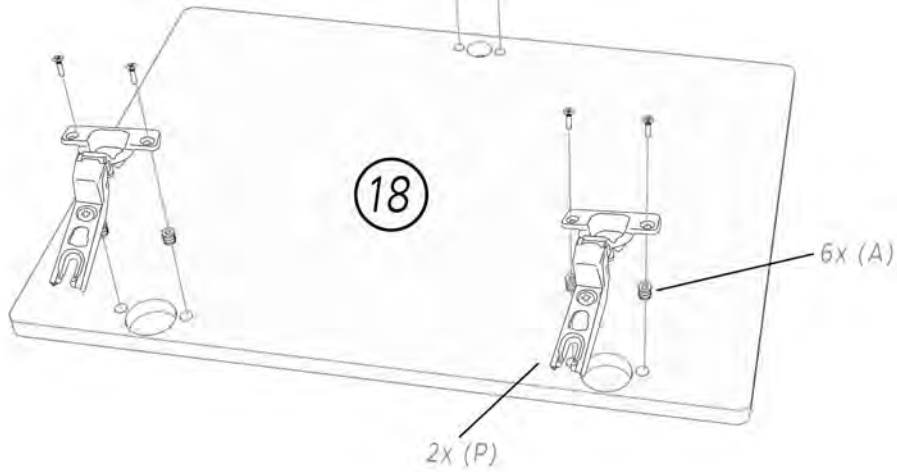
12.



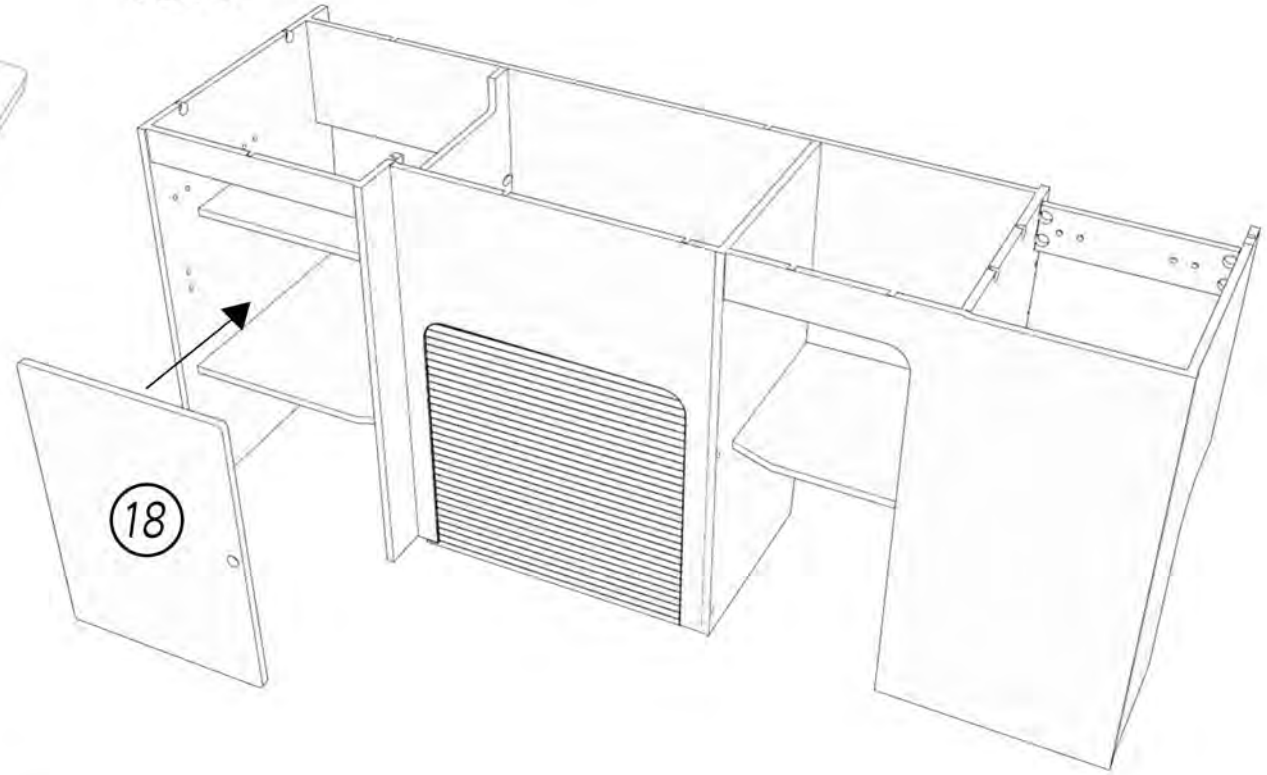
12.a



12.b

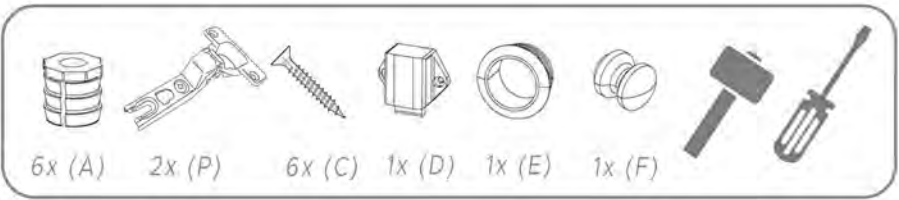


12.c

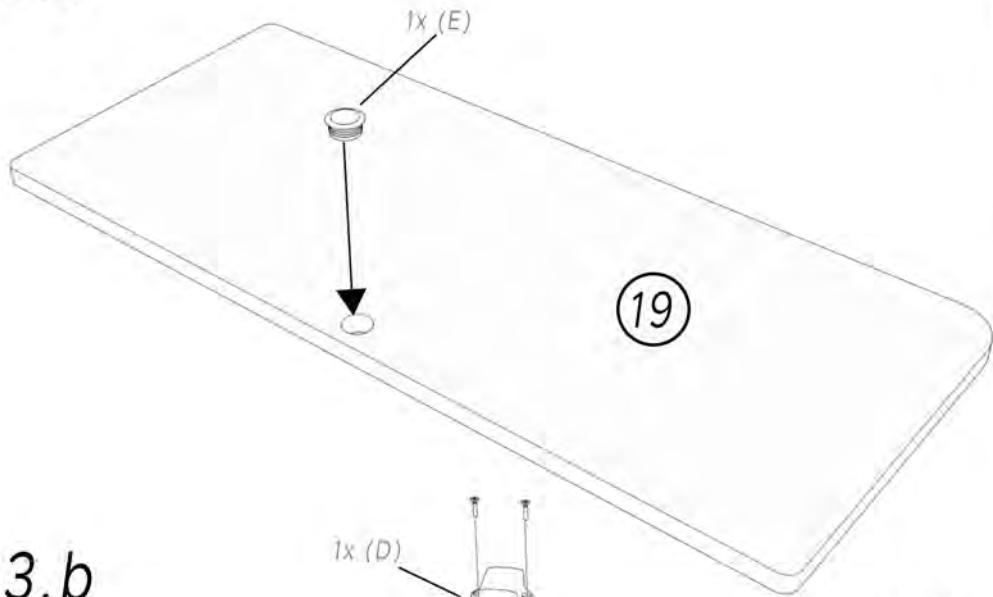




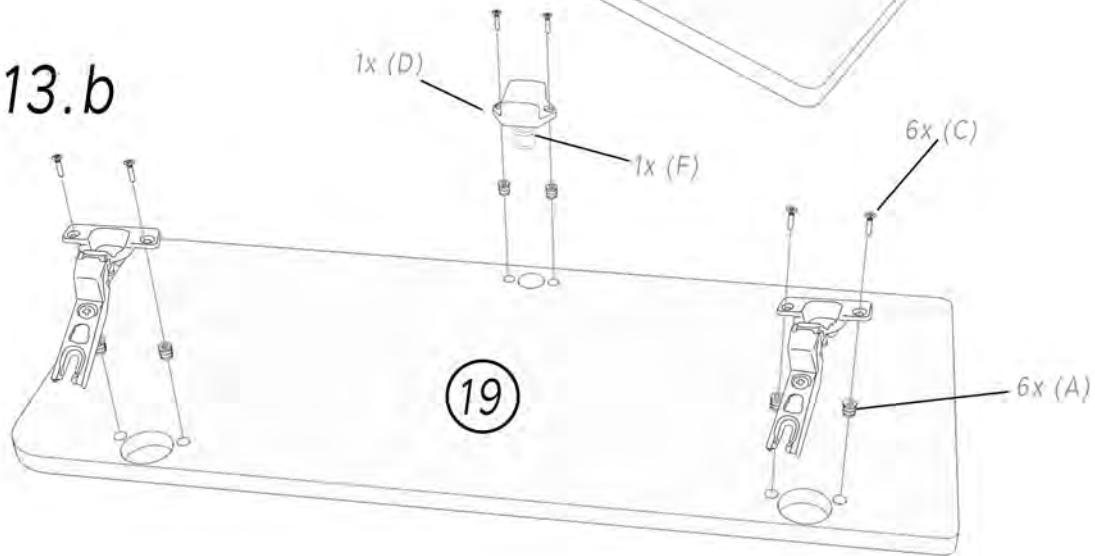
13.



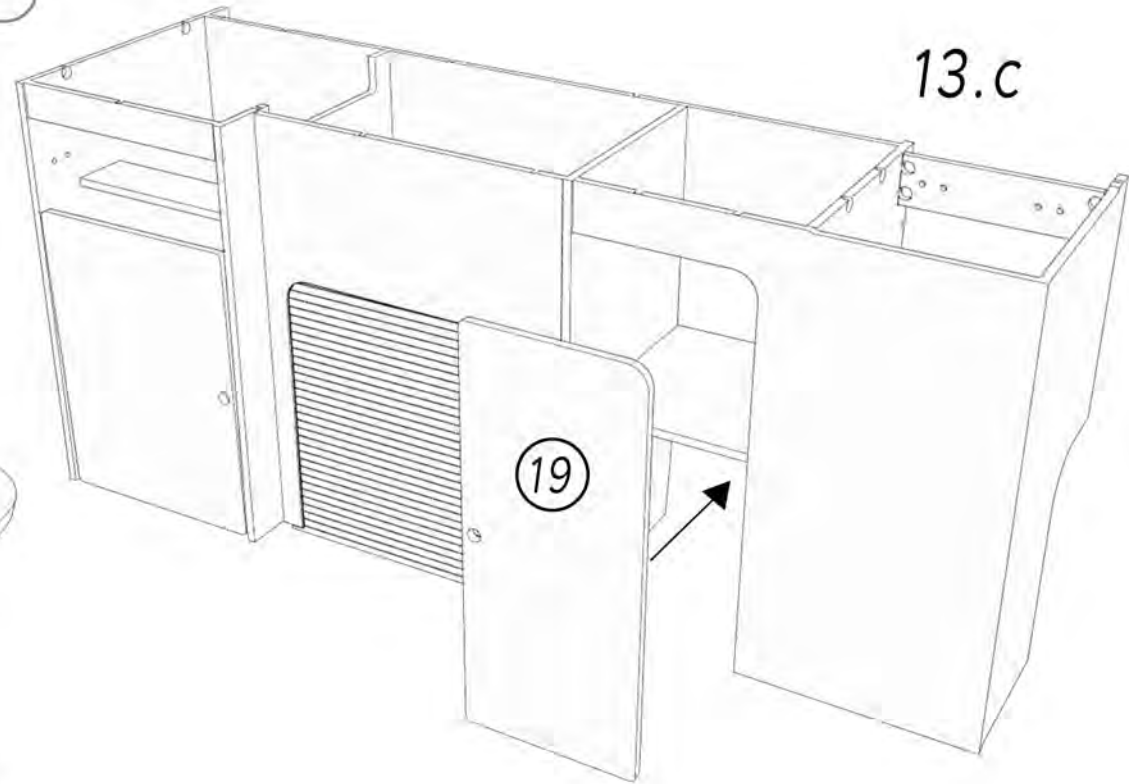
13.a



13.b

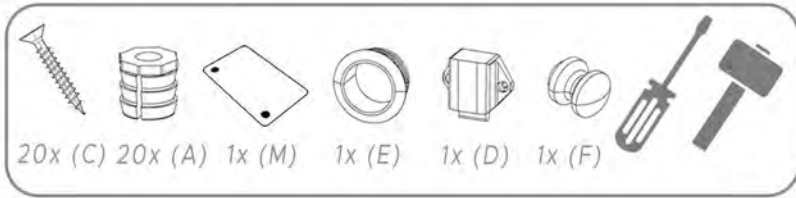


13.c

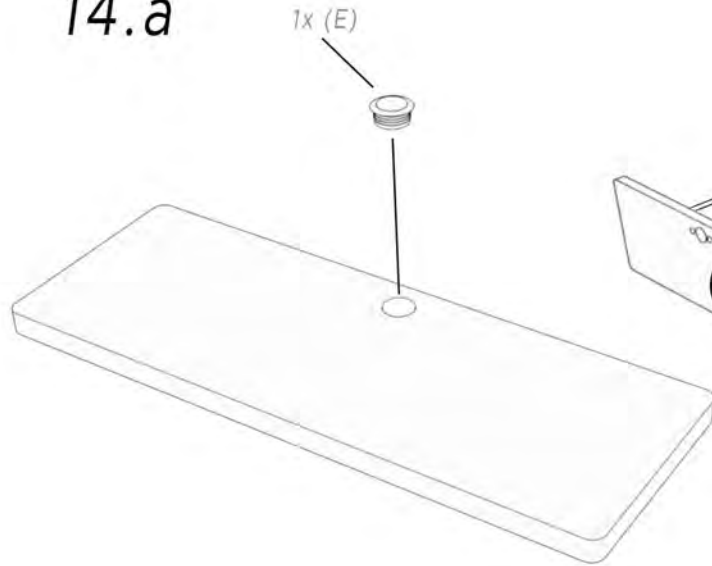




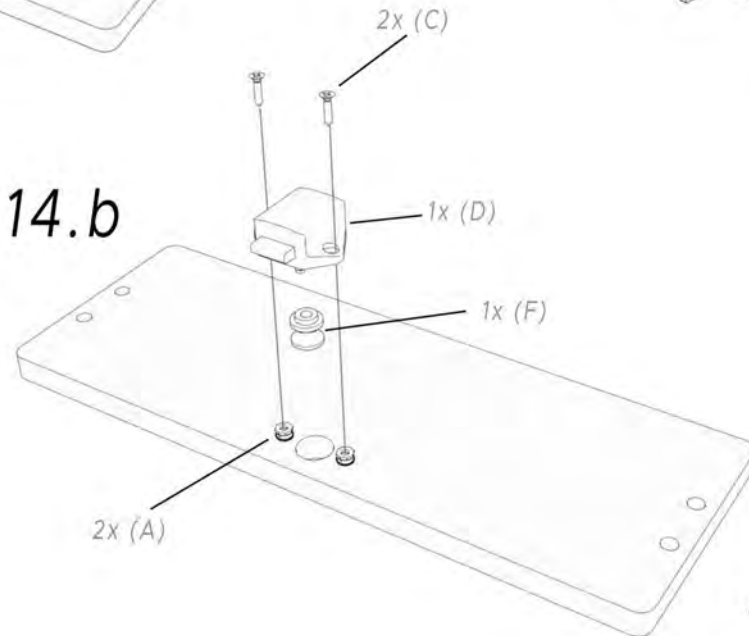
14.



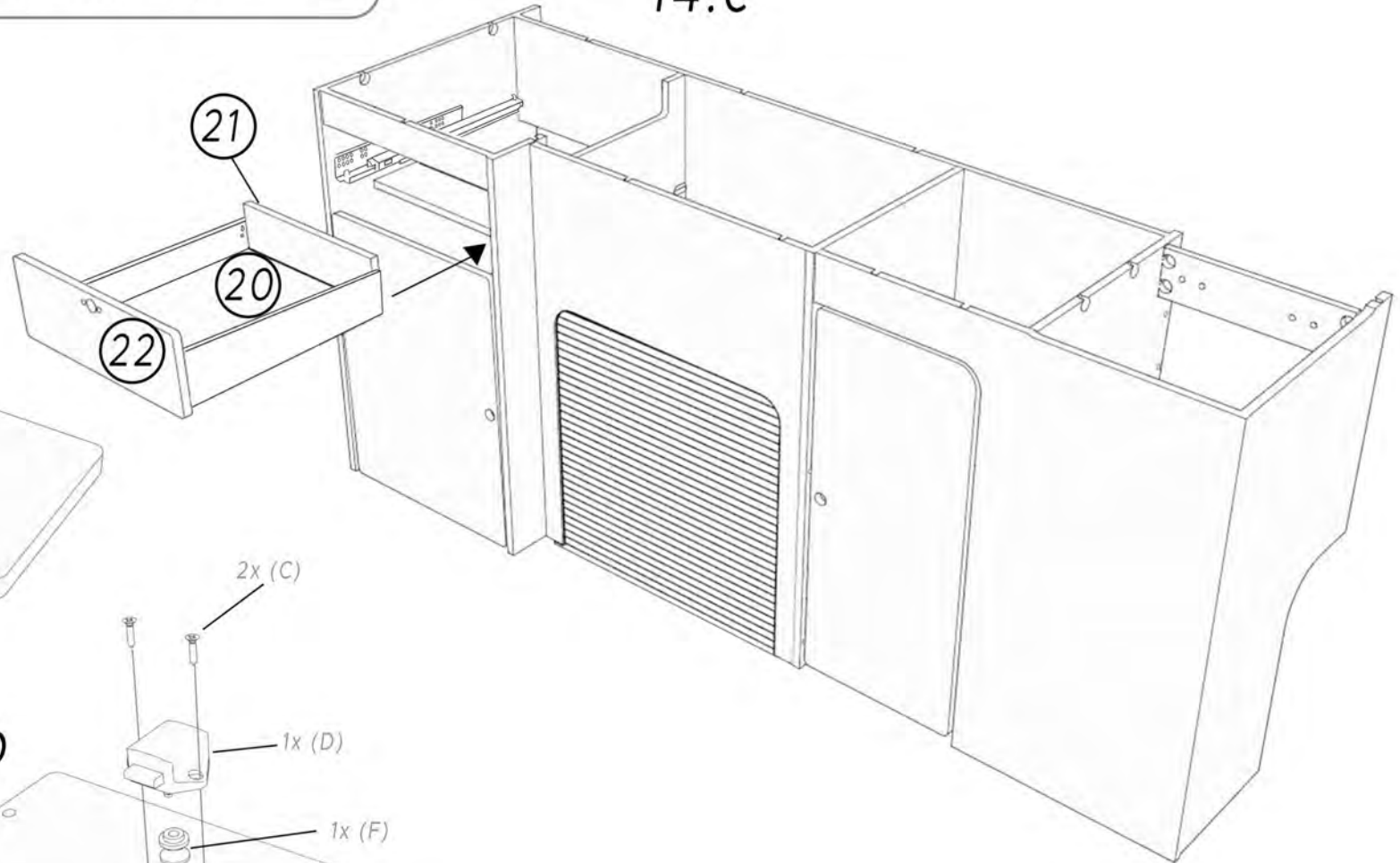
14.a



14.b

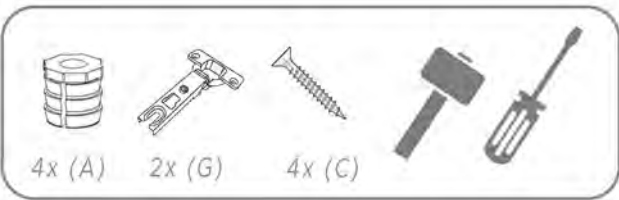


14.c

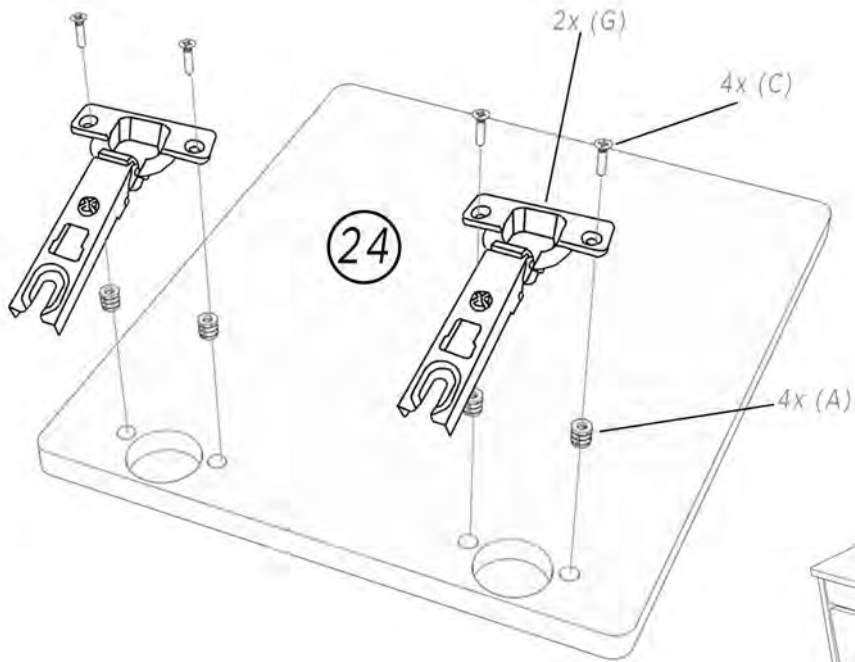


Assemble drawer using manufacturer's instructions provided with drawer set.

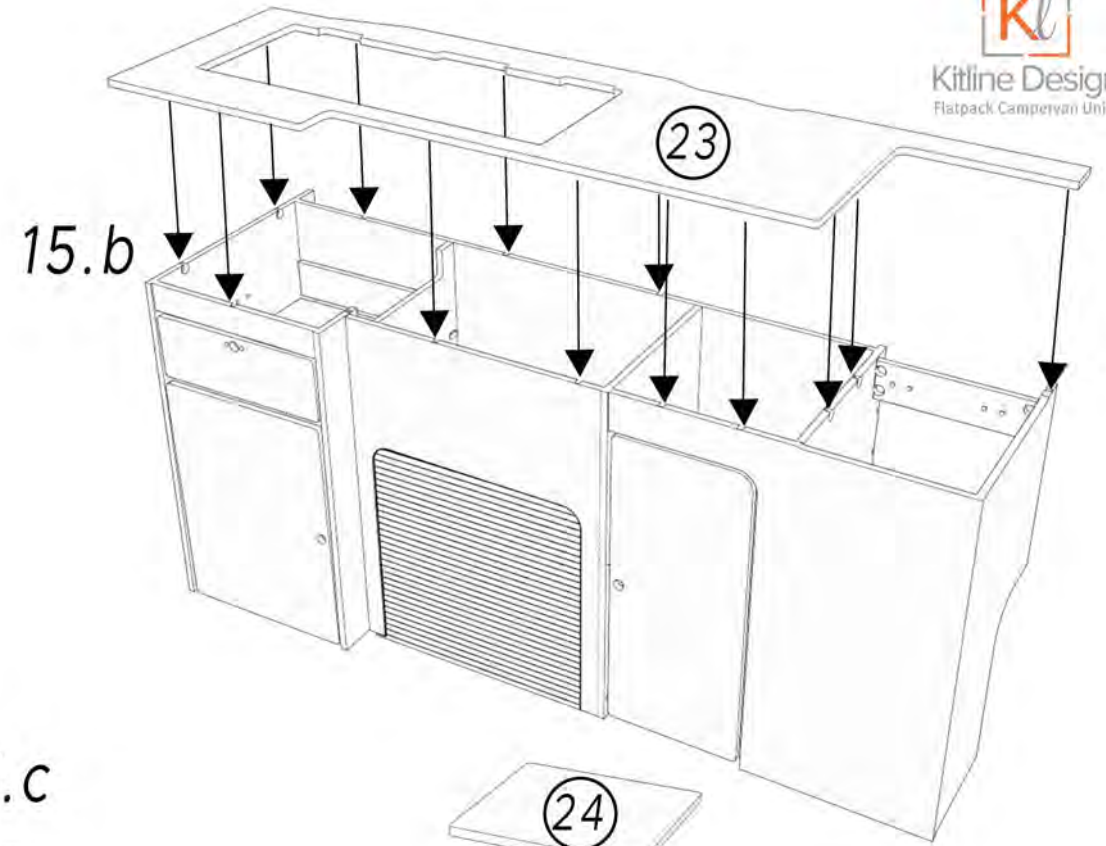
15.



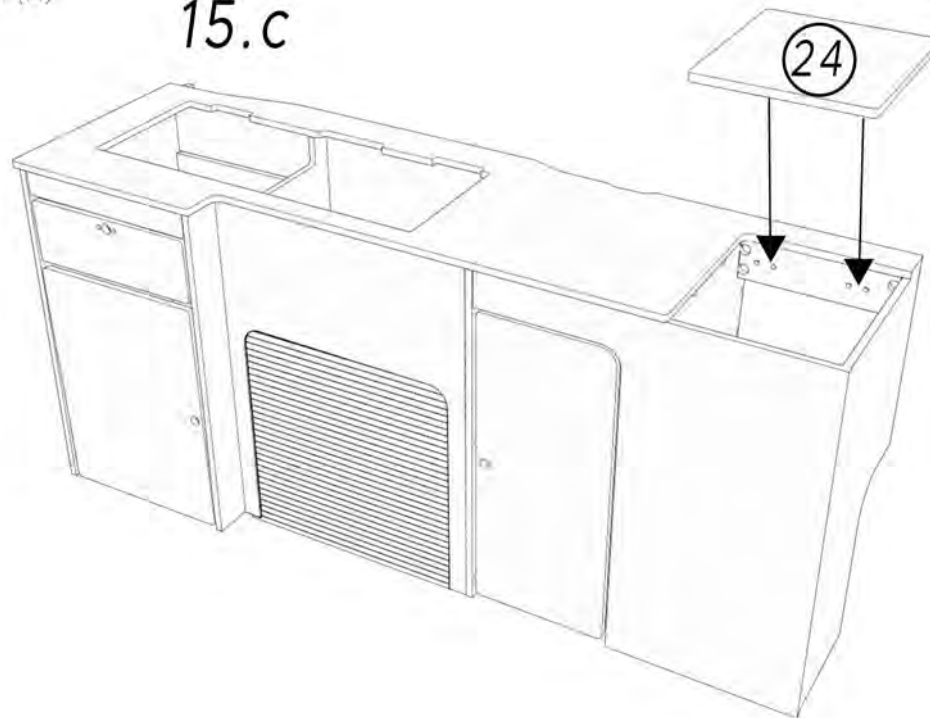
15.a



15.b



15.c



16.

