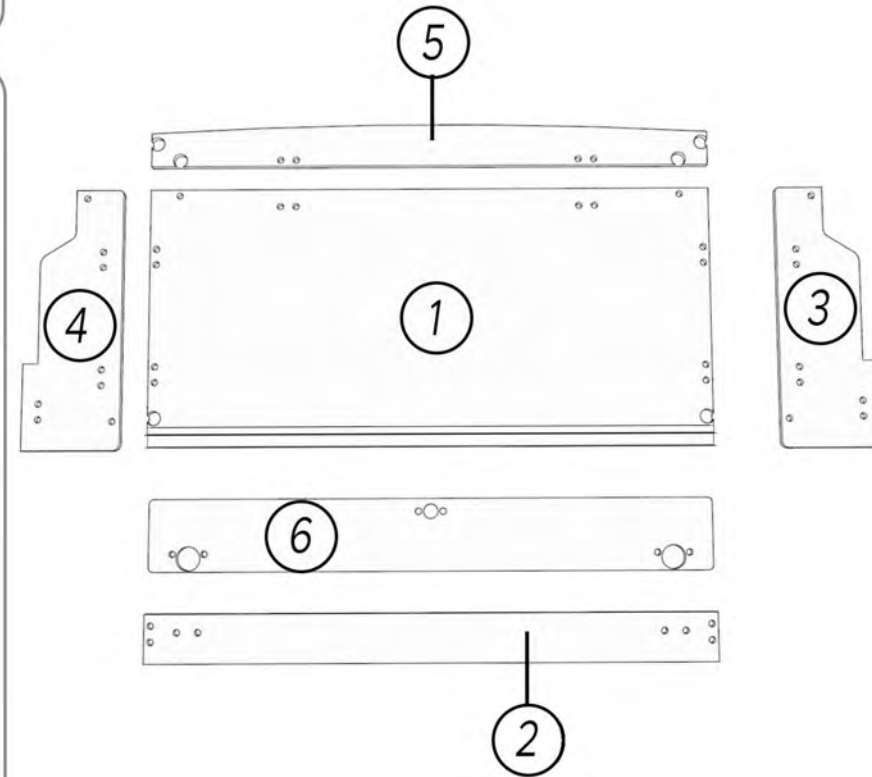
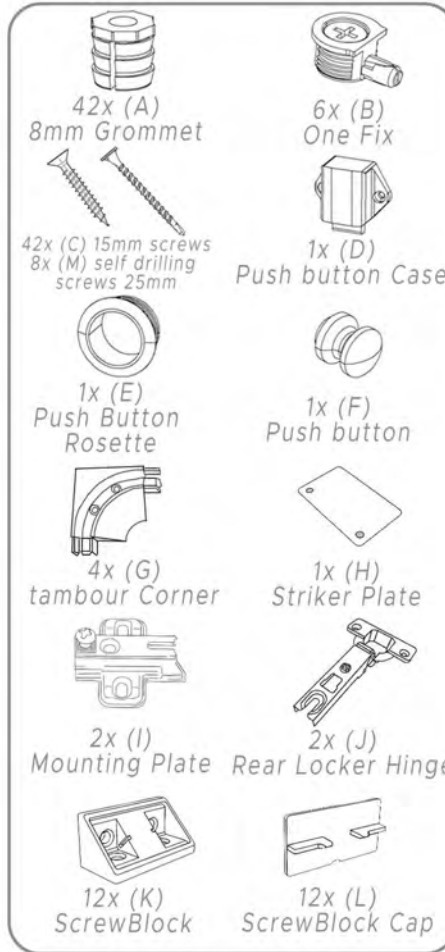
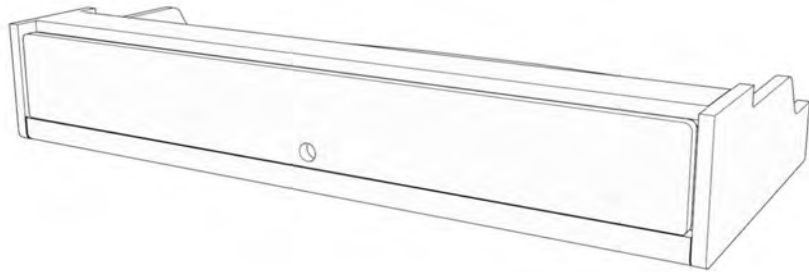
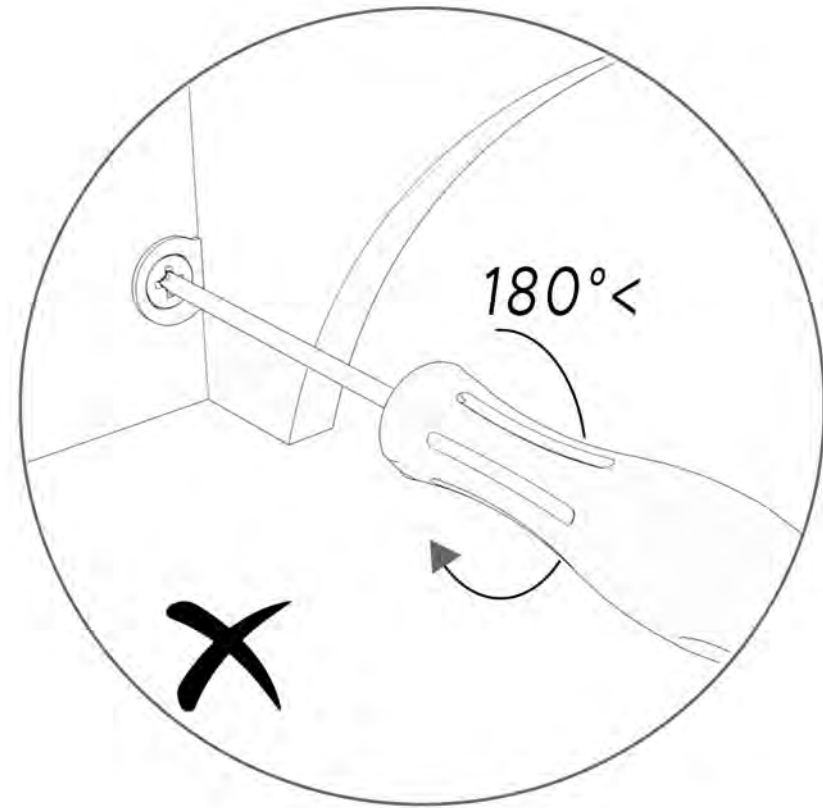
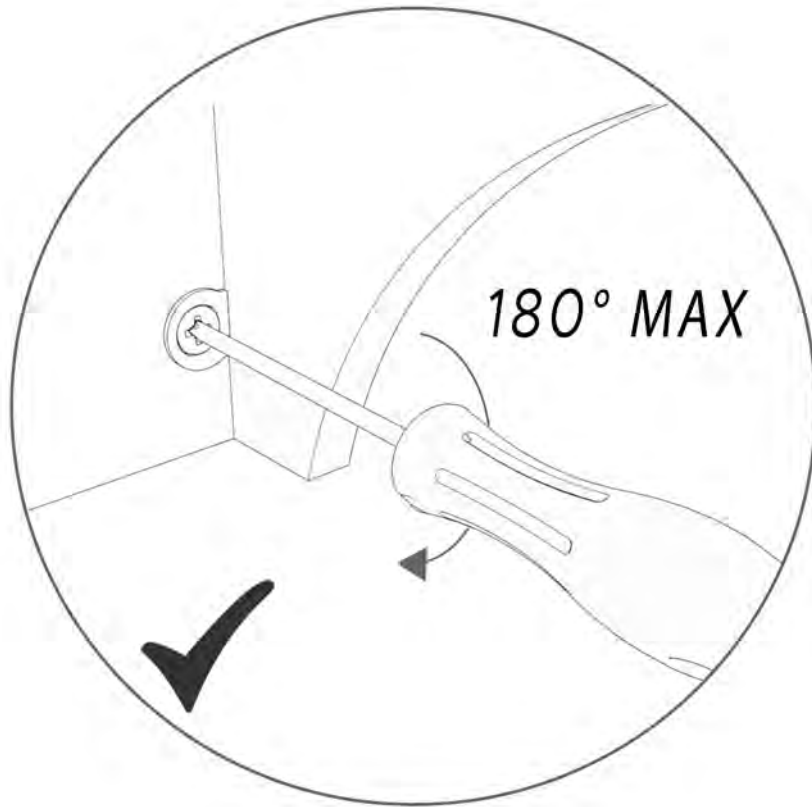


# Rear Locker-Coastline



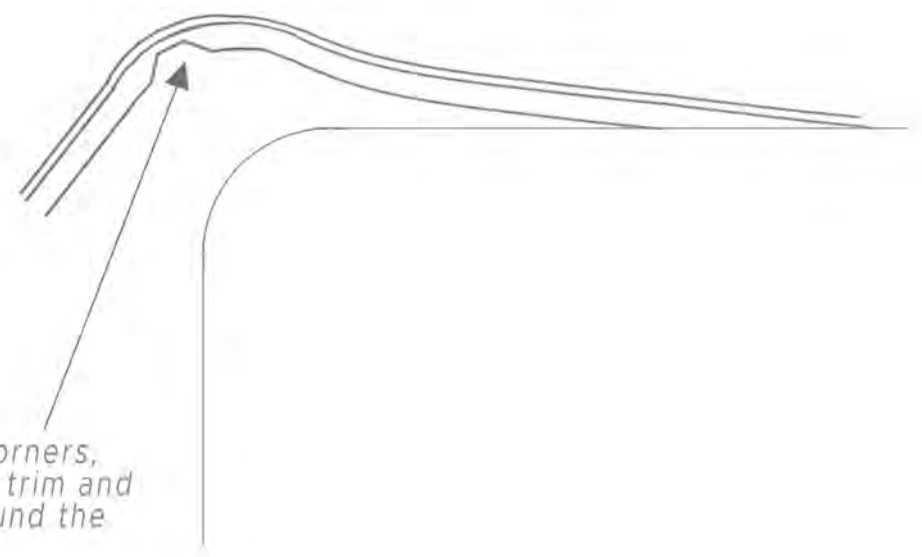
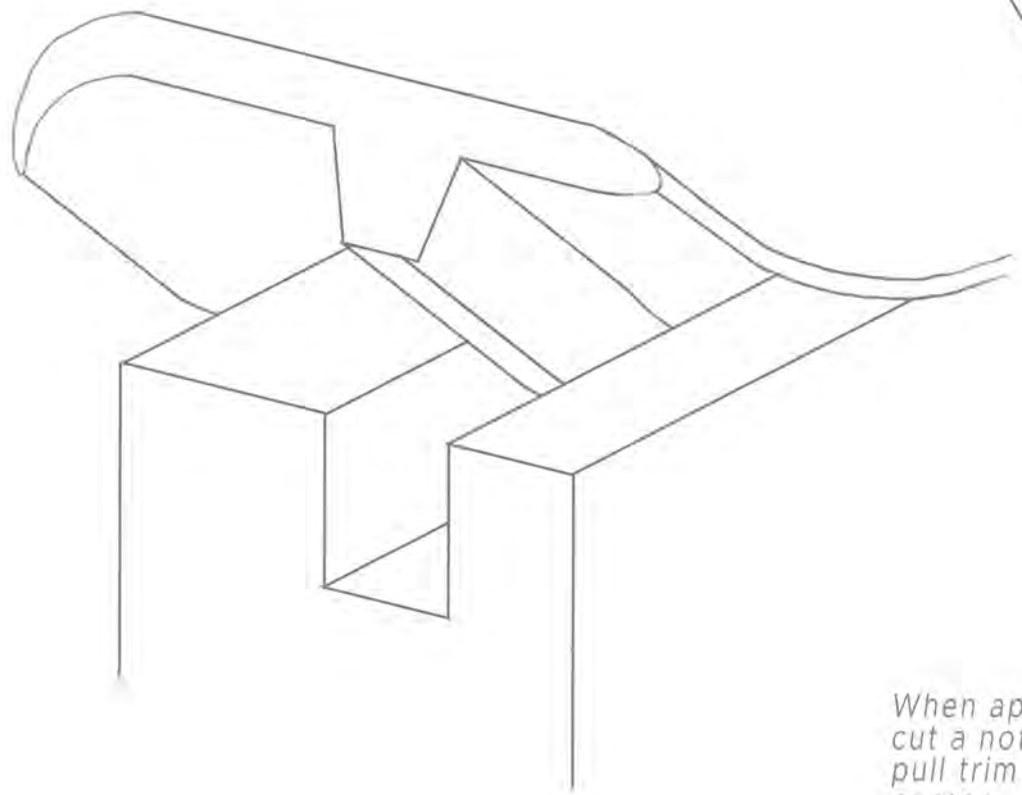
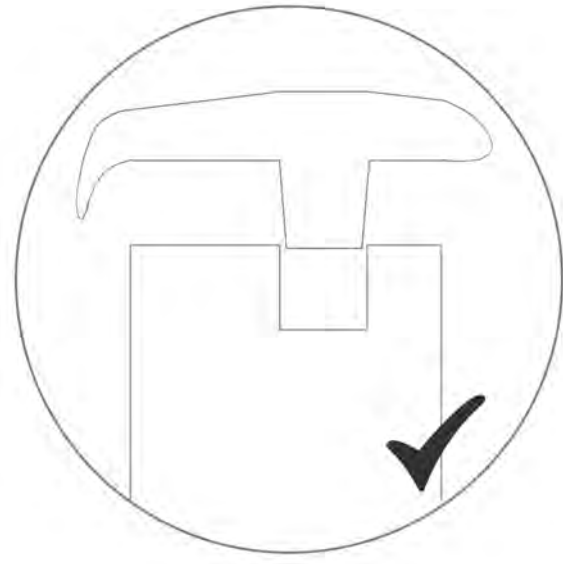


*Do not over tighten Onefix  
Connectors!*

1.

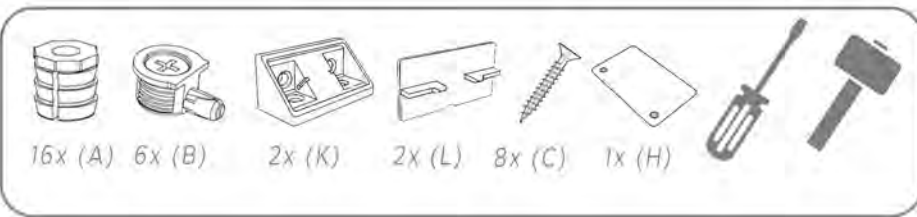


 All pieces must have T-Trim applied before assembly!

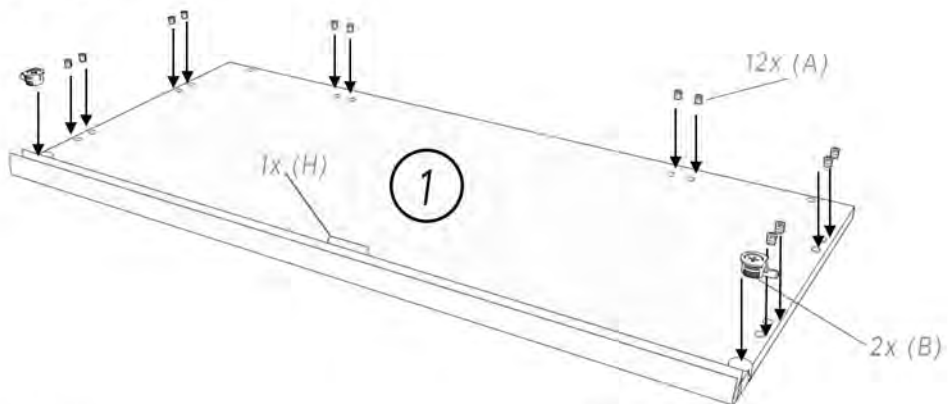


When applying to corners, cut a notch into the trim and pull trim tightly around the corner.

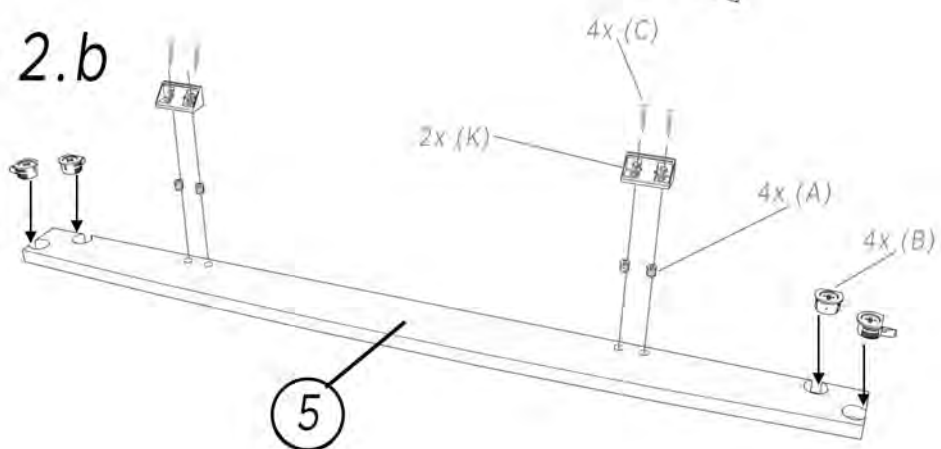
# 2.



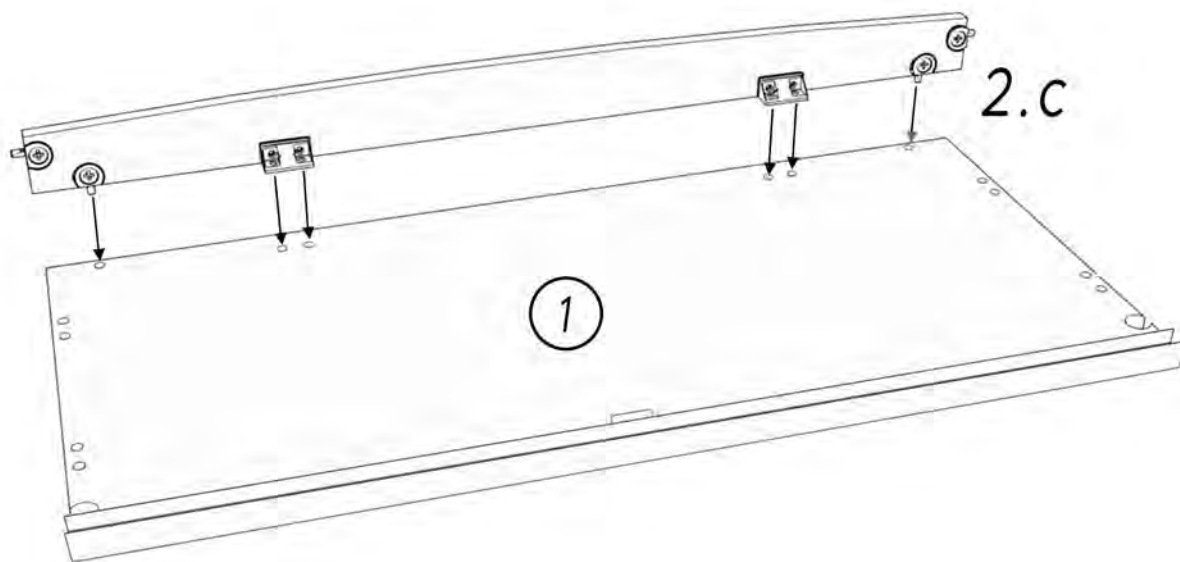
### 2.a



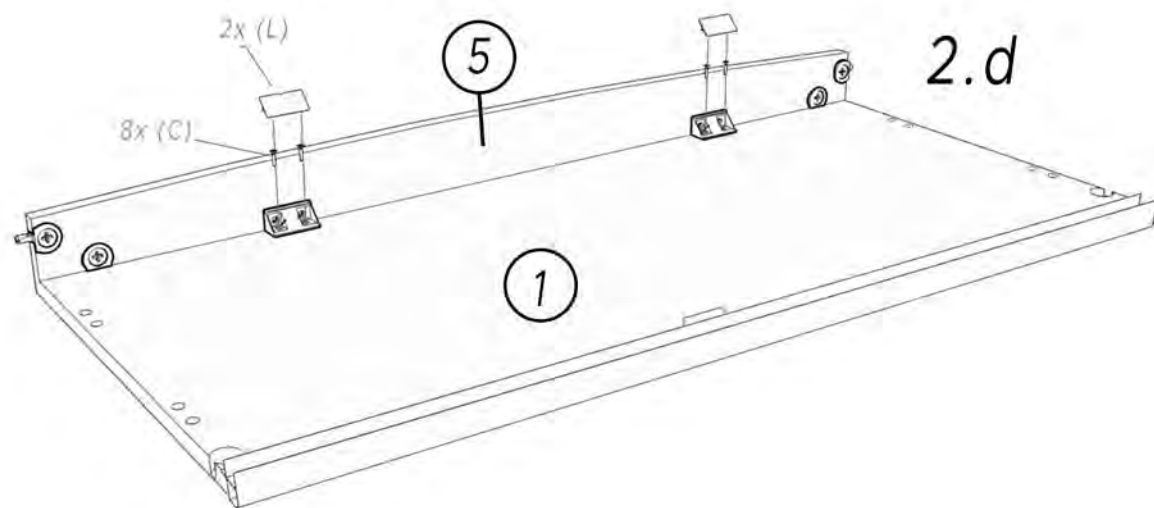
### 2.b



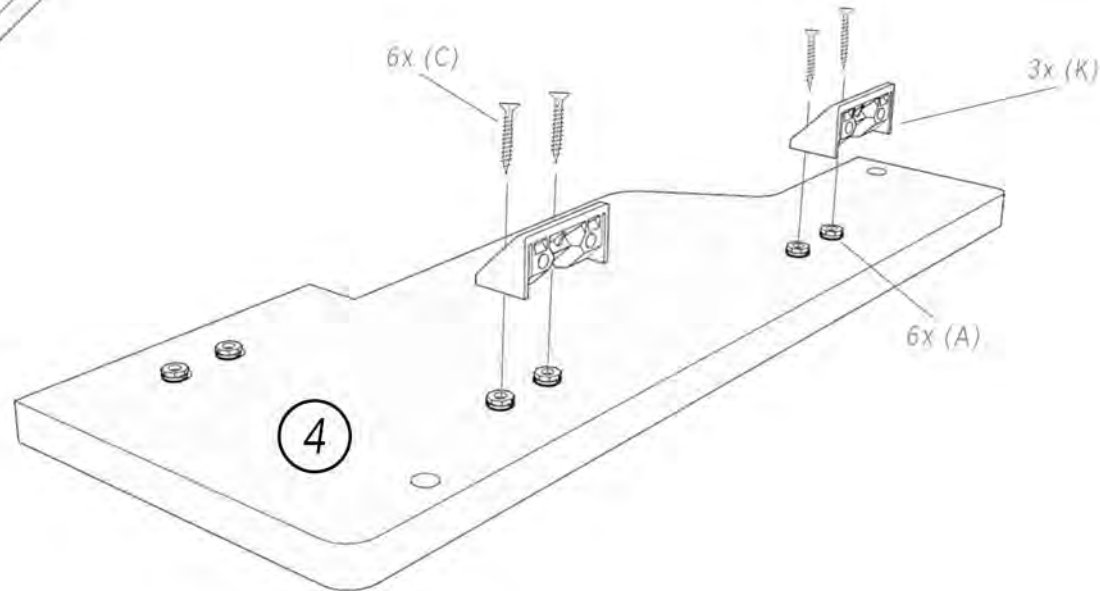
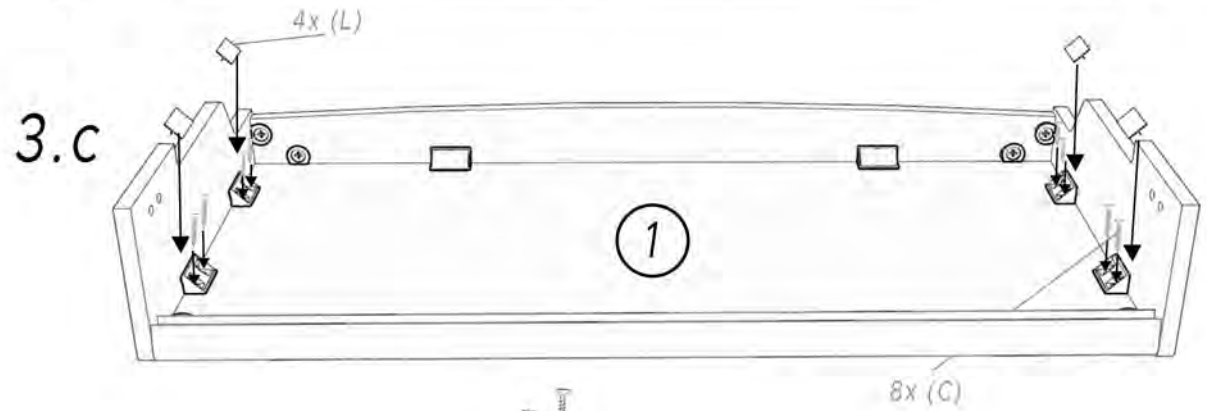
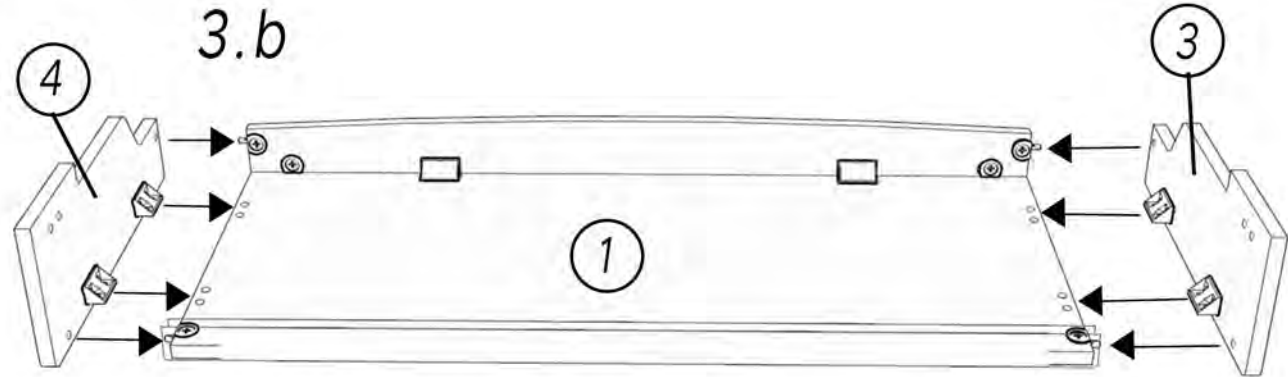
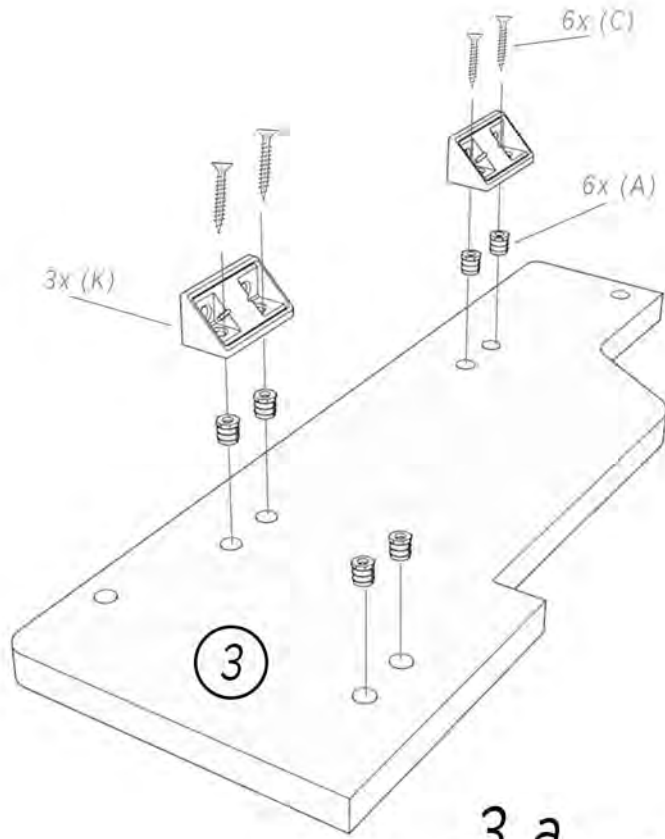
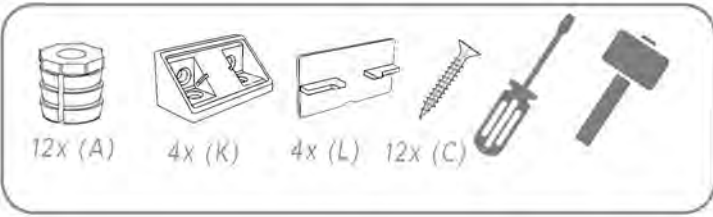
### 2.c



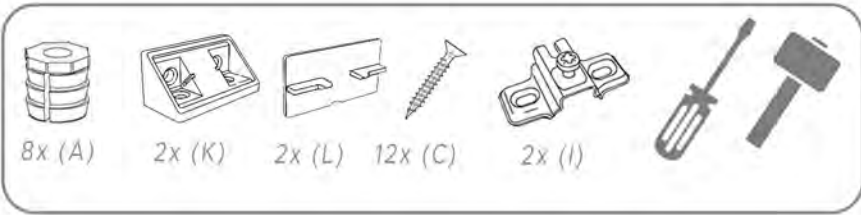
### 2.d



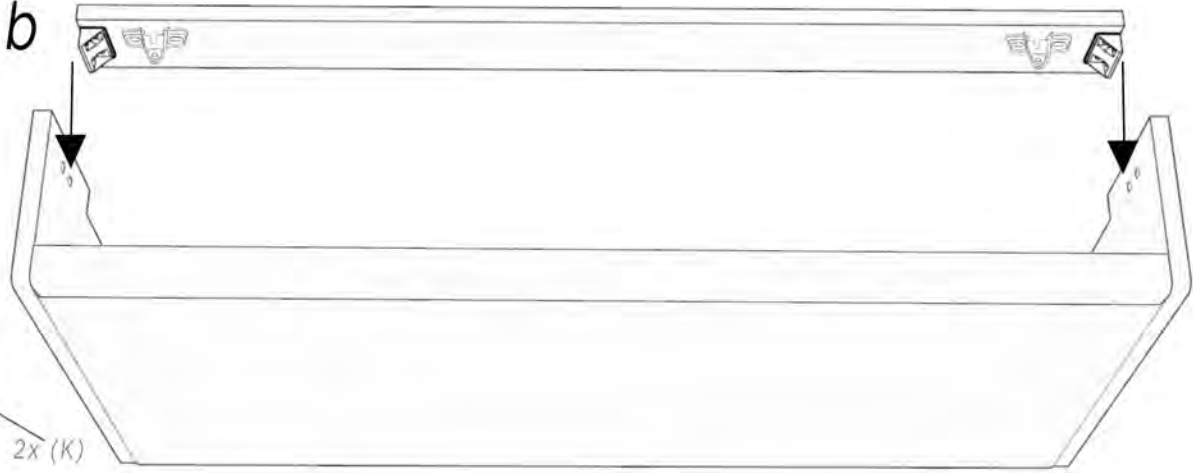
# 3.



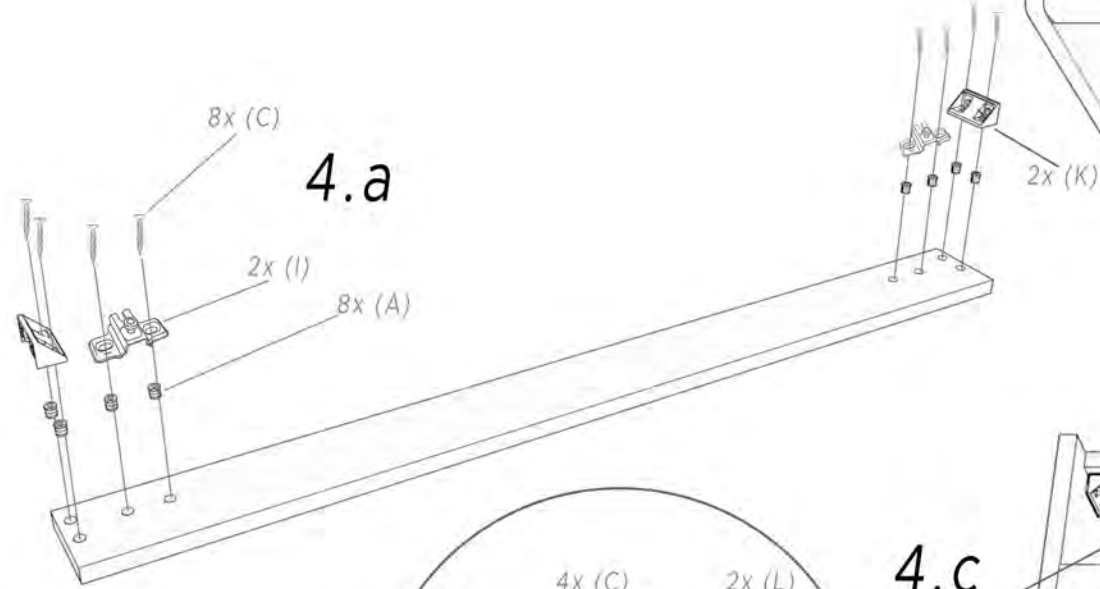
# 4.



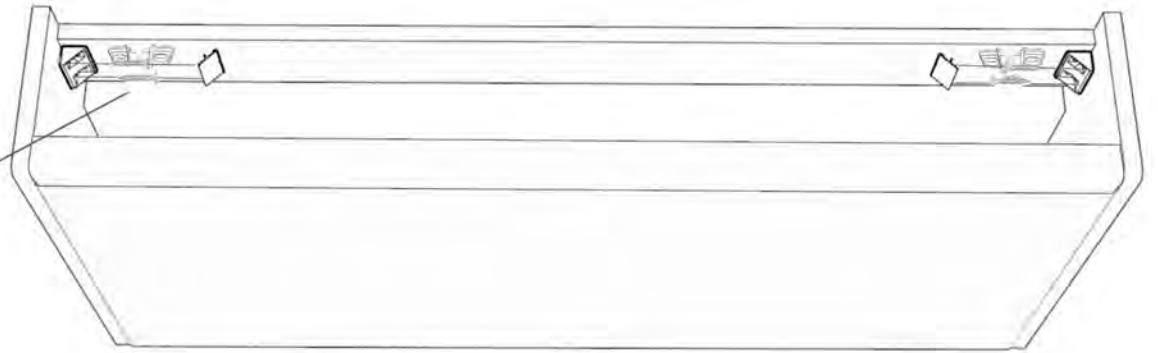
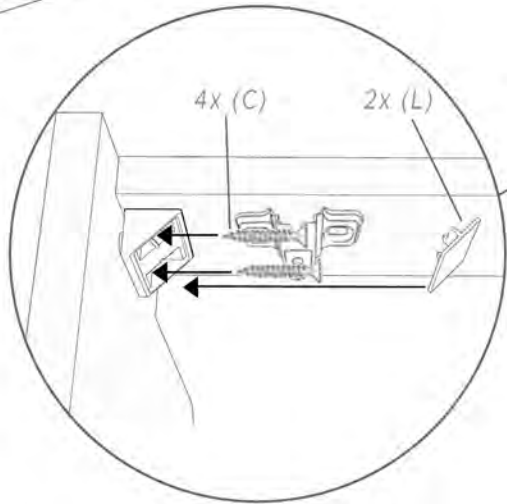
## 4.b



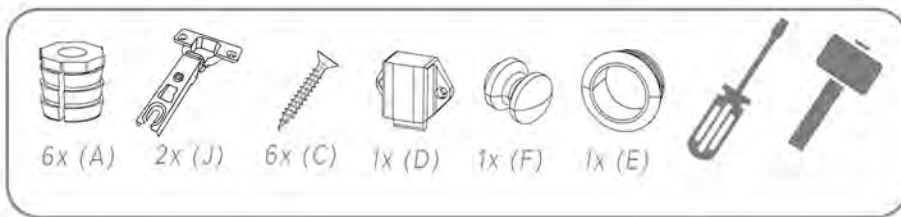
## 4.a



## 4.c



# 5.



## 5.b

