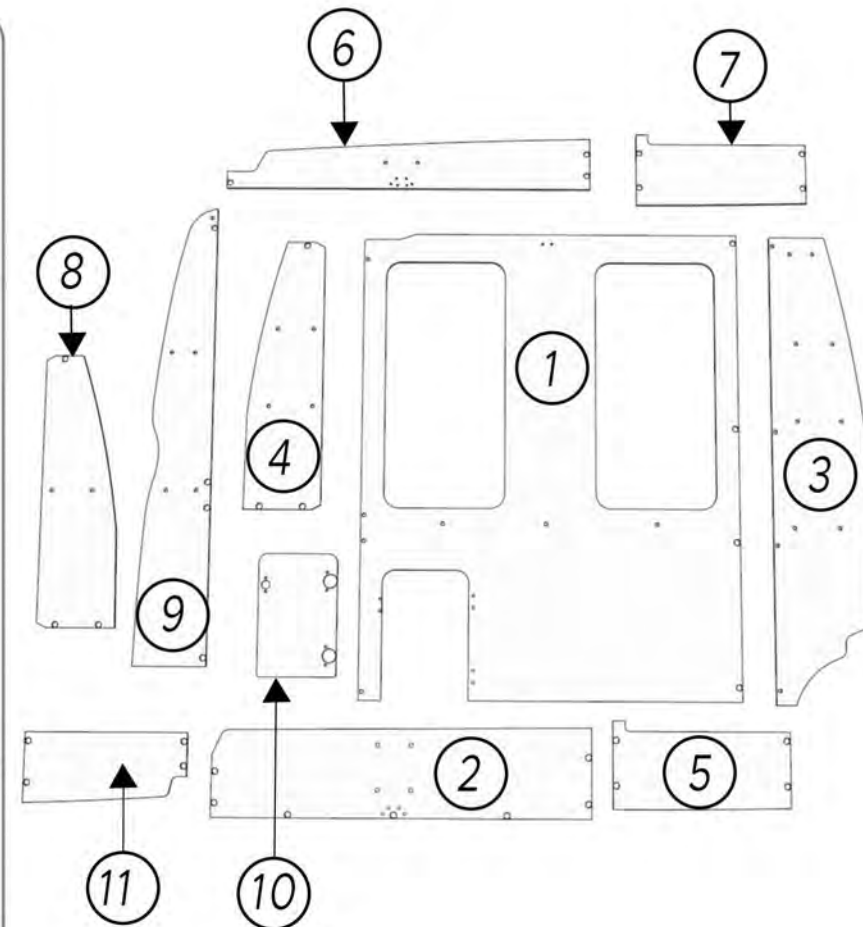
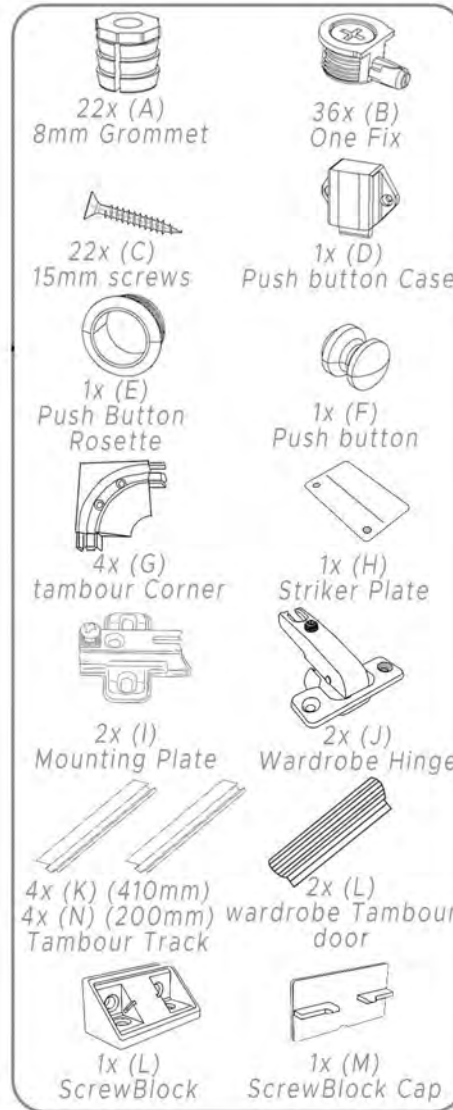
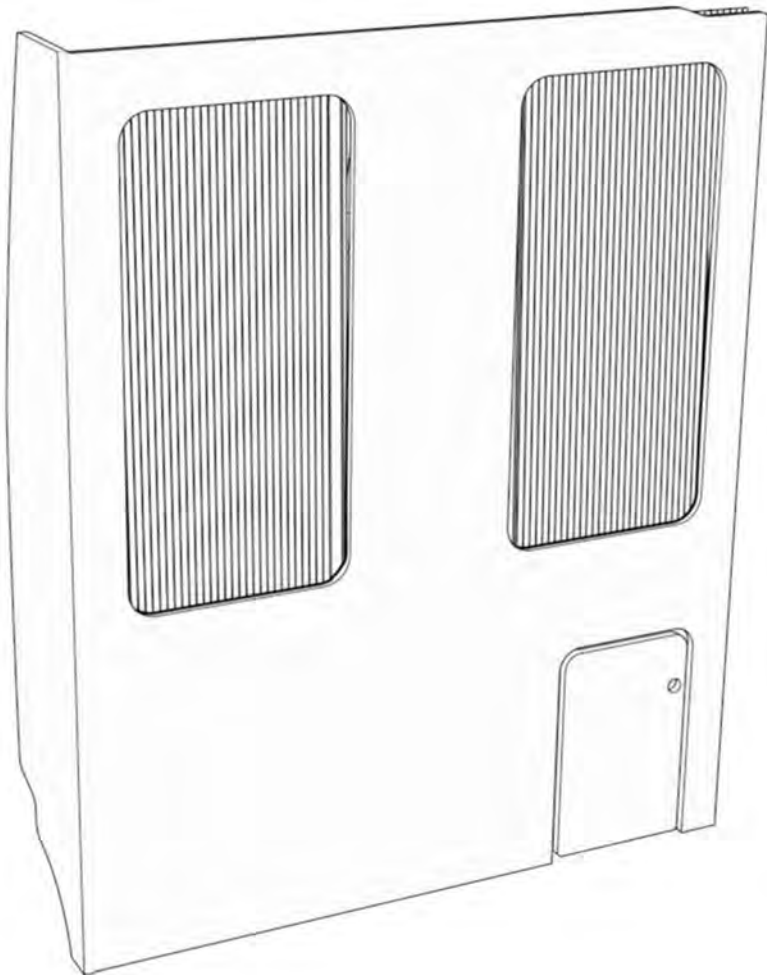
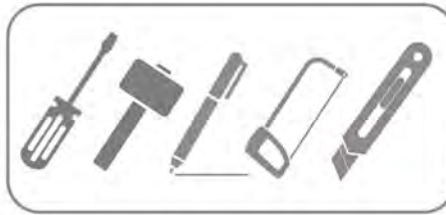
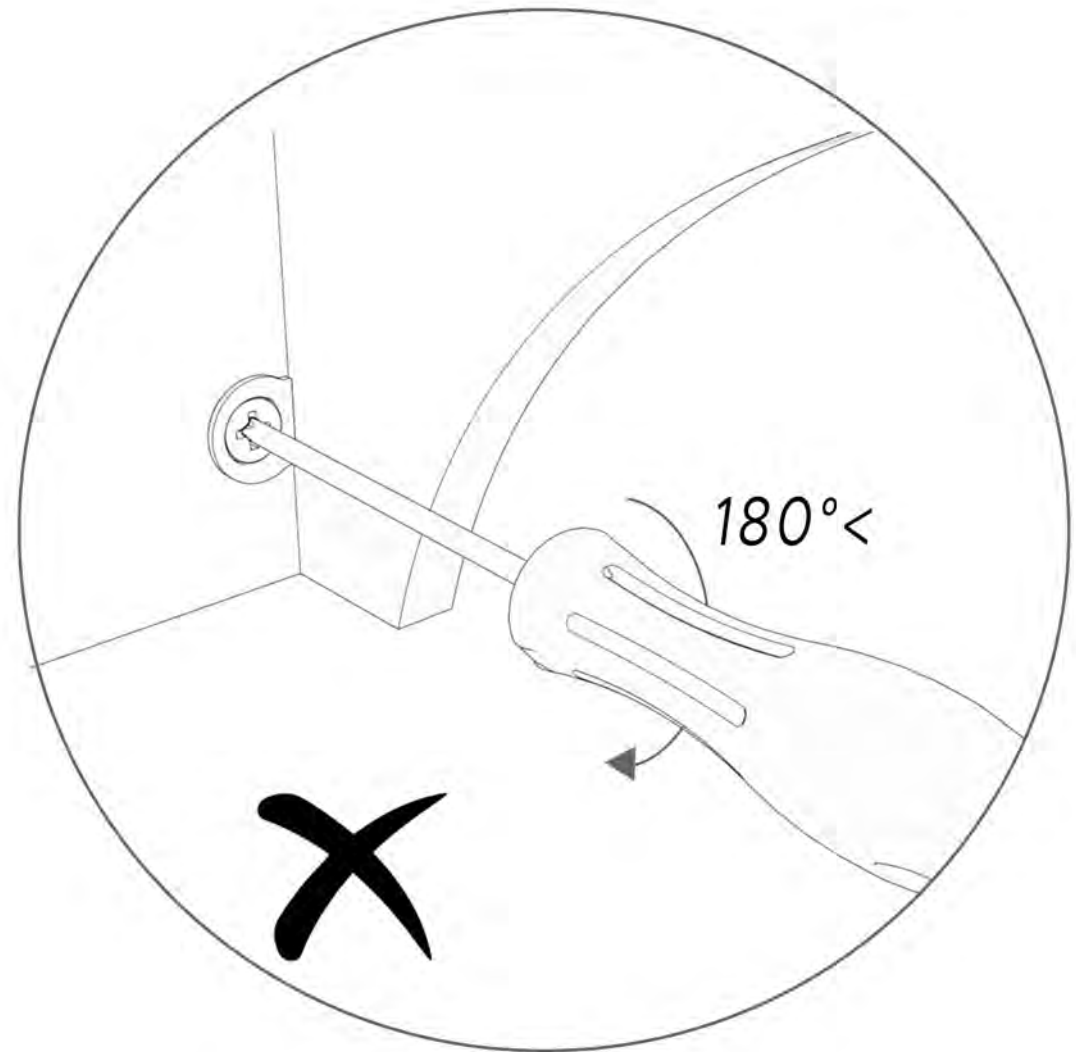
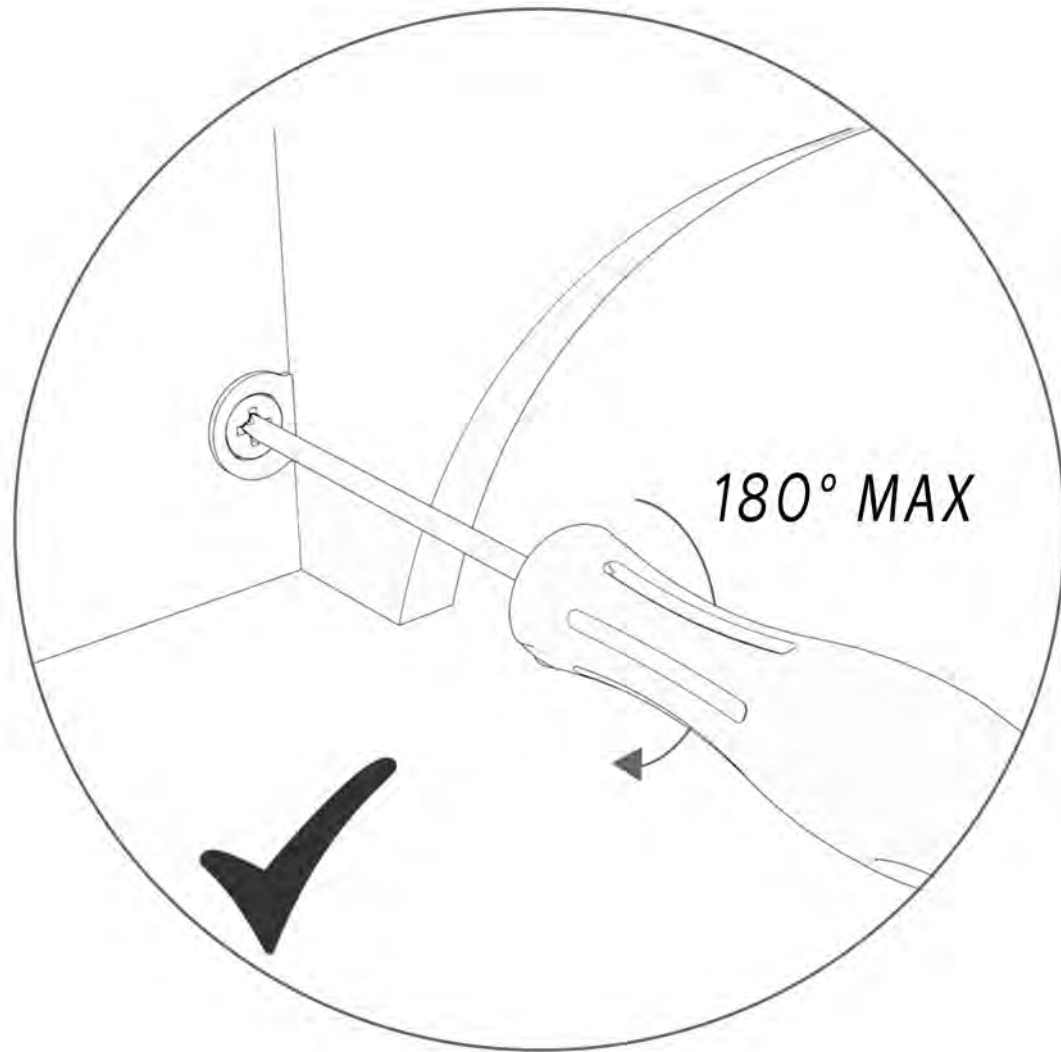


# Surflin SWB Wardrobe



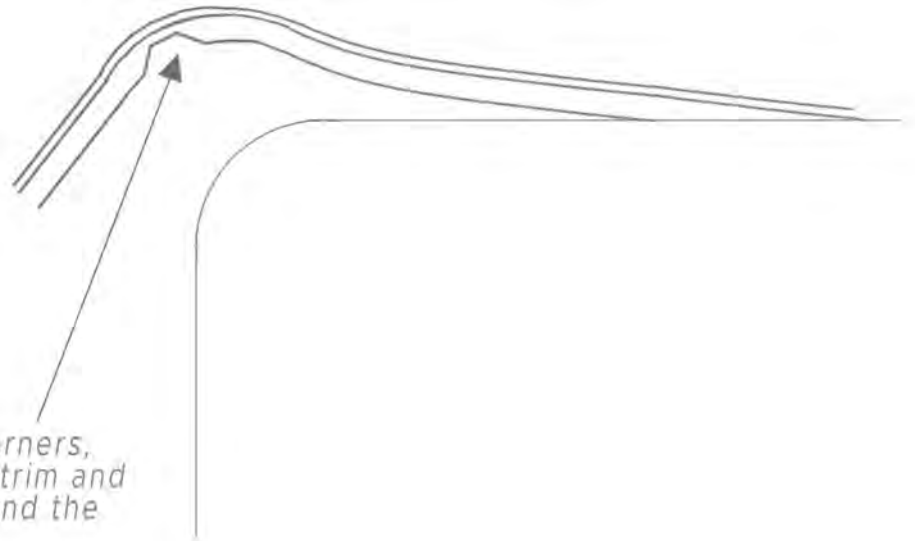
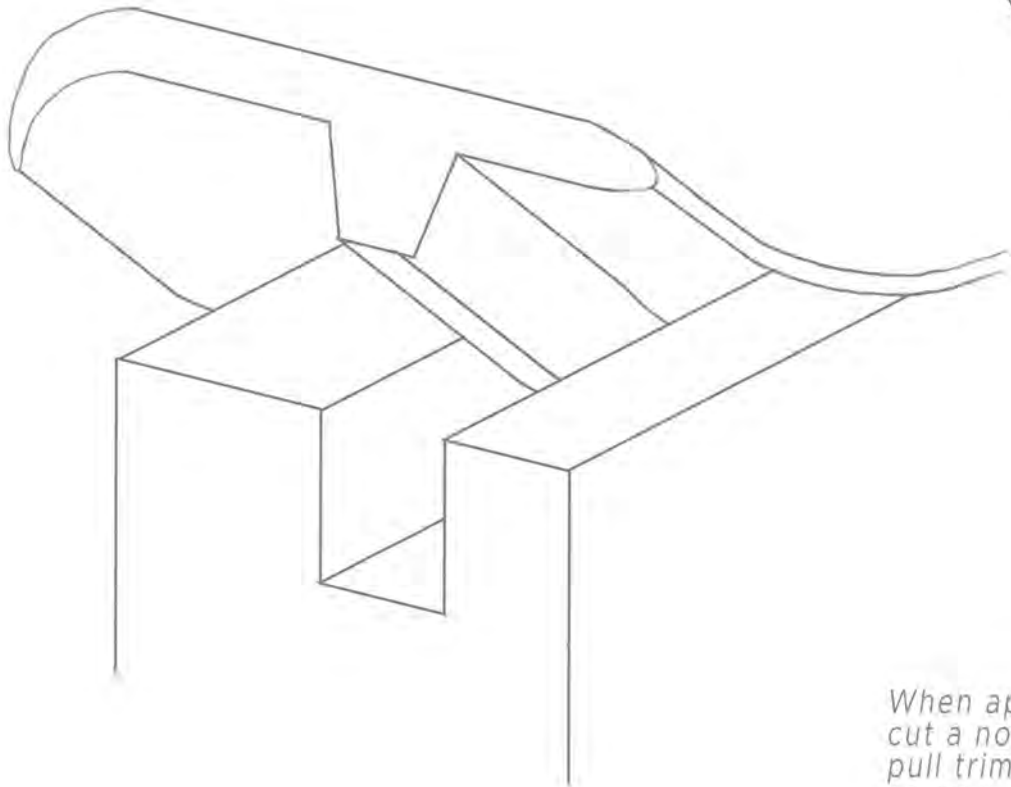
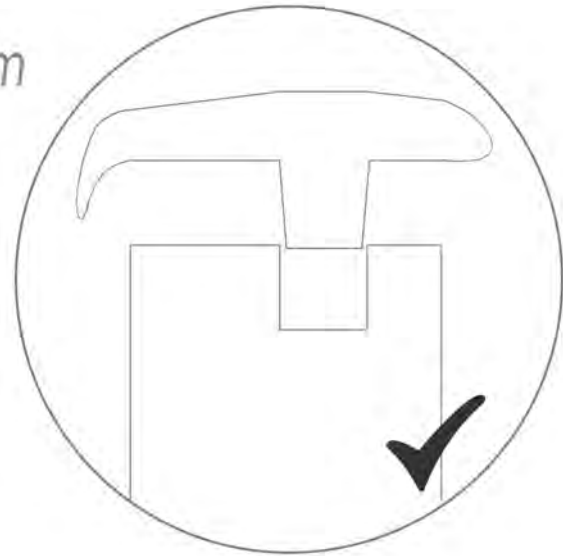


Do not over tighten Onefix  
Connectors!

1.

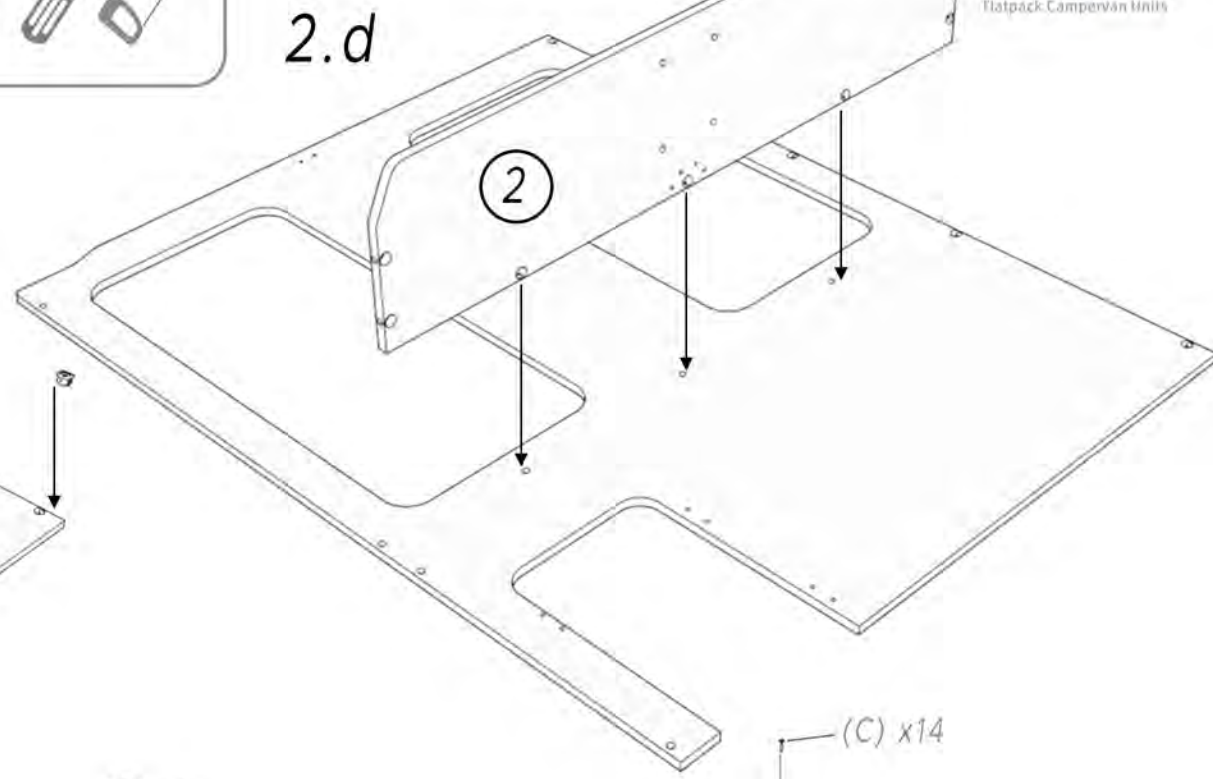
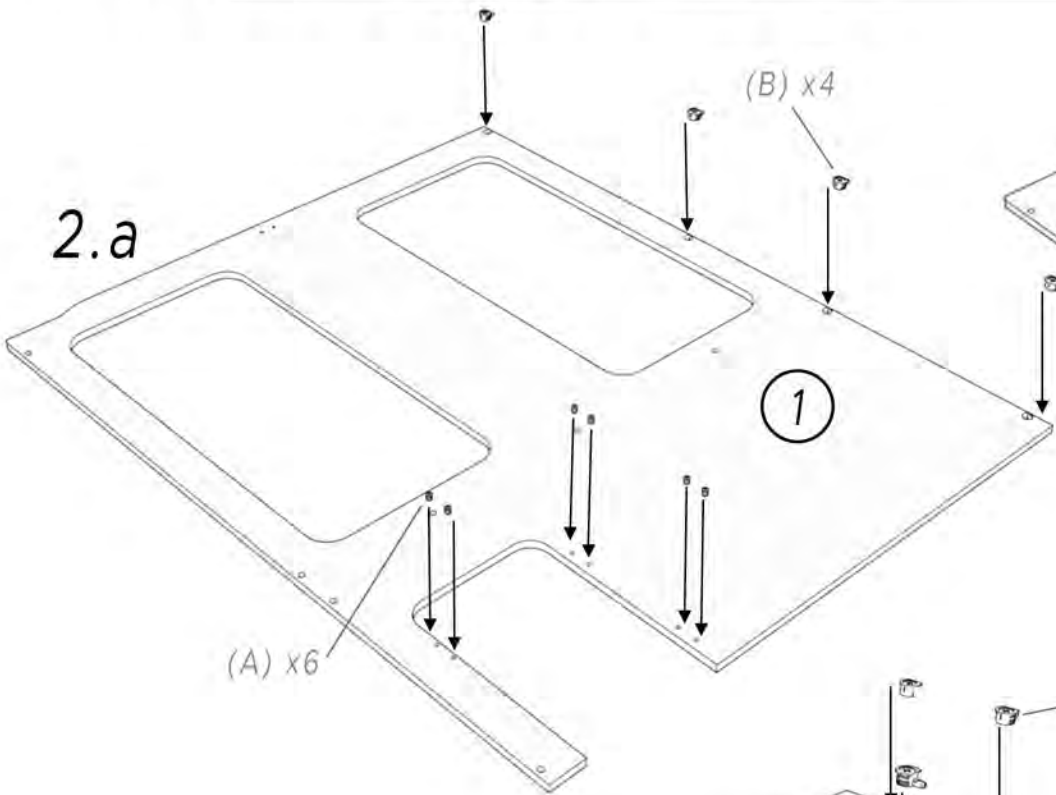
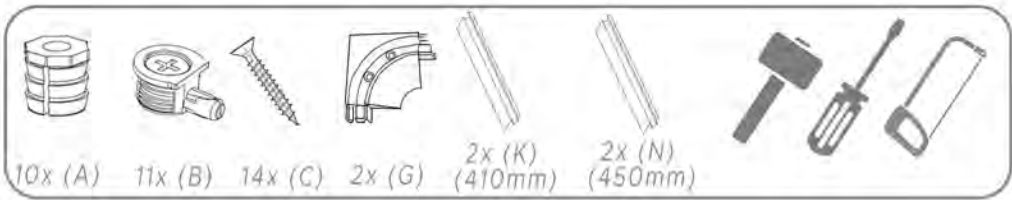


*All pieces should have T-Trim applied before assembly!*

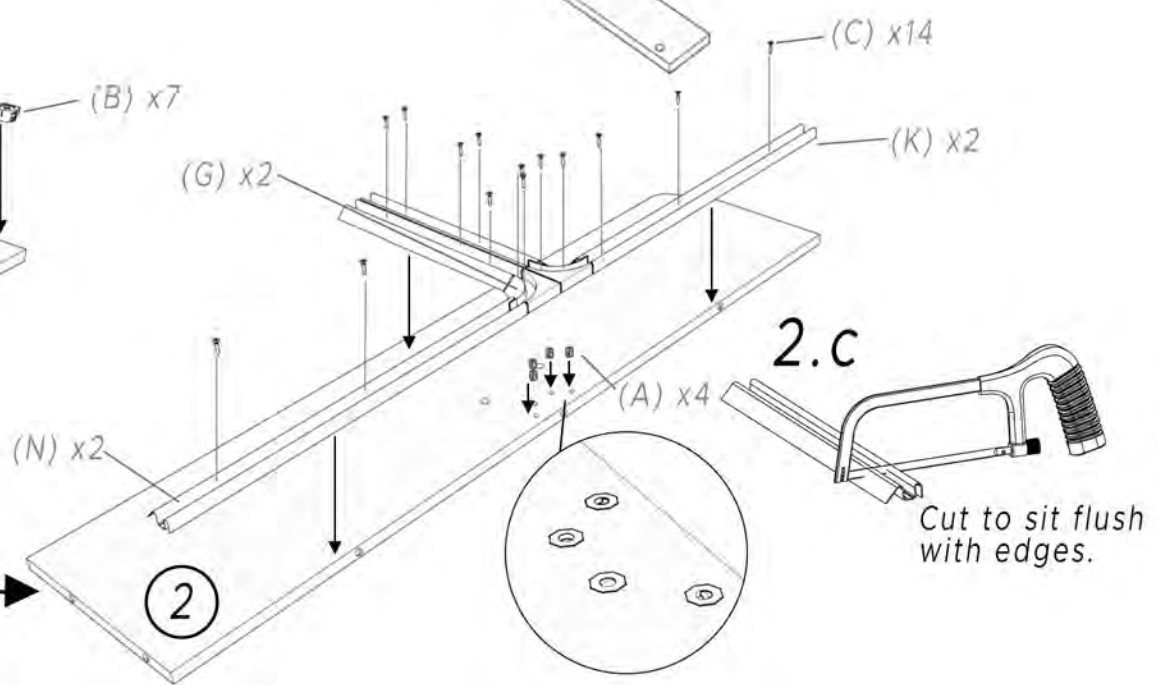
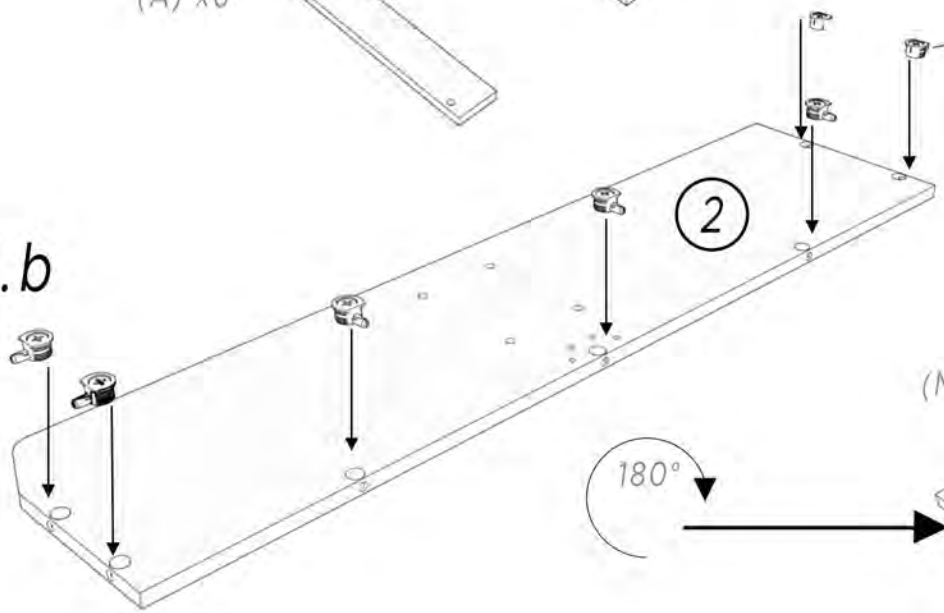


*When applying to corners, cut a notch into the trim and pull trim tightly around the corner.*

# 2.

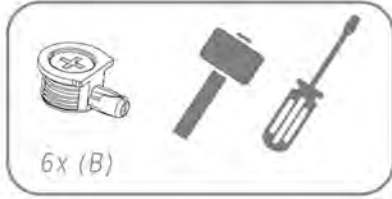


### 2.b



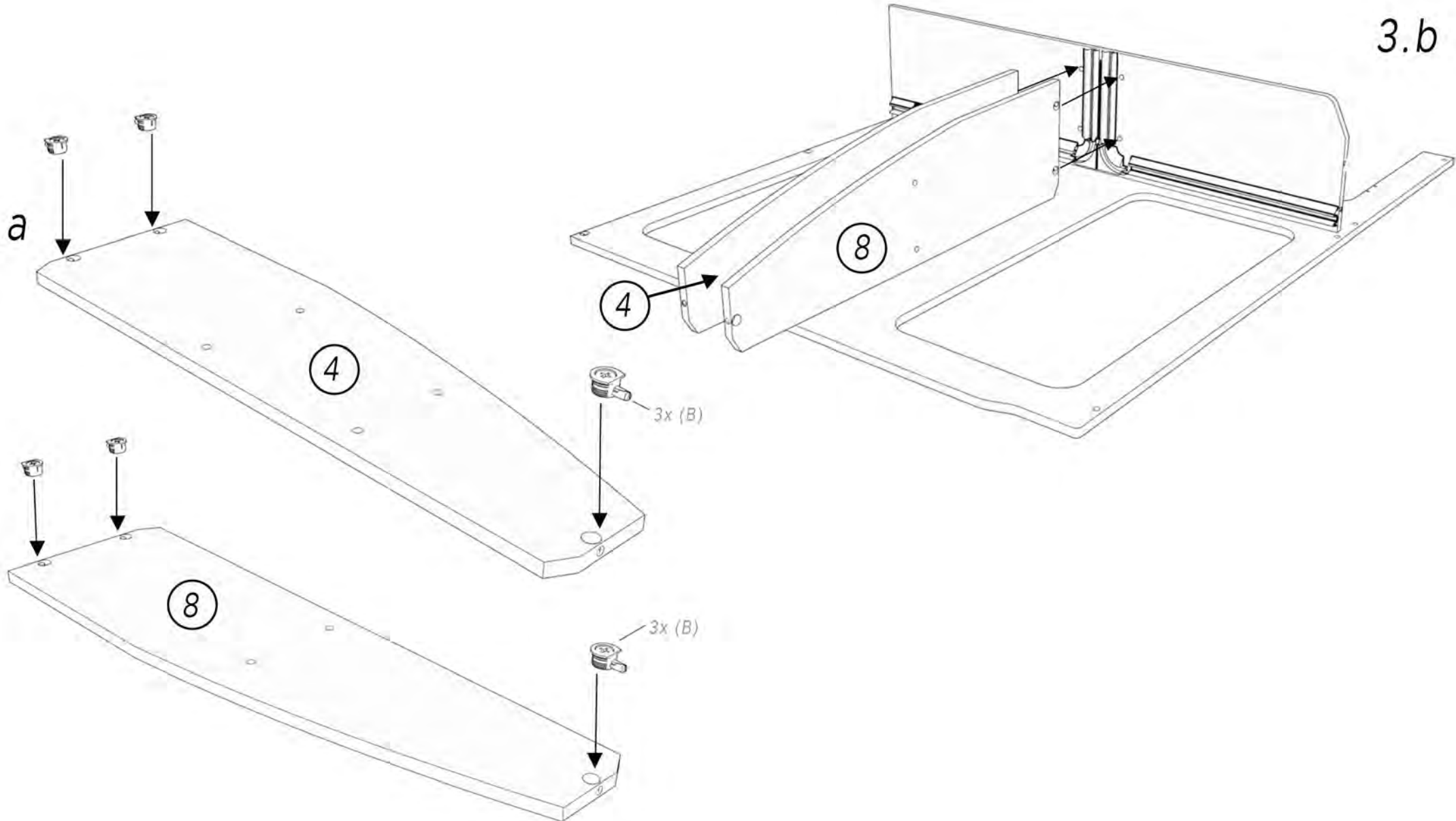
180°

3.

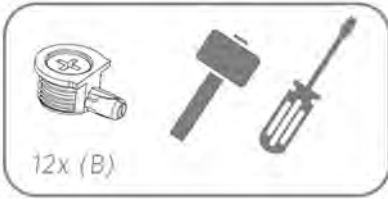


3.b

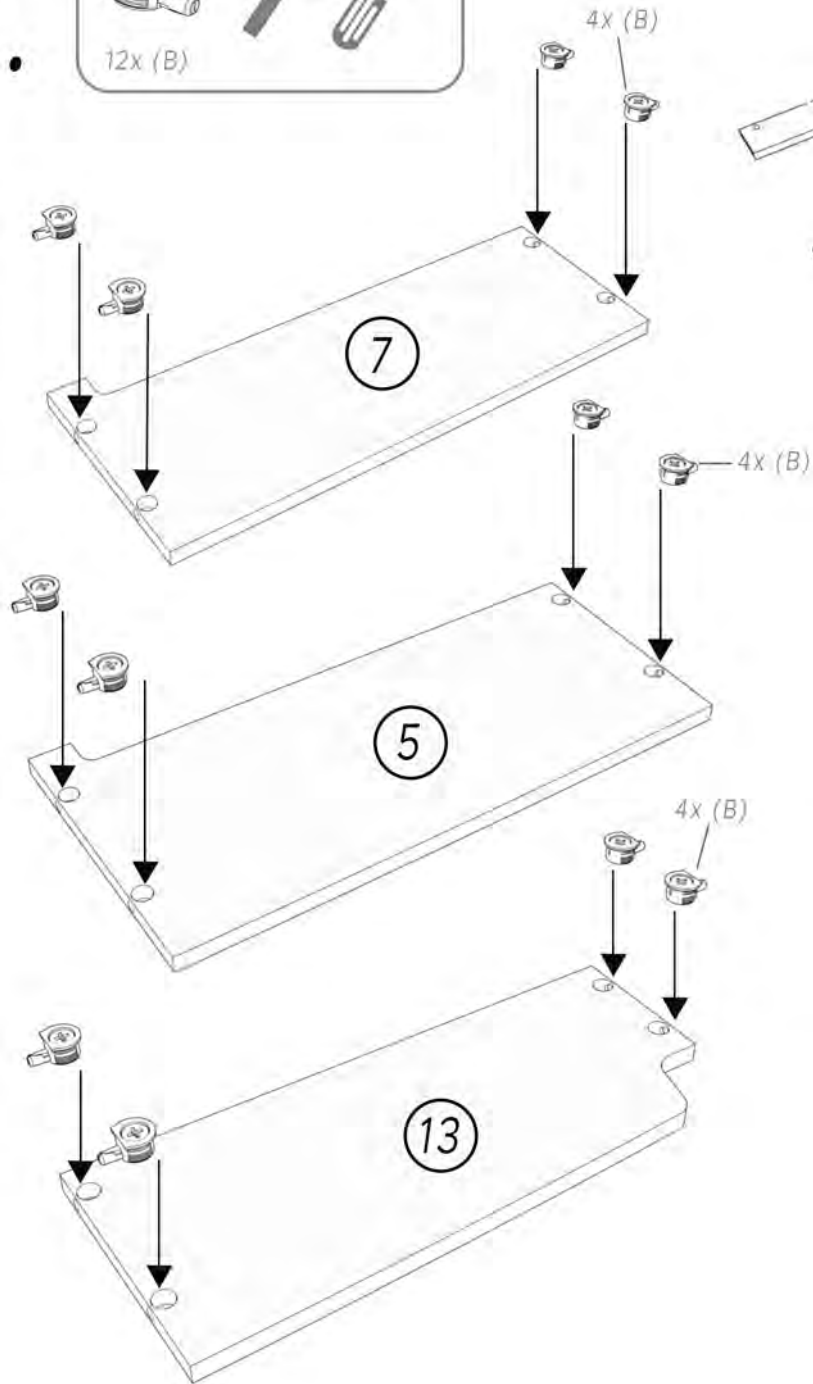
3.a



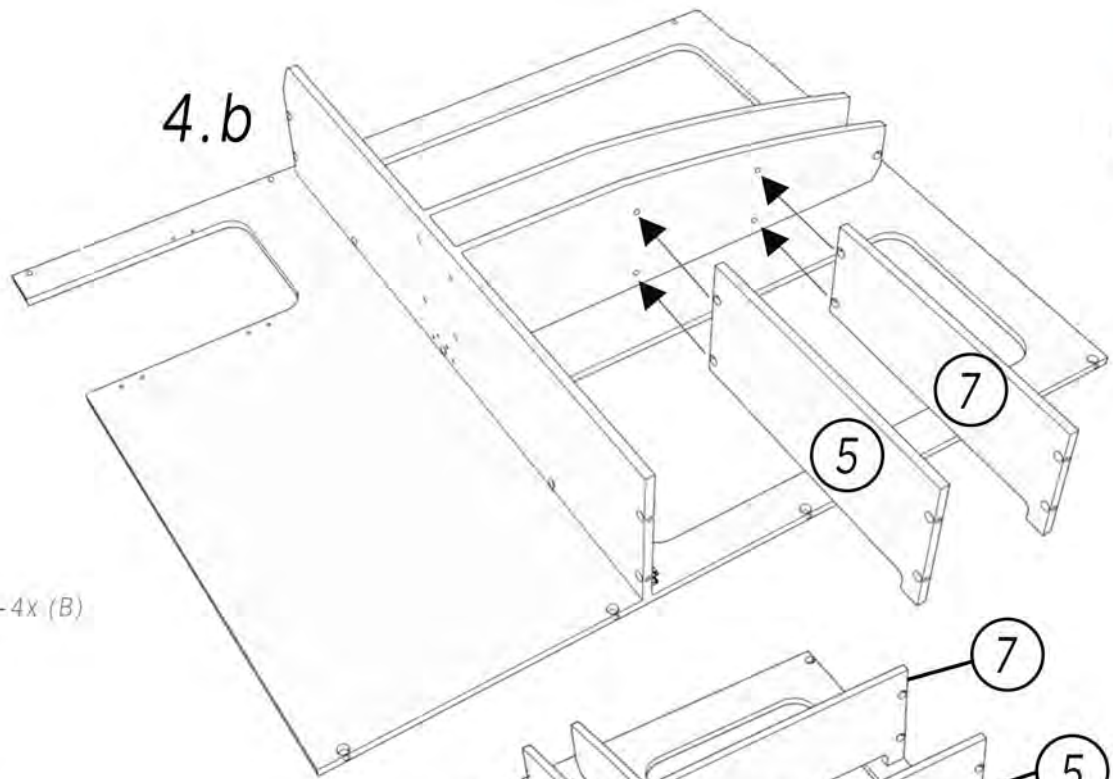
4.



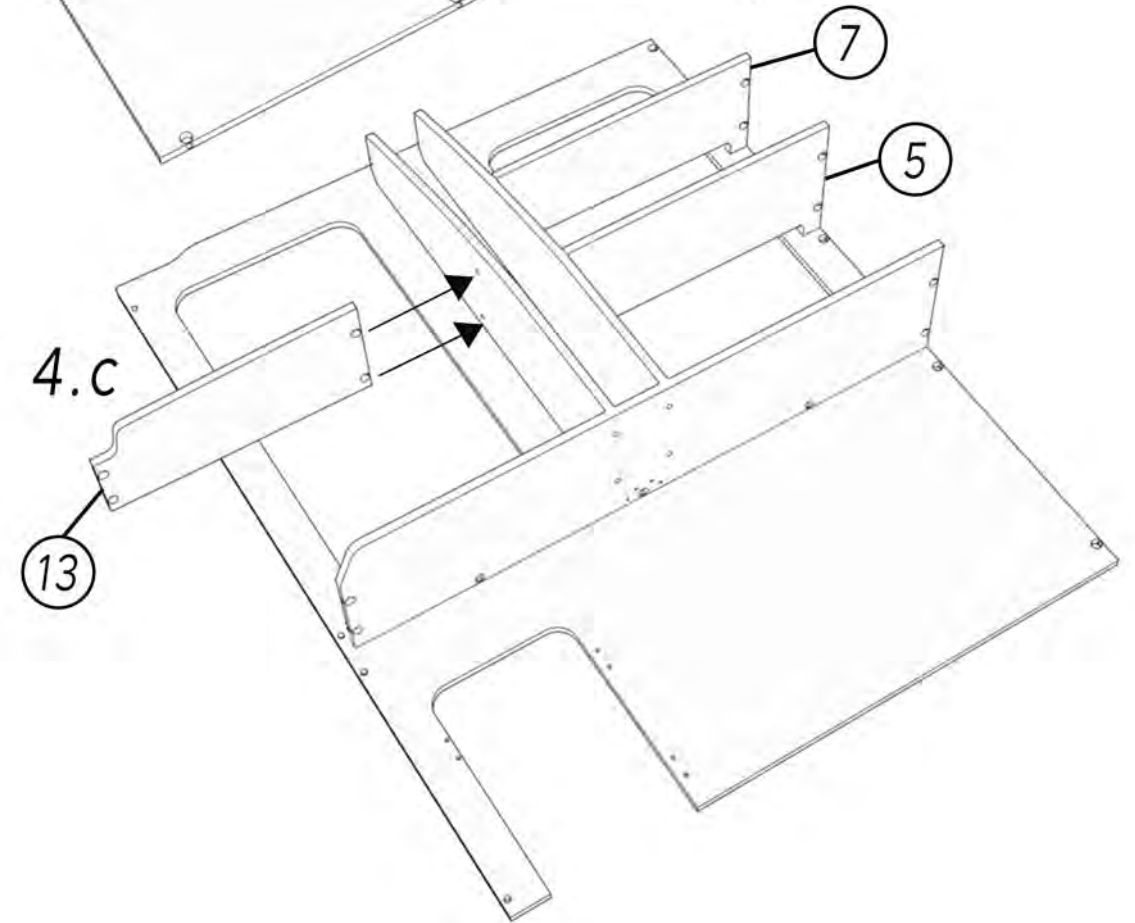
4.a



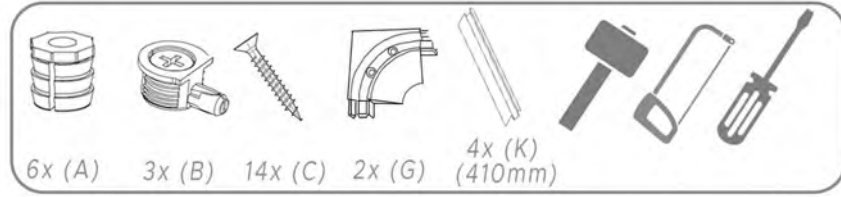
4.b



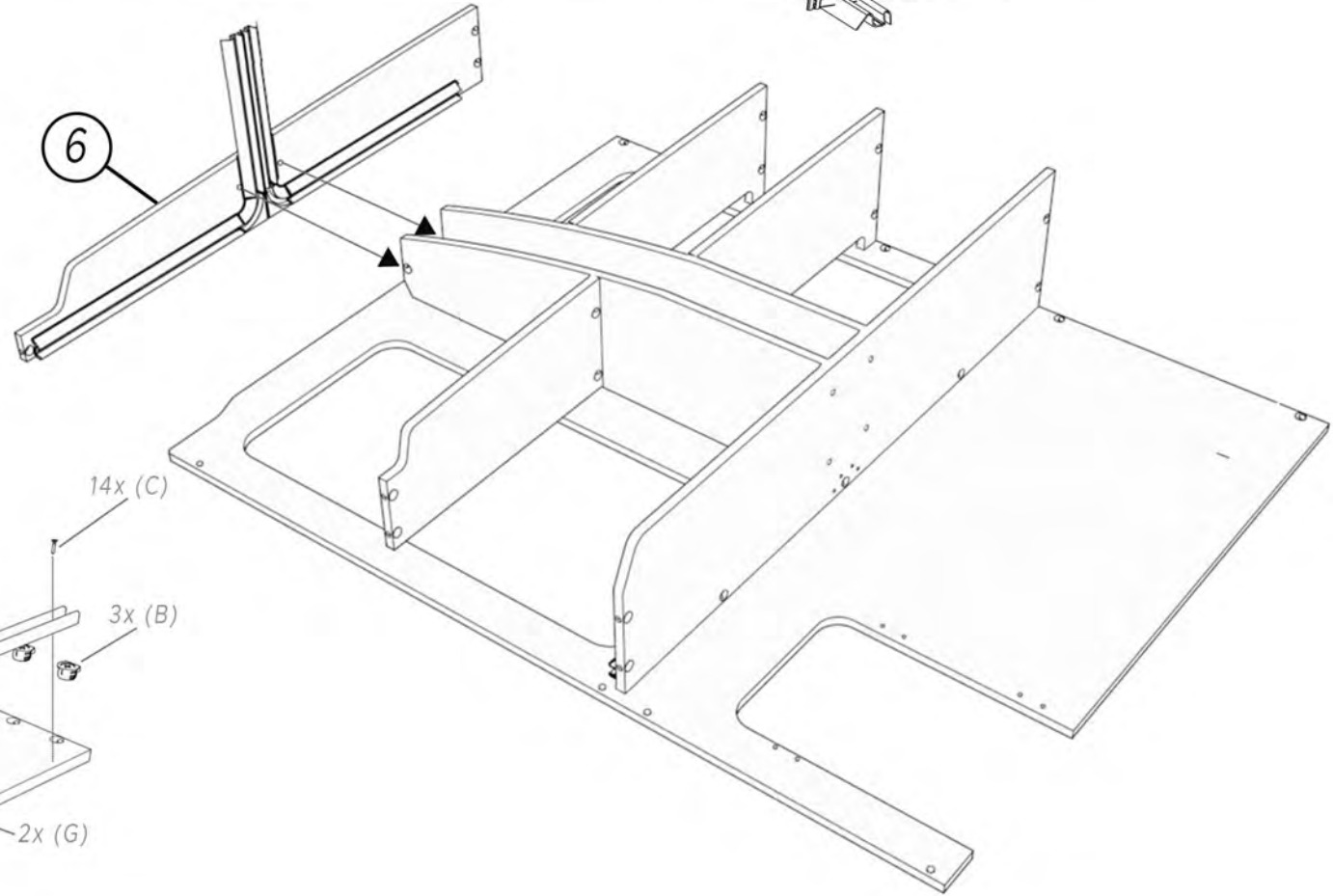
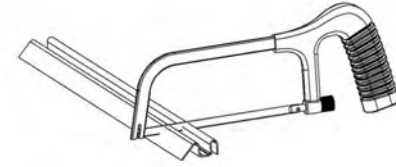
4.c



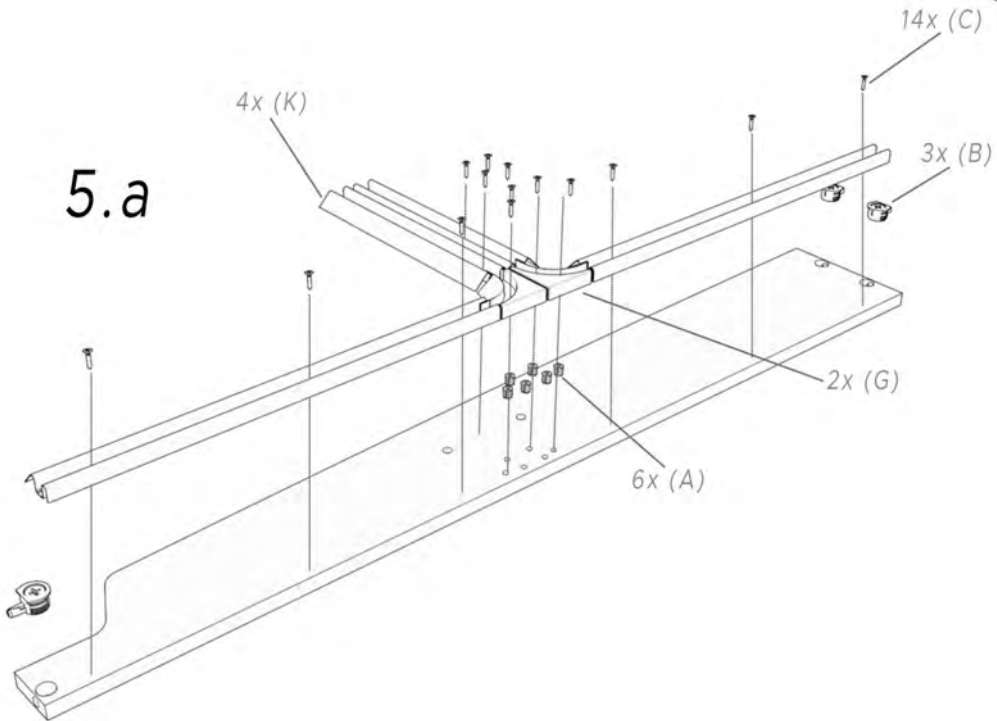
# 5.



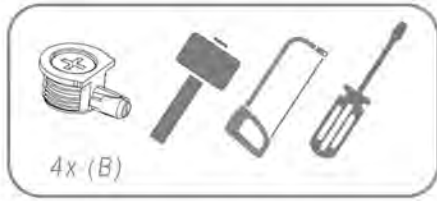
## 5.b



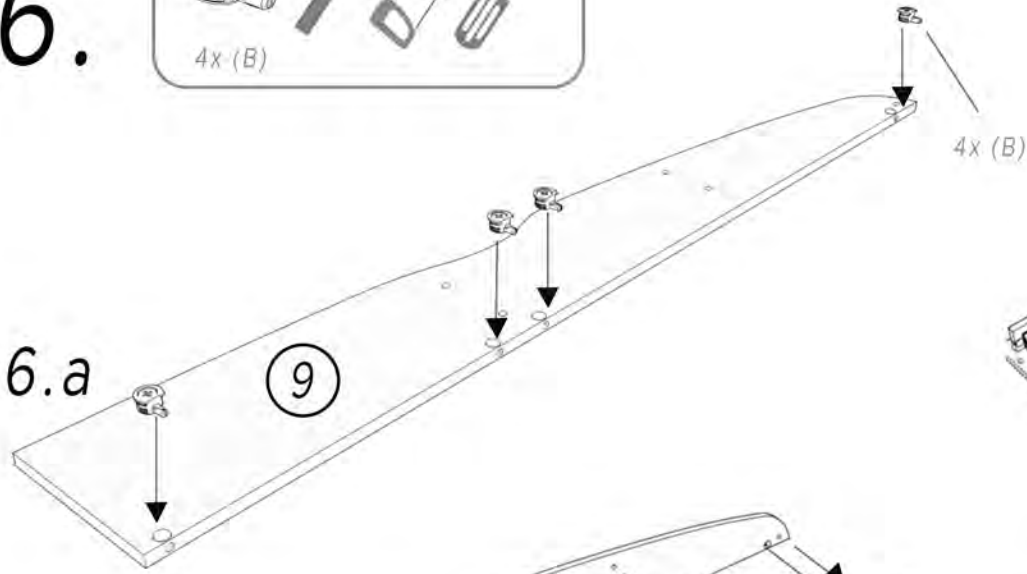
## 5.a



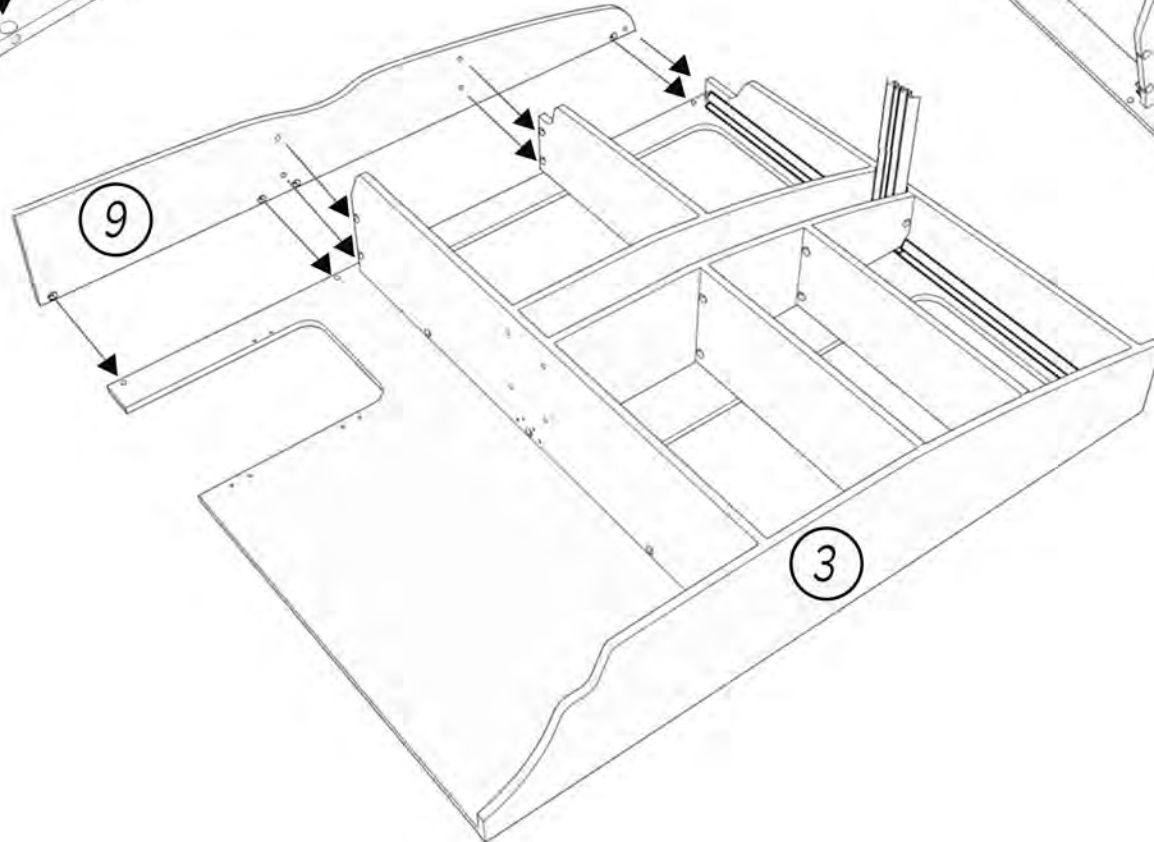
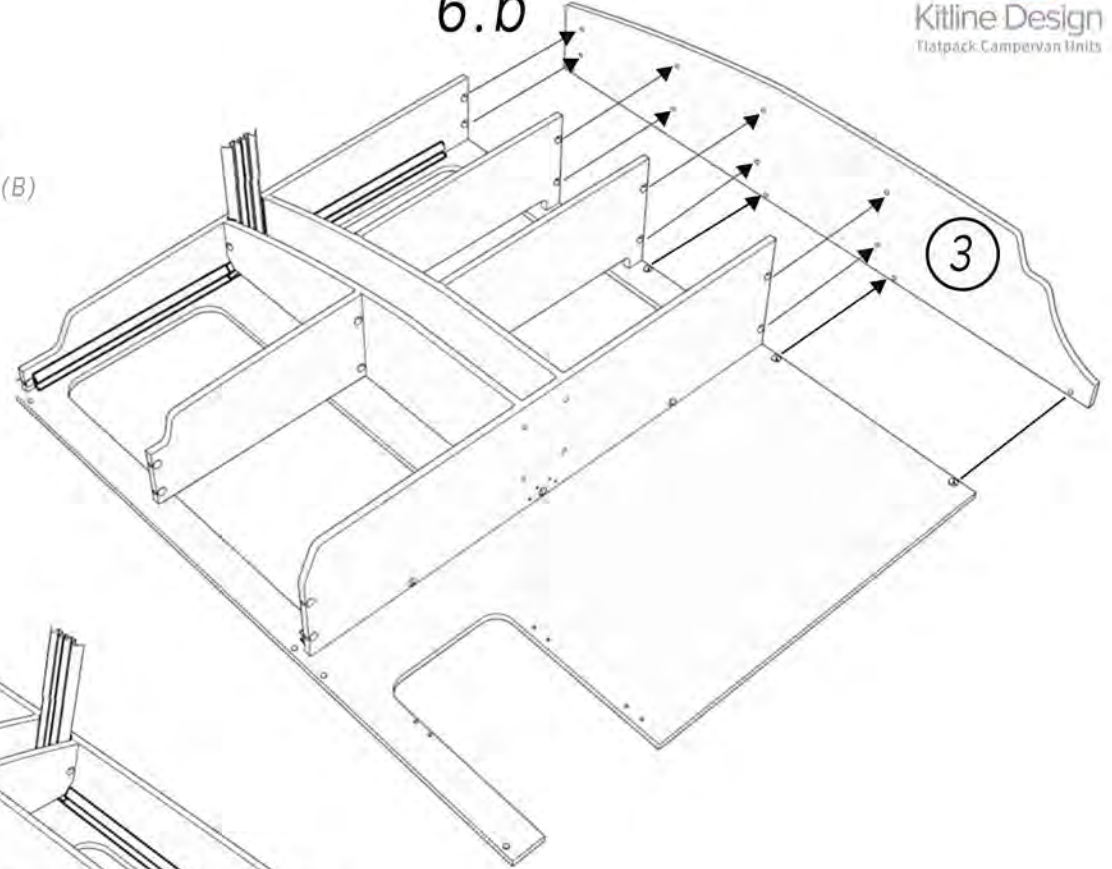
6.



6.a



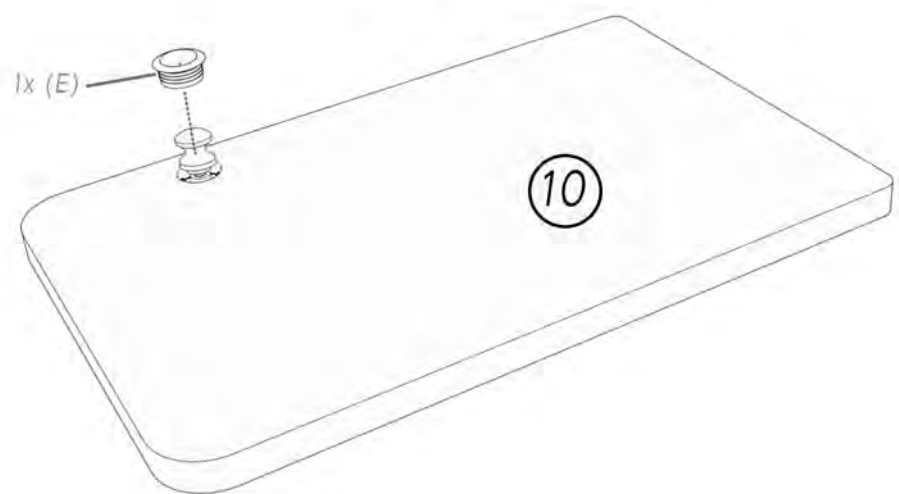
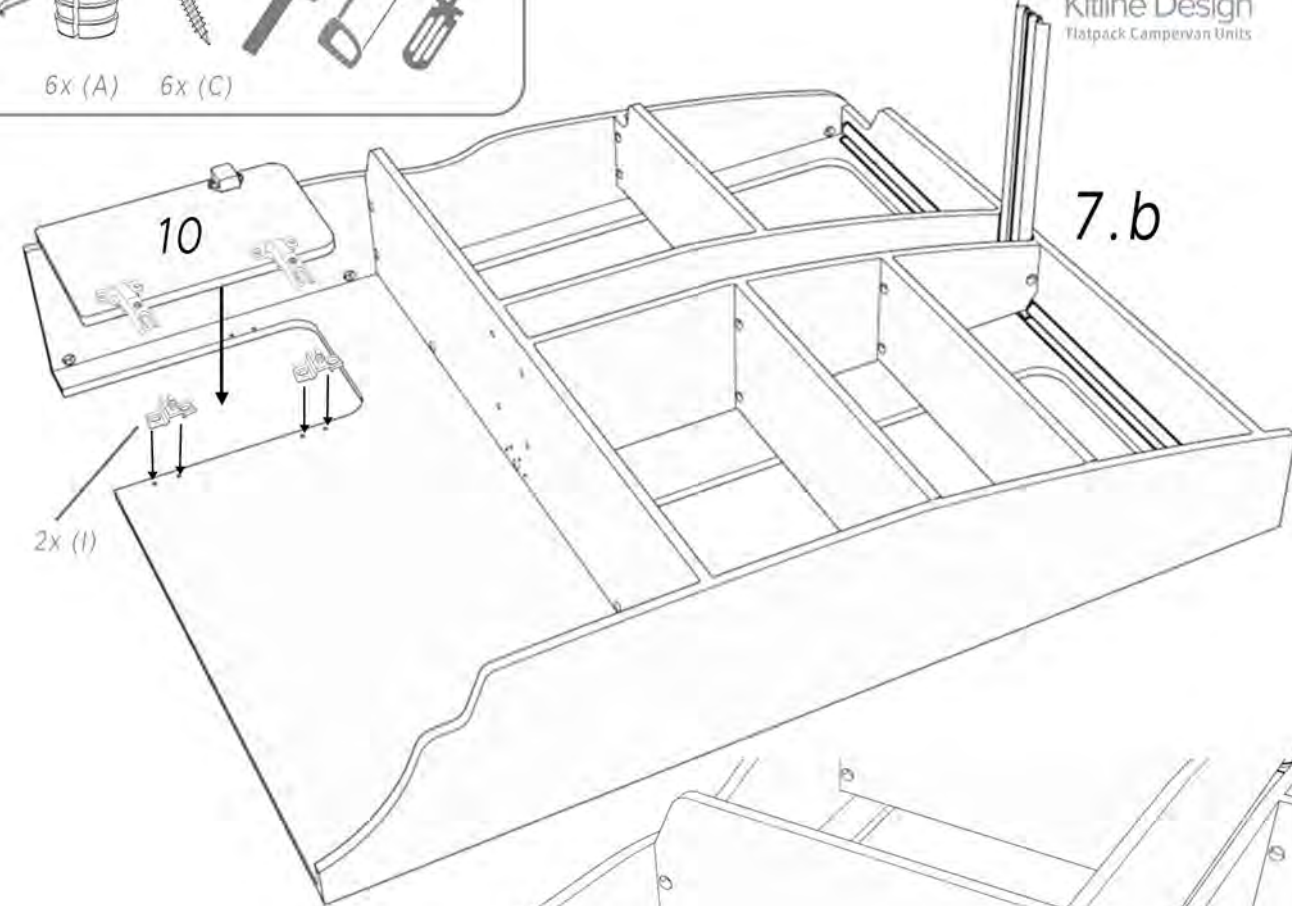
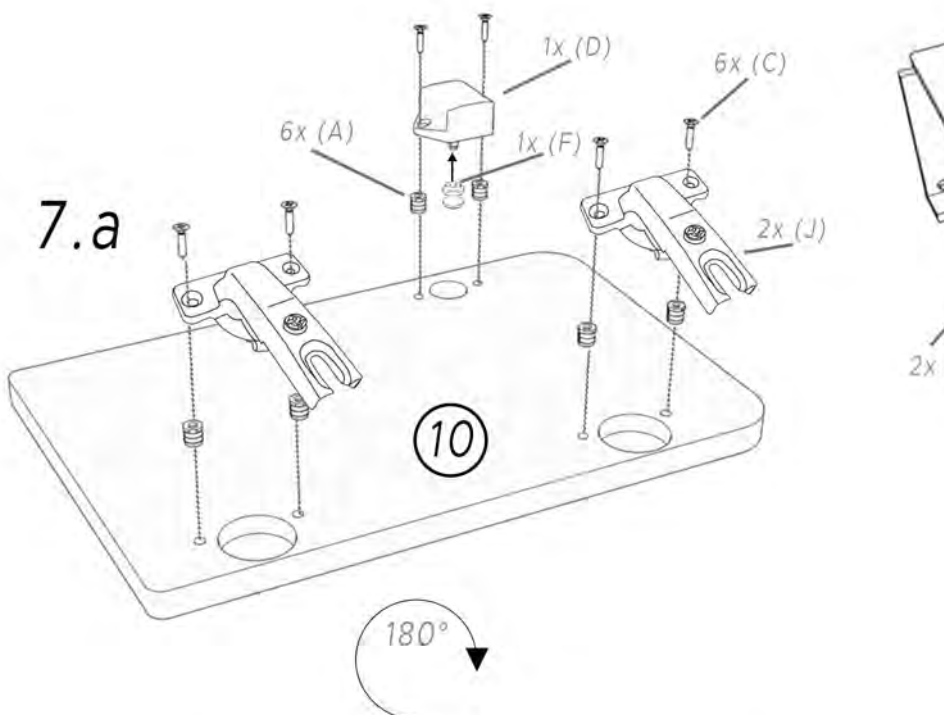
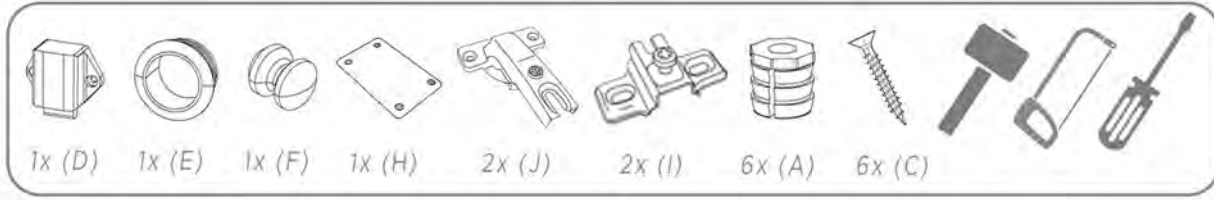
6.b



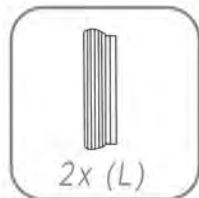




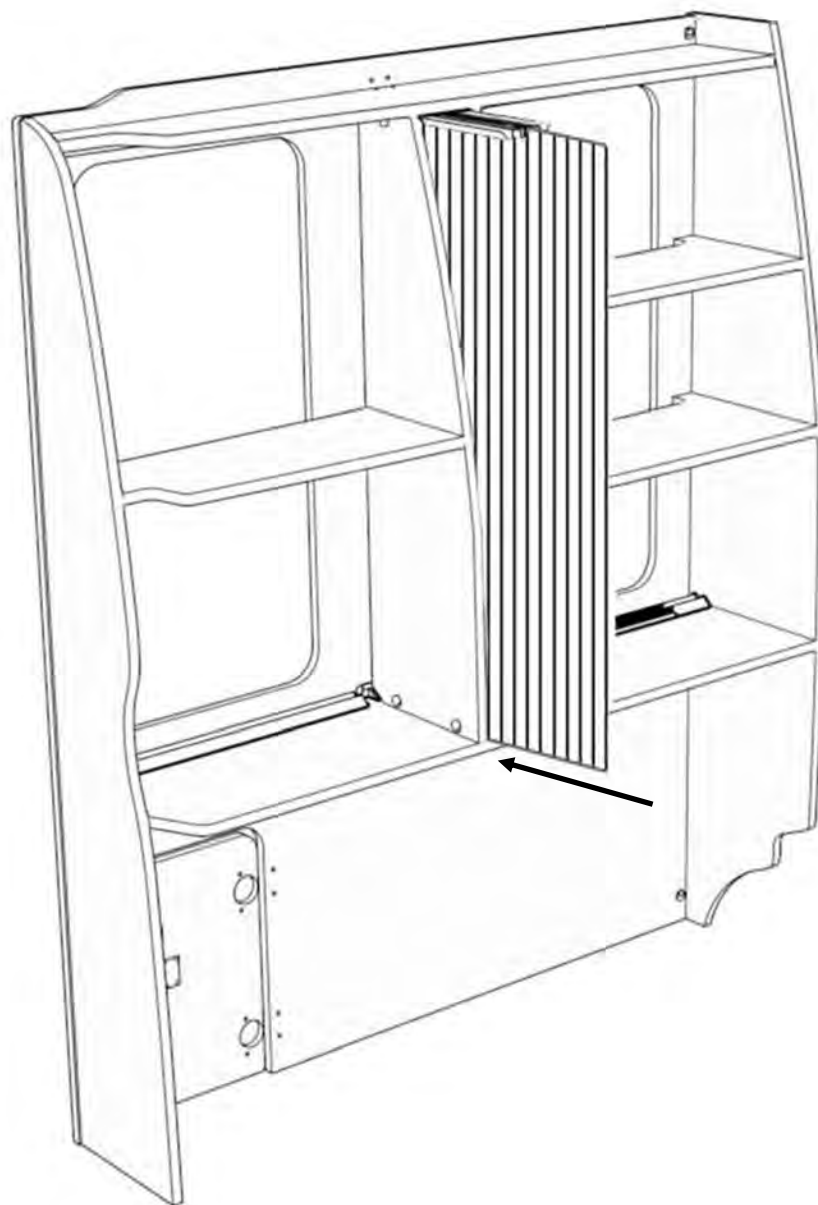
# 7.



8.



8.a



*Tambour doors must be fitted  
**BEFORE** installing the wardrobe  
into the van.*